



Installation Guide



PILL WINDOW TRIM (ALL) UN3007-10B, UN3015B

All Flatline Van Co products must be properly assembled and secured before attaching to your vehicle. Improper attachment could result in an automobile accident, and could cause serious bodily injury or death to you or to others involved. You are responsible for assembling and securing flatline van co products to your vehicle, checking the mounting points and attachments prior to use, and regularly inspecting the products for wear and or damage. We always recommend you use a professional to install any aftermarket accessories to your vehicle. If you have no mechanical experience and are not thoroughly familiar with the installation procedures, you must have the product installed by a professional installer or other qualified persons. The responsibility is yours and must be taken seriously for everyone's safety.



thanks.

THANK YOU!

ARE YOU EXCITED ABOUT YOUR NEW PILL WINDOW TRIM? HERE ARE A FEW THINGS TO DO BEFORE BEGINNING THE INSTALLATION PROCESS--

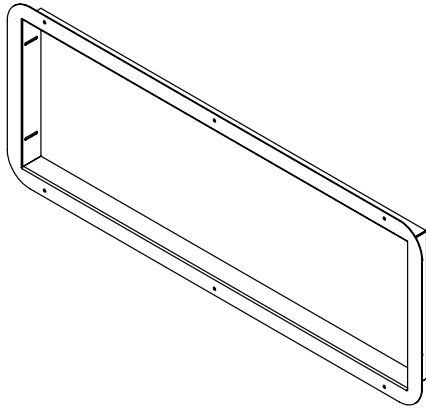
- PLEASE INSPECT THE PRODUCT TO ENSURE THERE WAS NO DAMAGE INCURRED DURING SHIPPING.
- IF THERE IS DAMAGE TO REPORT, PLEASE CONTACT OUR CUSTOMER SERVICE DEPARTMENT AS SOON AS POSSIBLE.
- NEXT, USING THE "PACKAGE CONTENTS" PAGE, CHECK INVENTORY AND FAMILIARIZE YOURSELF WITH THE PARTS AND HARDWARE.
- GATHER ALL TOOLS REQUIRED FOR INSTALL.
 - 3/32 HEX KEY ALLEN WRENCH
 - POWER DRILL OR IMPACT
- **WE DO NOT PROVIDE THE SIX (6) SCREWS REQUIRED TO MOUNT THE OUTER TRIM TO YOUR WALL PANEL.** WE LEAVE THE FINISH STYLE UP TO YOU.

TOOLS

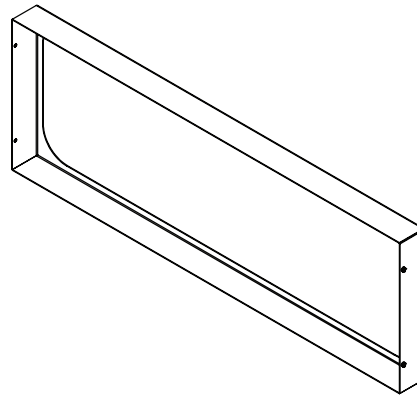


3/32 ALLEN KEY

PACKAGE CONTENTS



OUTER TRIM
QTY-1



INNER TRIM
QTY-1



8-32 HEX DRIVE
SCREW
QTY-4



STICKER PACK
QTY-1

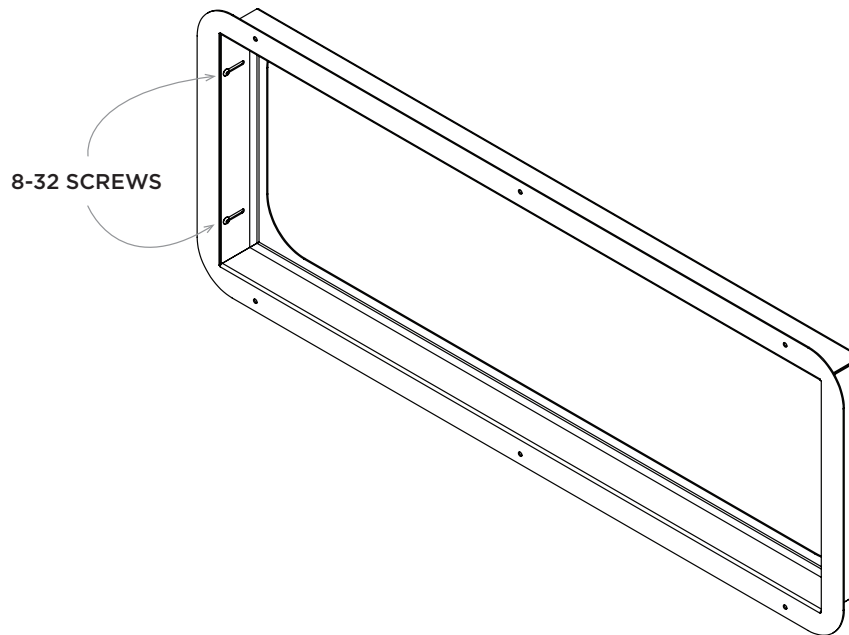
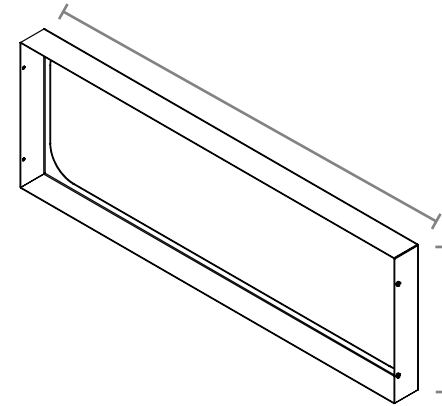


INSTALLATION GUIDE
QTY-1

LET'S GET STARTED!

1. THE FIRST STEP OF THE PROCESS IS TO CUT THE HOLE IN YOUR WALL FOR THE PILL TRIM. THIS PROCESS IS UP TO YOU TO DECIDE ON HOW TO ACHIEVE. TO ATTAIN THE DIMENSIONS FOR YOUR CUTOUT SIZE, MEASURE THE OUTSIDE DIMENSIONS OF THE INNER TRIM PIECE, THEN ADD .25" TO THE LENGTH AND WIDTH FOR TOLERANCE SEE **FIGURE 1**.
2. ONCE YOU HAVE THE WALL CUTOUT COMPLETED, GRAB BOTH INNER AND OUTER PANS, AND LOOSELY BOLTS THEM TOGETHER USING THE SUPPLIED 8-32 SCREWS.
3. NEXT, GRAB THE ENTIRE ASSEMBLY AND PUT IT INTO YOUR WALL. PUSH THE INNER TRIM PIECE BACK UNTIL IT CONTACTS THE OUTSIDE WALL AND IS CENTERED AROUND YOUR WINDOW. THEN SCREW THE TRIM TO YOUR WALL PANEL USING THE 6 PRECUT HOLES ON THE OUTSIDE TRIM PIECE. ONCE SECURED, ONCE MORE PUSH THE INNER TRIM PIECE SNUG TO YOUR WALL AND TIGHTEN DOWN THE 8-32 SCREWS.

FIGURE 1



GET OUT AND EXPLORE!

LEAVE US A REVIEW

Happy with your new FVC product? We would love to hear (and see) from you! Head to the product page and click "Leave Review." Add a short review and upload a few photos to be showcased on the product page.

SHARE YOUR PHOTOS WITH US

We love seeing how our customers use their FVC products and following along with your adventures. Tag us in your photos with @flatlinevanco or send them to us via email. We love posting customer pictures in our feed!

CUSTOMER SUPPORT

If you are having any issues with your product, please reach out, and we will make it right. FVC is a company of van and outdoor enthusiasts that design and use our own products, so we want you to be as stoked on your new parts as we are!



@flatlinevanco



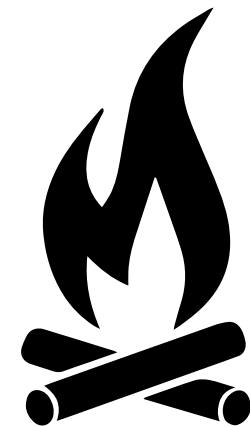
facebook.com/flatlinevanco



youtube.com/c/flatlinevanco



support@flatlinevanco.com



thanks!