



Installation Guide



**Pull Out Tray
UN3005B**

All Flatline Van Co products must be properly assembled and secured before attaching to your vehicle. Improper attachment could result in an automobile accident, and could cause serious bodily injury or death to you or to others involved. You are responsible for assembling and securing Flatline Van Co products to your vehicle, checking the mounting points and attachments prior to use, and regularly inspecting the products for wear and or damage. We always recommend you use a professional to install any aftermarket accessories to your vehicle. If you have no mechanical experience and are not thoroughly familiar with the installation procedures, you must have the product installed by a professional installer or other qualified persons. The responsibility is yours and must be taken seriously for everyone's safety.



thanks.

THANK YOU!

ARE YOU EXCITED ABOUT YOUR NEW PULL OUT TRAY? HERE ARE A FEW THINGS TO DO BEFORE BEGINNING THE INSTALLATION PROCESS--

- PLEASE INSPECT THE PRODUCT TO ENSURE THERE WAS NO DAMAGE INCURRED DURING SHIPPING.
- IF THERE IS DAMAGE TO REPORT, PLEASE CONTACT OUR CUSTOMER SERVICE DEPARTMENT AS SOON AS POSSIBLE.
- NEXT, USING THE “PACKAGE CONTENTS” PAGE, CHECK INVENTORY AND FAMILIARIZE YOURSELF WITH THE PARTS AND HARDWARE.
- GATHER ALL TOOLS REQUIRED FOR INSTALL.
TOOLS WILL BE DEPENDENT ON YOUR INSTALL METHOD

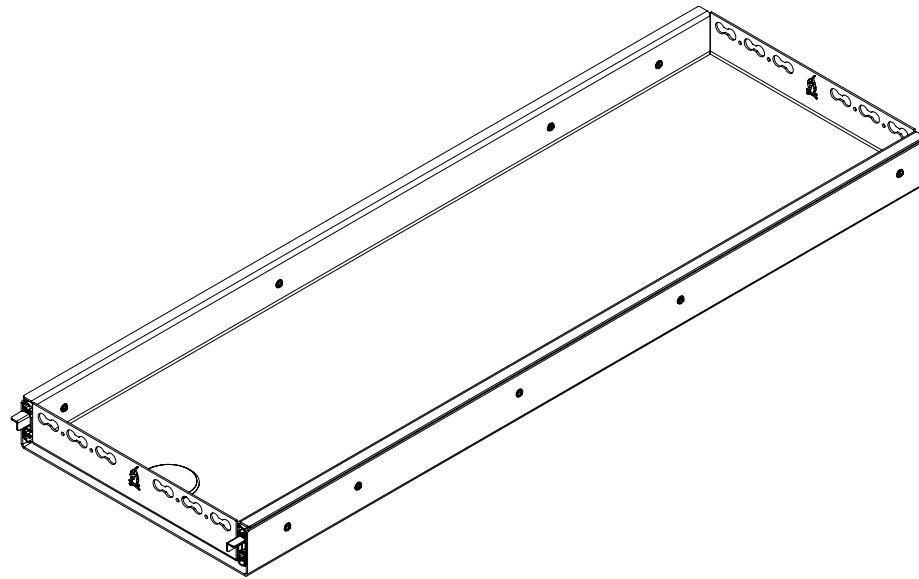
ESTIMATED INSTALL TIME- 1 HR

ADDITIONAL HELP IS SUGGESTED FOR A FEW OF THE INSTALL STEPS.

***NOTE-
NO HARDWARE IS INCLUDED TO SECURE THE PULLOUT TRAY TO YOUR VAN. WE
SUGGEST APPROPRIATE HARDWARE IN THE PAGES THAT FOLLOW.***

TOOLS

PACKAGE CONTENTS



PULL OUT TRAY

QTY - 1

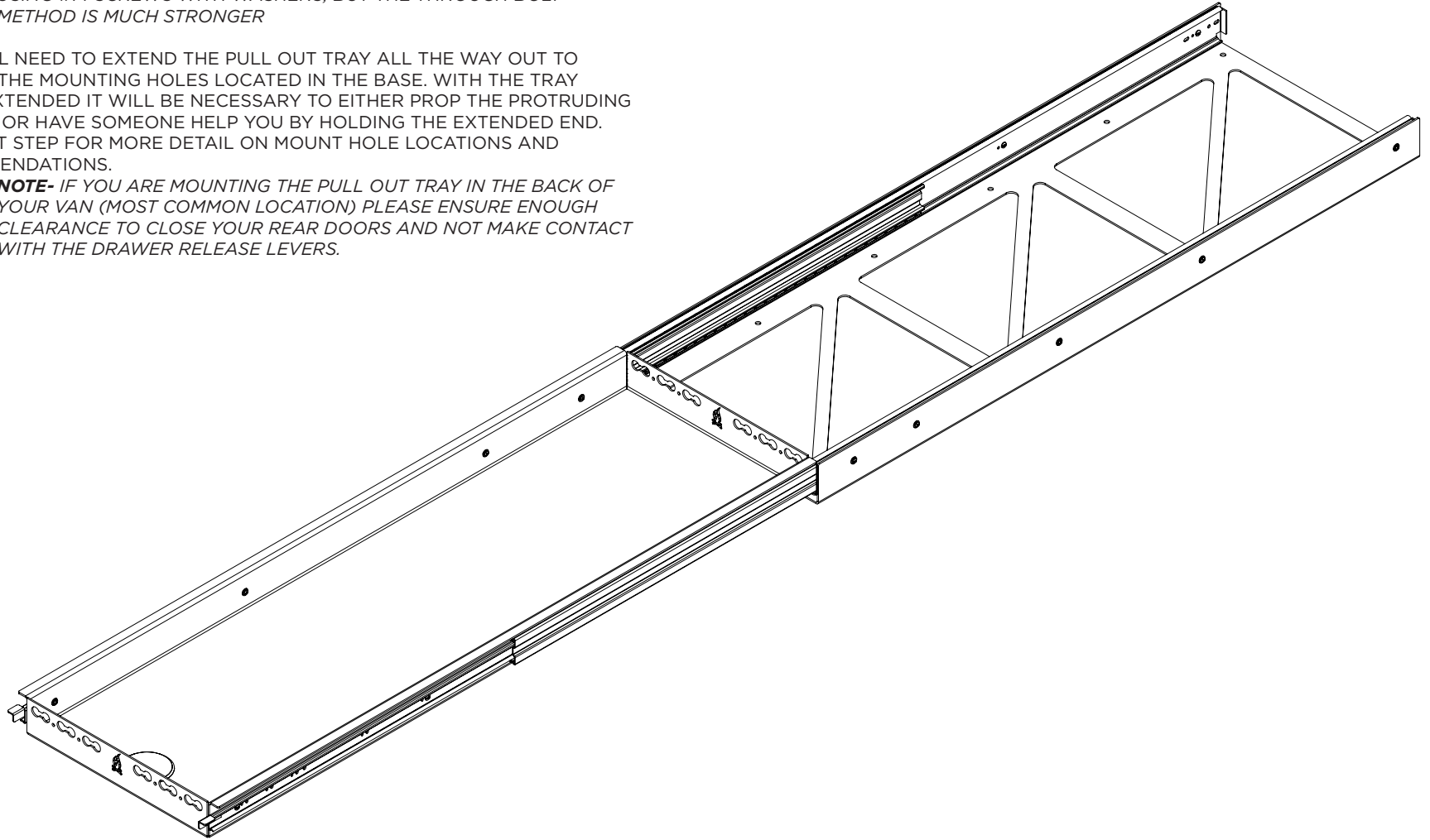
LET'S GET STARTED!

1. OUR RECOMMENDED INSTALL METHOD TO ENSURE YOU CAN SAFELY LOAD THE MAXIMUM CAPACITY REQUIRES DRILLING ALL THE WAY THROUGH YOUR FLOOR TO THE BOTTOM OF THE VAN AND THROUGH BOLTING (3/8 BOLT, WASHER, THROUGH PULL OUT TRAY AND FLOOR, LARGE FENDER WASHER, NYLOCK NUT) THIS METHOD REQUIRES MAPPING OUT YOUR INSTALL LOCATION AND ENSURING YOU ARE DRILLING IN A SAFE PLACE THAT WON'T PENETRATE WIRES/BRAKE LINES/FUEL TANKS/ETC.

NOTE- IF YOU HAVE A SUBFLOOR INSTALLED IN YOUR VAN THAT IS 3/4" OR THICKER YOU MAY BE ABLE TO SCREW DIRECTLY INTO THAT USING #14 SCREWS WITH WASHERS, BUT THE THROUGH BOLT METHOD IS MUCH STRONGER

2. YOU WILL NEED TO EXTEND THE PULL OUT TRAY ALL THE WAY OUT TO REVEAL THE MOUNTING HOLES LOCATED IN THE BASE. WITH THE TRAY FULLY EXTENDED IT WILL BE NECESSARY TO EITHER PROP THE PROTRUDING TRAY UP OR HAVE SOMEONE HELP YOU BY HOLDING THE EXTENDED END. SEE NEXT STEP FOR MORE DETAIL ON MOUNT HOLE LOCATIONS AND RECOMMENDATIONS.

NOTE- IF YOU ARE MOUNTING THE PULL OUT TRAY IN THE BACK OF YOUR VAN (MOST COMMON LOCATION) PLEASE ENSURE ENOUGH CLEARANCE TO CLOSE YOUR REAR DOORS AND NOT MAKE CONTACT WITH THE DRAWER RELEASE LEVERS.

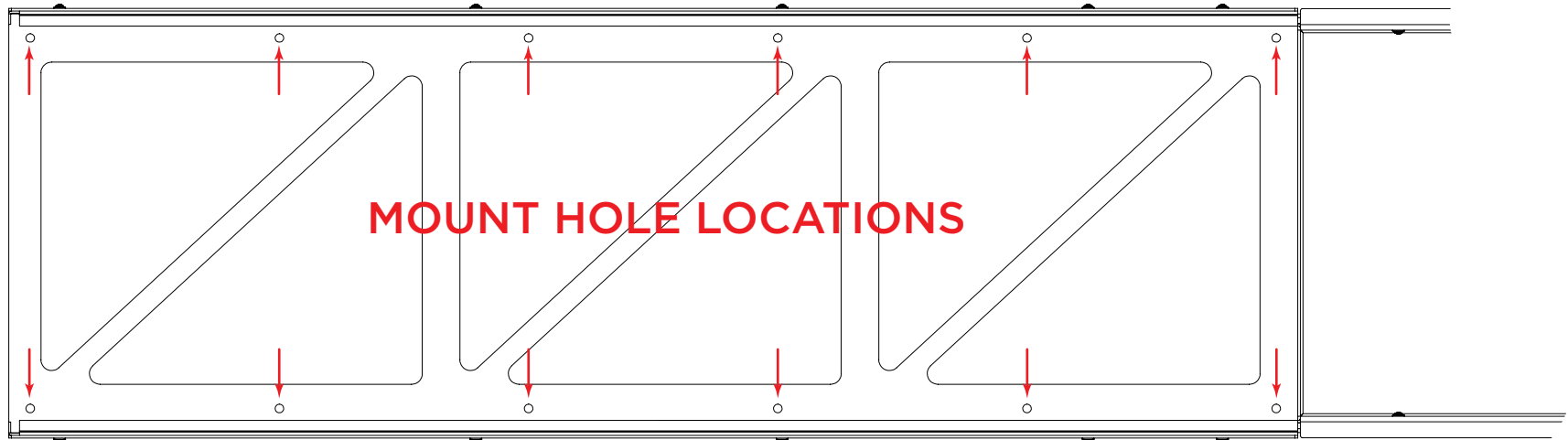


3. THERE ARE A NUMBER OF MOUNT HOLE LOCATIONS LASER CUT INTO THE MOUNT BASE. WE RECOMMEND A MINIMUM OF 6 FASTENERS TO SECURE THE PULL OUT TRAY.

NOTE- THE MOST SECURE METHOD TO FASTEN WOULD BE TO PLACE A FASTENER IN EACH CORNER AND TWO IN THE CENTER LOCATIONS.

4. DOUBLE CHECK ALL OF YOUR MEASUREMENTS AND FITMENT AND ENSURE THAT THERE WILL BE NO OBSTRUCTIONS DURING OPERATION OF THE PULL OUT TRAY.

**SIZED FOR UP TO 3/8" FASTENER
WASHER REQUIRED FOR SMALLER FASTENERS**



SERVICE & MAINTENANCE

1. IF THE SLIDE MOUNT SCREWS ON YOUR PULLOUT TRAY COME LOOSE; SLIDE THE TRAY OUT TO EXPOSE THE SCREWS FROM THE INSIDE. YOU MAY NEED TO MOVE THE INNER SLIDE MECHANISM AROUND TO GET THE ACCESS WINDOW TO LINE UP WITH EACH SCREW.

NOTE- EVERY MOUNT SCREW IS ACCESSIBLE FROM THE INSIDE BY MOVING THE INNER SLIDE MECHANISM BACK AND FORTH. OUR CUSTOMER SERVICE TEAM CAN PROVIDE A VIDEO DEMONSTRATING THIS, PLEASE REACH OUT IF YOU NEED IT.

2. OCCASIONAL VACUUMING AND CLEANING OF THE INSIDE OF THE PULL TRAY WILL EXTEND THE LIFE OF THE DRAWER SLIDES AND ENSURE SMOOTH OPERATION.



**ACCESS HOLE FOR
SLIDE MOUNT SCREWS**

**MOVE THE INNER SLIDE
INDEPENDENTLY TO ACCESS
ALL SCREWS**

GET OUT AND EXPLORE!

LEAVE US A REVIEW

Happy with your new FVC product? We would love to hear (and see) from you! Head to the product page and click "Leave Review." Add a short review and upload a few photos to be showcased on the product page.

SHARE YOUR PHOTOS WITH US

We love seeing how our customers use their FVC products and following along with your adventures. Tag us in your photos with @flatlinevanco or send them to us via email. We love posting customer pictures in our feed!

CUSTOMER SUPPORT

If you are having any issues with your product, please reach out, and we will make it right. FVC is a company of van and outdoor enthusiasts that design and use our own products, so we want you to be as stoked on your new parts as we are!



@flatlinevanco



facebook.com/flatlinevanco



youtube.com/c/flatlinevanco



support@flatlinevanco.com



thanks!