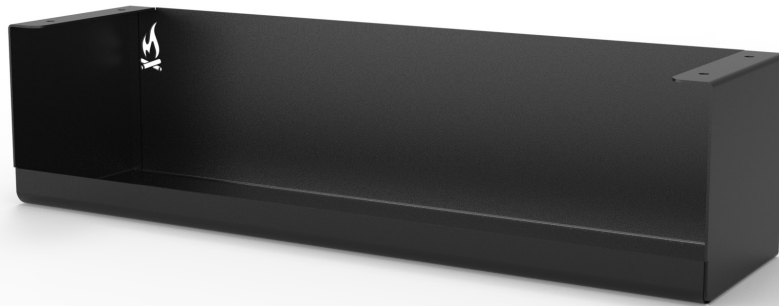




INSTALLATION GUIDE

UNIVERSAL UNDER CABINET SHELF - 6" AND 3.5"

UN1133B + UN1138B



TOOLS REQUIRED (NOT INCLUDED)

- + 3/16" DRILL BIT
- + POWER DRILL
- + 5/32" ALLEN WRENCH
- + 7/16" WRENCH OR SOCKET

INSTALL INFO

TIME TO INSTALL THIS PRODUCT: 30 MINUTES

Additional help is suggested for a few of the install steps.

BEFORE YOU START

Please inspect the product and packaging upon delivery to ensure there are no issues and that all parts and hardware are accounted for.

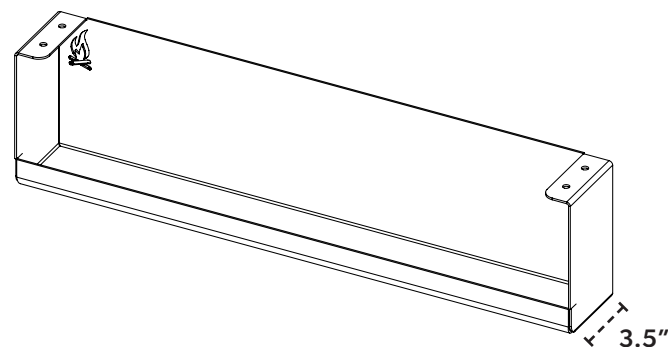
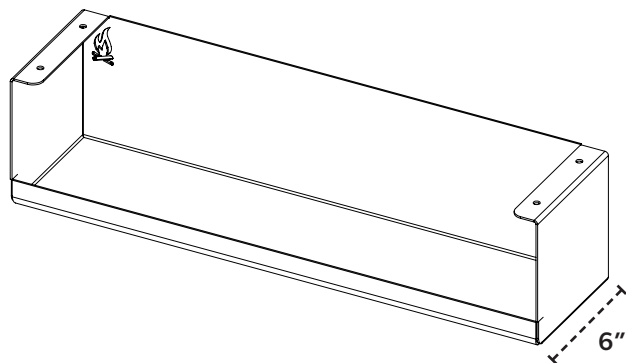
Contact us ASAP if anything is missing at:
support@flatlinevanco.com

BEFORE YOU START

All Flatline Van Co products must be properly assembled and secured before attaching to your vehicle. Improper attachment could result in an automobile accident, and could cause serious bodily injury or death to you or to others involved. You are responsible for assembling and securing Flatline Van Co products to your vehicle, checking the mounting points and attachments prior to use, and regularly inspecting the products for wear and or damage. We always recommend you use a professional to install any aftermarket accessories to your vehicle. If you have no mechanical experience and are not thoroughly familiar with the installation procedures, you must have the product installed by a professional installer or other qualified persons. The responsibility is yours and must be taken seriously for everyone's safety.



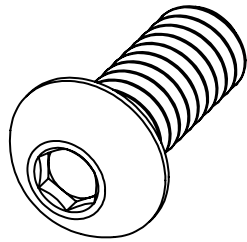
PACKAGE CONTENTS



UNDER CABINET SHELF (6" OR 3.5")

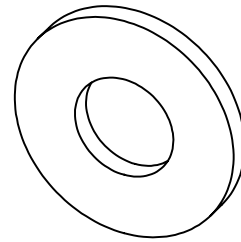
QTY: 1

HARDWARE



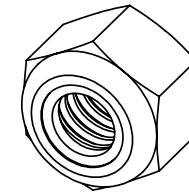
1/4-20 X 0.625 BUTTON
HEAD HEX DRIVE SCREW

QTY: 4



1/4 SCREW FLAT WASHER

QTY: 4



1/4-20 NYLON INSERT
LOCKNUT

QTY: 4

TOOLS REQUIRED FOR THIS STEP:

STEP | 01 LAYOUT AND INSTALL PREP

1.1 Product Compatibility: The **Universal Under Cabinet Shelf** is designed to be installed alongside **FVC Upper Cabinets**. If you are planning to install these to a Cabinet or Structure other than an FVC Cabinet, make sure to dry-fit and double check your fitment before proceeding.

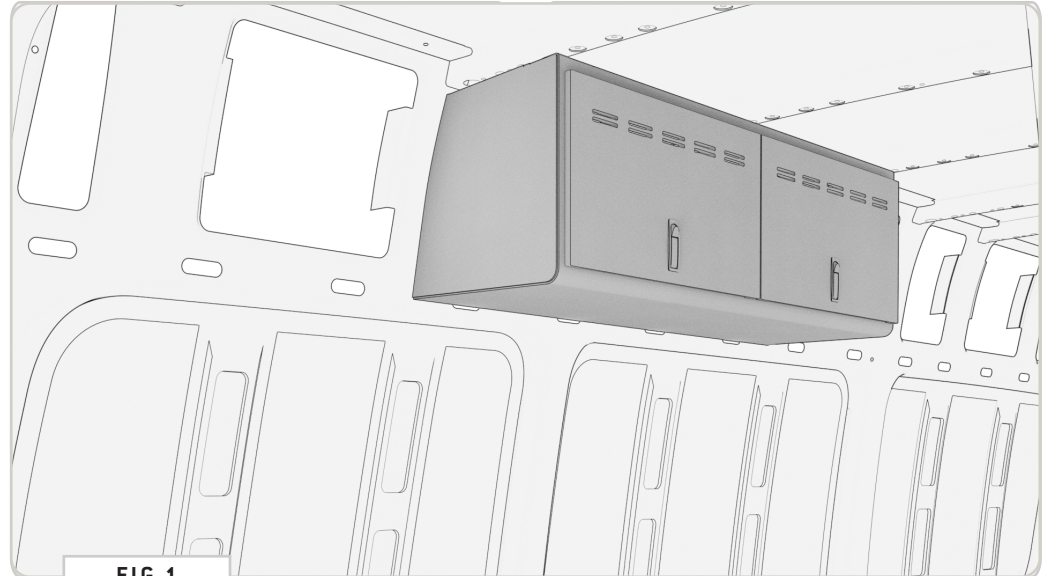


FIG 1



FIG 2

TOOLS REQUIRED FOR THIS STEP: + MEASURING TAPE

STEP | 01 LAYOUT AND INSTALL PREP

1.2 Dry-Fit Shelf: With help or proper supports, layout your desired mounting location and dry-fit the **Under Cabinet Shelf** to the bottom of your **Cabinet** (FIG 3-4).

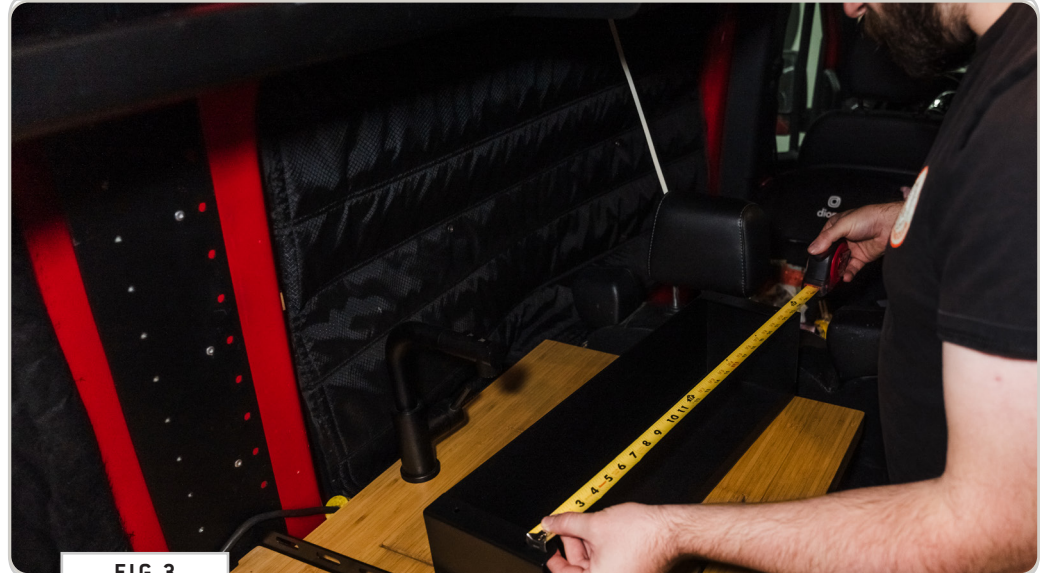


FIG 3

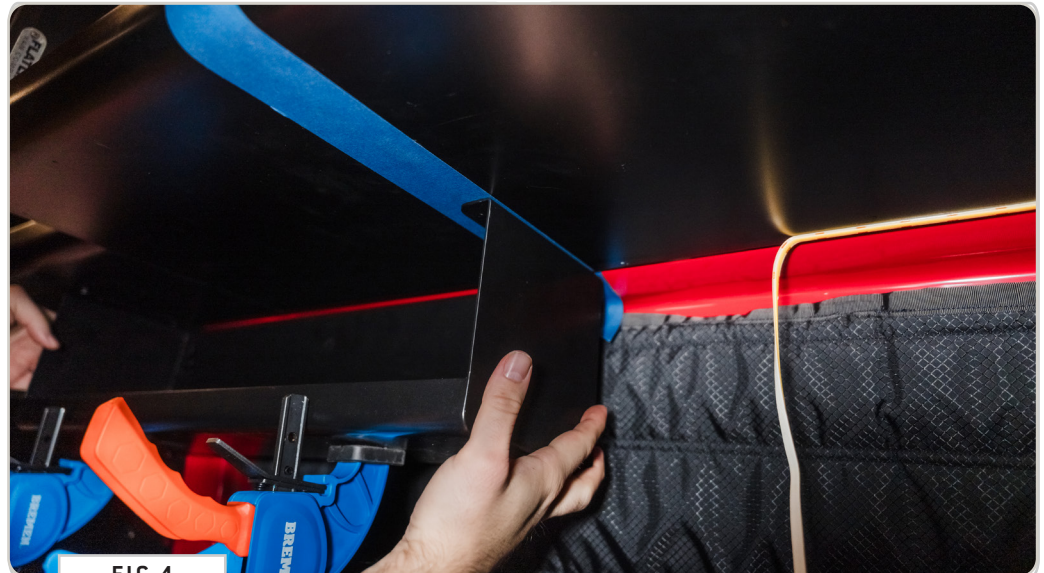


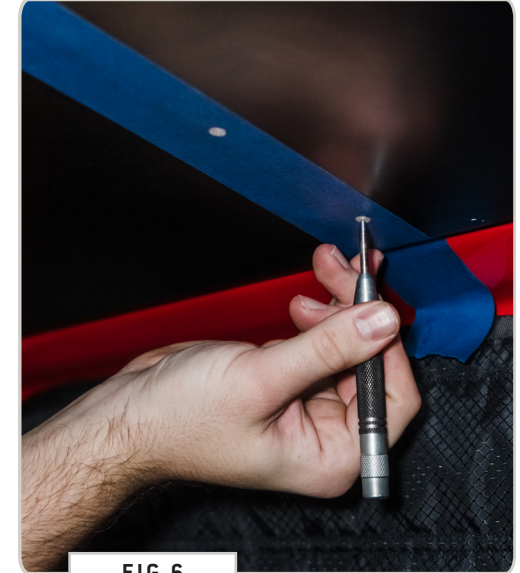
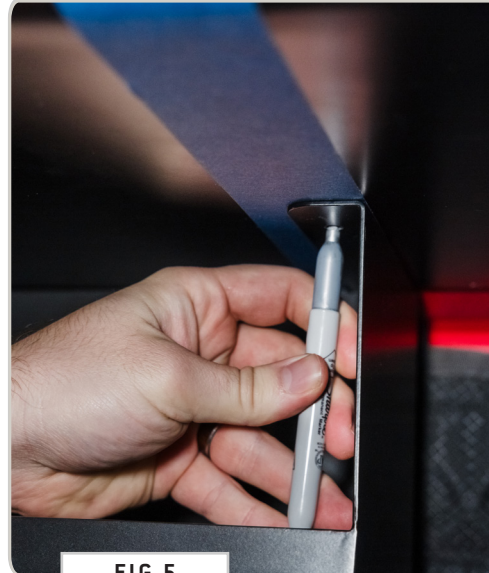
FIG 4

STEP | 01 LAYOUT AND INSTALL PREP

1.3 Drill Out Holes: Mark your drill locations through the mounting holes (FIG 5), center punch them if desired (FIG 6), and drill out holes using a 3/16" Drill Bit (FIG 7). Clean up the holes with a deburr tool or file (FIG 8).

TOOLS REQUIRED FOR THIS STEP:

- + MARKER
- + CENTER PUNCH
- + POWER DRILL
- + 3/16" DRILL BIT
- + DEBURR TOOL



TOOLS REQUIRED FOR THIS STEP: + 5/32" ALLEN WRENCH
+ 7/16" WRENCH OR SOCKET

STEP | 02 INSTALL UNDER SHELF

2.1 Install Shelf to Cabinet: Use (4) 1/4 x 0.625 Button Head Hex Drive Screws, Flat Washers and Nylon Locknuts to install the Under Shelf to the Cabinet (FIG 9-11).

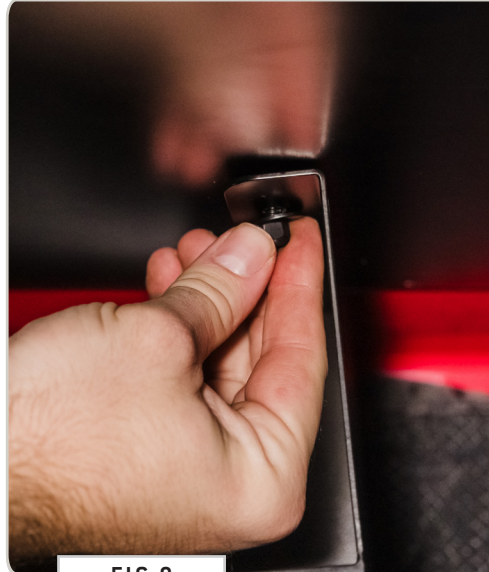


FIG 9



FIG 10



FIG 11

GET OUT AND EXPLORE!

+ LEAVE US A REVIEW

Happy with your new FVC product? We would love to hear (and see) from you! Head to the product page and click "Leave Review." Add a short review and upload a few photos to be showcased on the product page.

+ SHARE YOUR PICS

We love seeing how our customers use their FVC products and following along with your adventures. Tag us in your photos with: @flatlinevanco or send them to us via email. We love posting customer pictures in our feed!

+ NEED ANY HELP?

If you are having any issues with your product, please reach out, and we will make it right. FVC is a company of van and outdoor enthusiasts that design and use our own products, so we want you to be as stoked on your new parts as we are!



@FLATLINEVANCO