



INSTALLATION GUIDE

HIGH BAR KIT - HEAVY DUTY WITH DECKING PANEL ADAPTERS

UN1115B



TOOLS REQUIRED (NOT INCLUDED)

- + 5/32" ALLEN WRENCH
- + 9/16" WRENCH OR SOCKET

INSTALL INFO

TIME TO INSTALL THIS PRODUCT: 30 MINUTES

Additional help is suggested for a few of the install steps.

BEFORE YOU START

Please inspect the product and packaging upon delivery to ensure there are no issues and that all parts and hardware are accounted for.

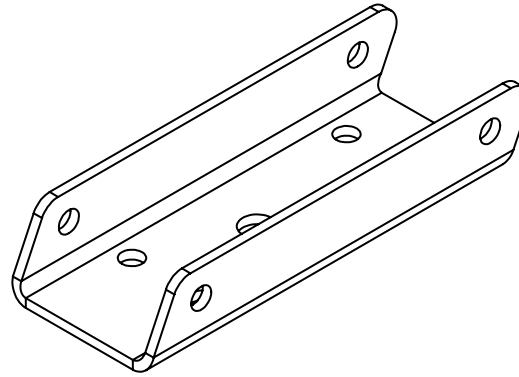
Contact us ASAP if anything is missing at:
support@flatlinevanco.com

BEFORE YOU START

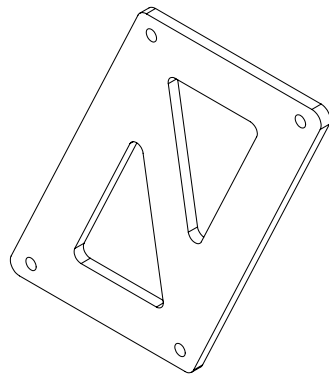
All Flatline Van Co products must be properly assembled and secured before attaching to your vehicle. Improper attachment could result in an automobile accident, and could cause serious bodily injury or death to you or to others involved. You are responsible for assembling and securing Flatline Van Co products to your vehicle, checking the mounting points and attachments prior to use, and regularly inspecting the products for wear and or damage. We always recommend you use a professional to install any aftermarket accessories to your vehicle. If you have no mechanical experience and are not thoroughly familiar with the installation procedures, you must have the product installed by a professional installer or other qualified persons. The responsibility is yours and must be taken seriously for everyone's safety.



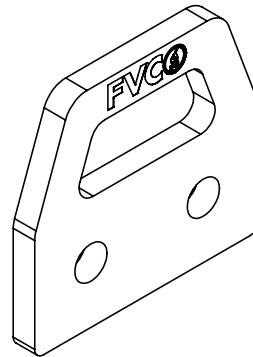
PACKAGE CONTENTS



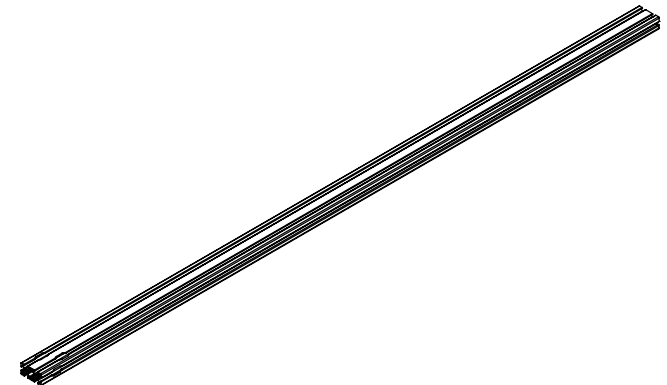
DECKING PANEL
ADAPTERS
QTY: 4



HEAVY DUTY HIGH
BAR RISER
QTY: 8

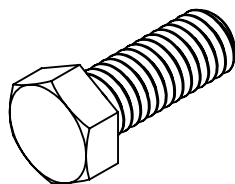


END CAP
QTY: 4



CROSSBAR
QTY: 2

HARDWARE



3/8-16 X 1 HEX HEAD SCREW

QTY: 4



1/4-20 X 0.75 FLANGED
BUTTON HEAD HEX DRIVE
SCREW

QTY: 24



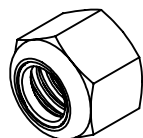
0.375 X 1 OVERSIZED FLAT
WASHER

QTY: 8



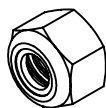
1/4 FLAT WASHER

QTY: 16



3/8-16 NYLON LOCKNUT

QTY: 4



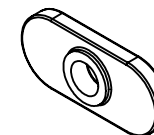
1/4-20 NYLON LOCKNUT

QTY: 16



1/4-20 X 0.5 BUTTON HEAD
HEX DRIVE SCREW

QTY: 32



1/4-20 ECONOMY T-NUT

QTY: 8



5ML THREADLOCKER
BOTTLE

QTY: 1

INSTALL

STEP | 01 LAYOUT AND INSTALL PREP

1.1 Layout Install Location: Keep in mind the layout of your planned or existing roof top array (solar panels, fans, tents, etc.) and choose an install location suitable to your needs. These **Adapters** are designed to make our **Heavy Duty High Bars** able to be installed to **FVC Roof Racks** that feature the use of **Decking Panels**.

NOTE - The *Adapters* only work with the *Heavy Duty High Bars* in "High Mode." (FIG 1)

TOOLS REQUIRED FOR THIS STEP:

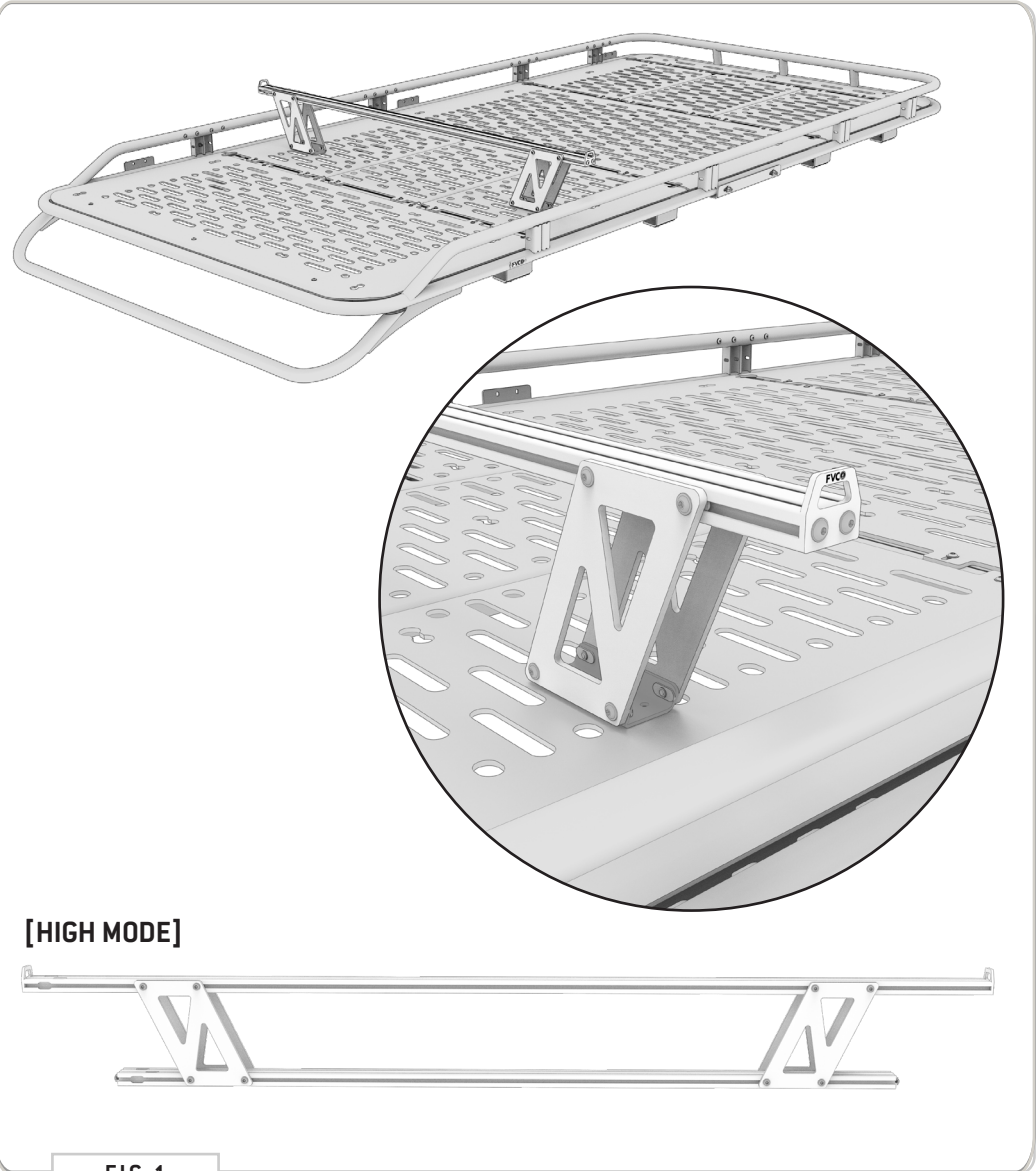


FIG 1

TOOLS REQUIRED FOR THIS STEP: + 5/32" ALLEN WRENCH

STEP | 02 HIGH BAR ASSEMBLY

2.1 Attach End Caps to Crossbars: Find the **Crossbar End Caps** and attach to your **Crossbar** using **(2ea) 1/4-20 x 0.75 Flanged Button Head Hex Drive Screws** and **Loctite** (FIG 2-3).

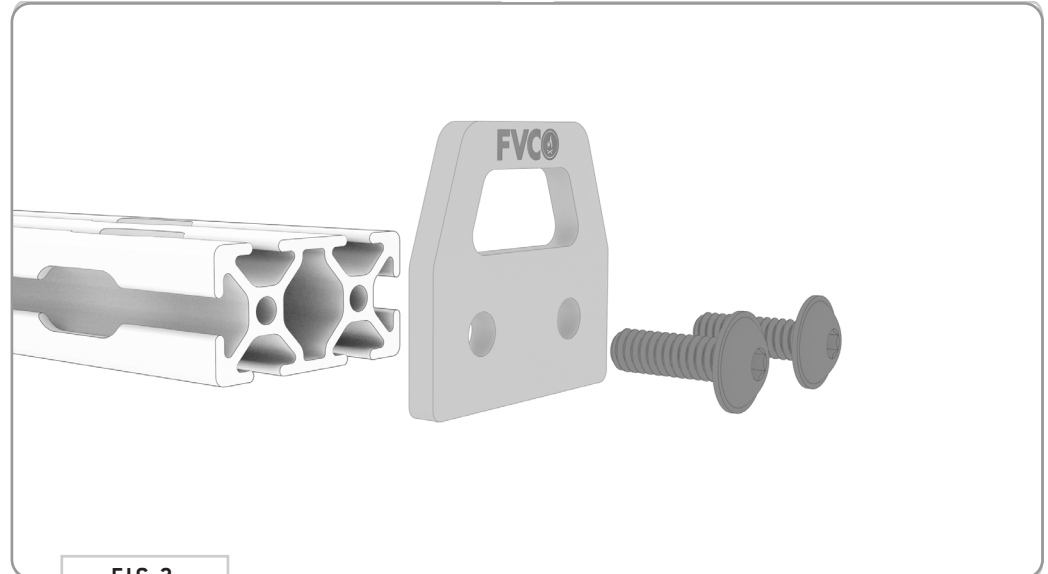


FIG 2

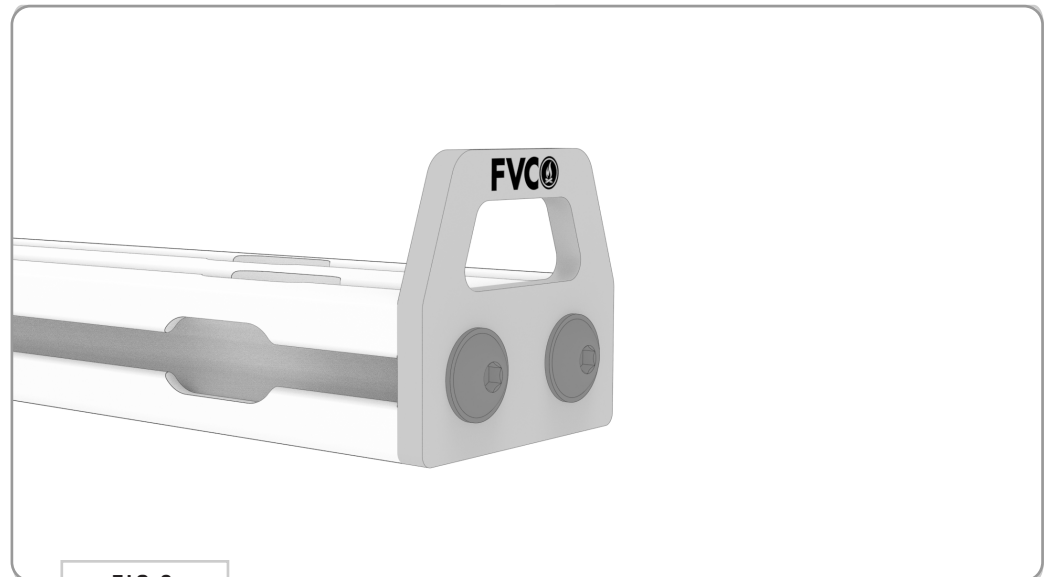


FIG 3

TOOLS REQUIRED FOR THIS STEP: + 5/32" ALLEN WRENCH

STEP | 02 HIGH BAR ASSEMBLY

2.2 Insert T-Nuts: Slide (2) 1/4-20 T-Nuts into the cutouts of the Crossbar (FIG 4).

NOTE- Make sure that the raised edge of the T-Nut goes in first and that the flat edge is in the position to receive hardware.

2.3 Attach Riser to Crossbar: Take the High Bar Riser and position it against the surface of the crossbar. Make sure it is in the desired *High* orientation. Loosely attach using 1/4-20 x 0.5 Flanged Button Head Hex Drive Screws (FIG 5).

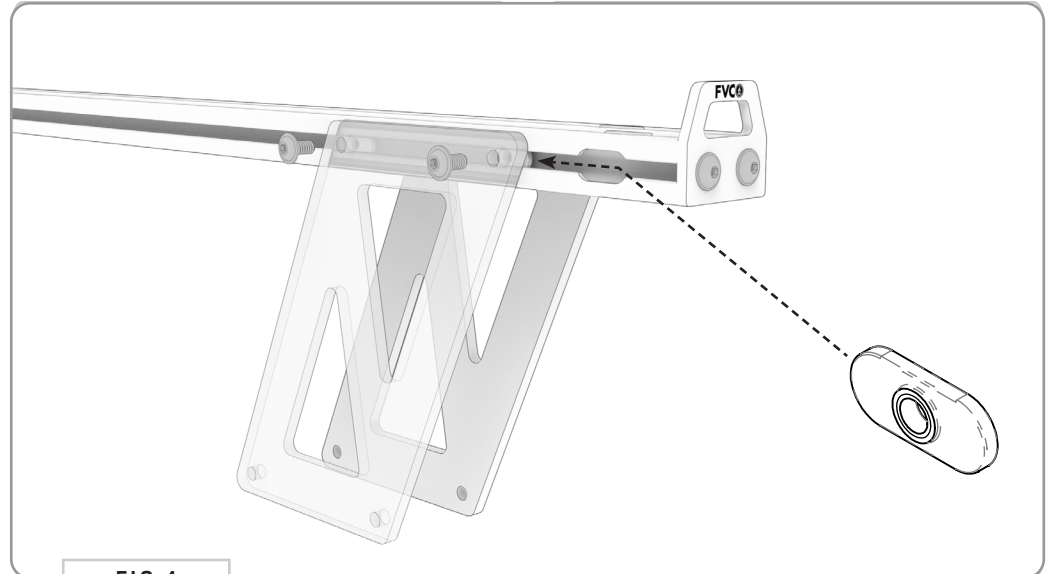


FIG 4

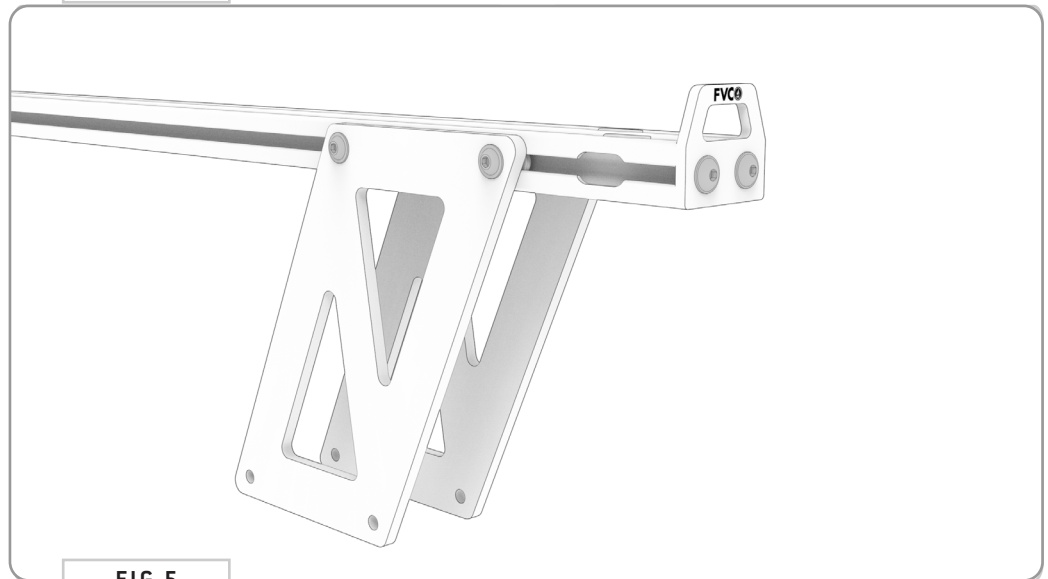


FIG 5

TOOLS REQUIRED FOR THIS STEP: + 9/16" WRENCH OR SOCKET

STEP | 03 DECKING ADAPTER INSTALL

3.1 Install Decking Adapters: Position Decking Adapters in your desired location and loosely attach using 3/8-16 x 1 Hex Head Screws, Flat Washers and Nylon Locknuts.

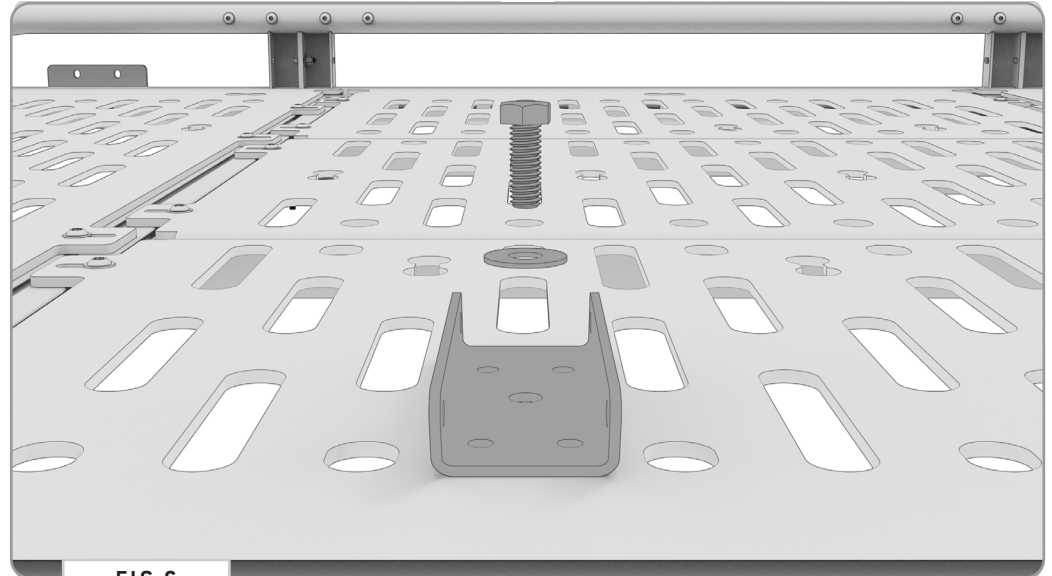


FIG 6

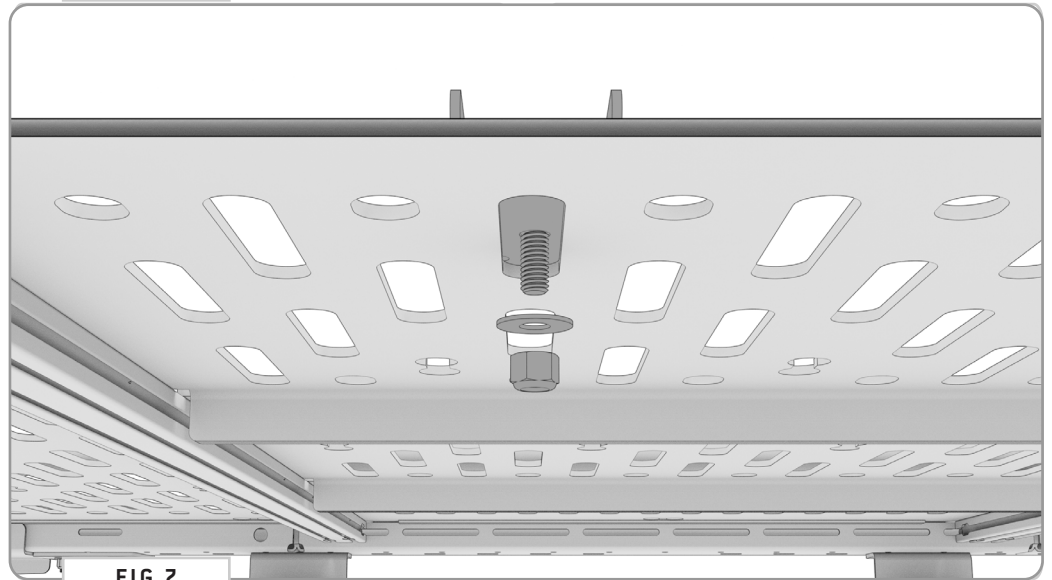


FIG 7

STEP | 04 HIGH BAR INSTALL

4.1 Attach High Bar to Crossbar: Take the assembled High Bar and position it against the surface of the Decking Adapter. Attach using 1/4-20 x 0.75 Flanged Button Head Hex Drive Screws, Flat Washers and Nylon Locknuts (FIG 8).

4.2 Confirm Alignment and Tighten Fasteners: Confirm that your High Bar Risers and Crossbar are centered and proceed to tighten all fasteners.

TOOLS REQUIRED FOR THIS STEP: + 5/32" ALLEN WRENCH
+ 3/8" WRENCH OR SOCKET

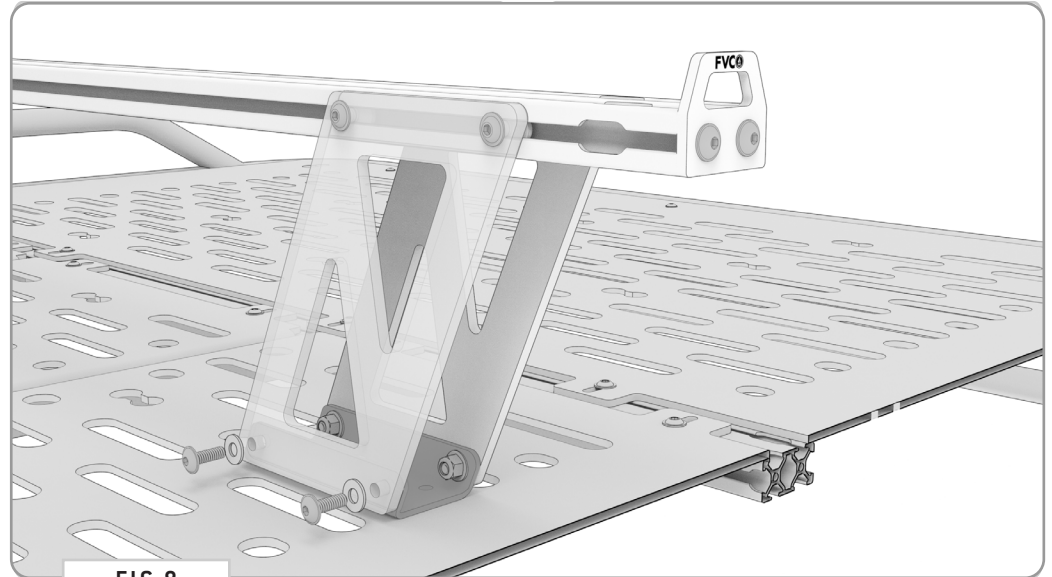


FIG 8

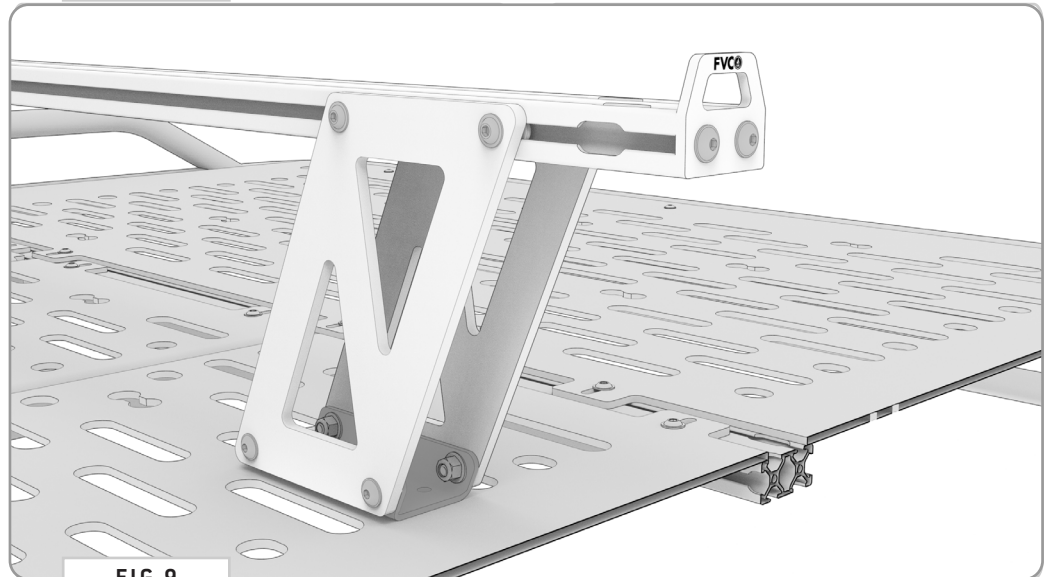


FIG 9

GET OUT AND EXPLORE!

+ LEAVE US A REVIEW

Happy with your new FVC product? We would love to hear (and see) from you! Head to the product page and click "Leave Review." Add a short review and upload a few photos to be showcased on the product page.

+ SHARE YOUR PICS

We love seeing how our customers use their FVC products and following along with your adventures. Tag us in your photos with: @flatlinevanco or send them to us via email. We love posting customer pictures in our feed!

+ NEED ANY HELP?

If you are having any issues with your product, please reach out, and we will make it right. FVC is a company of van and outdoor enthusiasts that design and use our own products, so we want you to be as stoked on your new parts as we are!



@FLATLINEVANCO