



INSTALLATION GUIDE

REAR DOOR PLATFORM GEAR BOX UN1112B



TOOLS REQUIRED (NOT INCLUDED)

- | | |
|------------------|--------------------|
| + RATCHET | + 9/16" SOCKET |
| + MEASURING TAPE | + 5MM ALLEN WRENCH |
| + MARKER | + 9/16" WRENCH |

INSTALL INFO

TIME TO INSTALL THIS PRODUCT: 30-45 MINUTES

Additional help is suggested for a few of the install steps.
Compatible with all FVC Rear Door Platforms.

BEFORE YOU START

Please inspect the product and packaging upon delivery to ensure there are no issues and that all parts and hardware are accounted for.

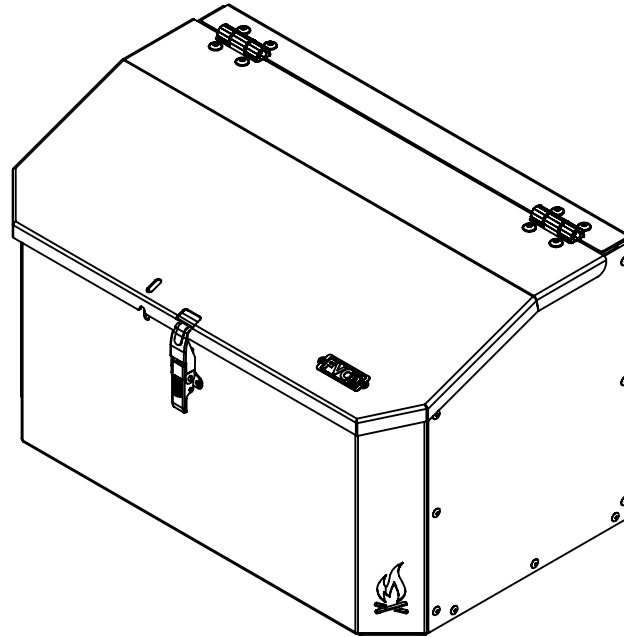
Contact us ASAP if anything is missing at:
support@flatlinevanco.com

BEFORE YOU START

All Flatline Van Co products must be properly assembled and secured before attaching to your vehicle. Improper attachment could result in an automobile accident, and could cause serious bodily injury or death to you or to others involved. You are responsible for assembling and securing Flatline Van Co products to your vehicle, checking the mounting points and attachments prior to use, and regularly inspecting the products for wear and or damage. We always recommend you use a professional to install any aftermarket accessories to your vehicle. If you have no mechanical experience and are not thoroughly familiar with the installation procedures, you must have the product installed by a professional installer or other qualified persons. The responsibility is yours and must be taken seriously for everyone's safety.



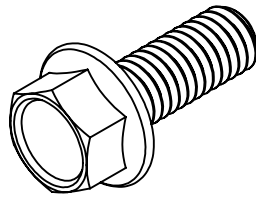
PACKAGE CONTENTS



GEAR BOX

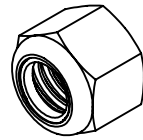
QTY: 1

HARDWARE



3/8-16 X 1 FLANGED
HEX HEAD SCREW

QTY: 4



3/8-16 NYLON INSERT
LOCKNUT

QTY: 4



3/8 SCREW FLAT WASHER

QTY: 8

INSTALL

STEP | 01 LAYOUT & INSTALL PREP

The Gear Storage Box is designed to be compatible with FVC Rear Door Platforms, but can be modified for installation with other rear door accessory systems.

The box comes pre-assembled from the factory and ready to bolt on. Find the hardware pack inside and familiarize yourself with the contents.

1.1 Dry fit the box to your mounting surface and determine the desired height of install. If you'd rather measure, see **FIG 1** for distances between the mounting points.

NOTE - If you are utilizing the Pre-Drilled 3/8" Mounting Holes along the bottom of the Box for additional security, you'll have to order some extra hardware.

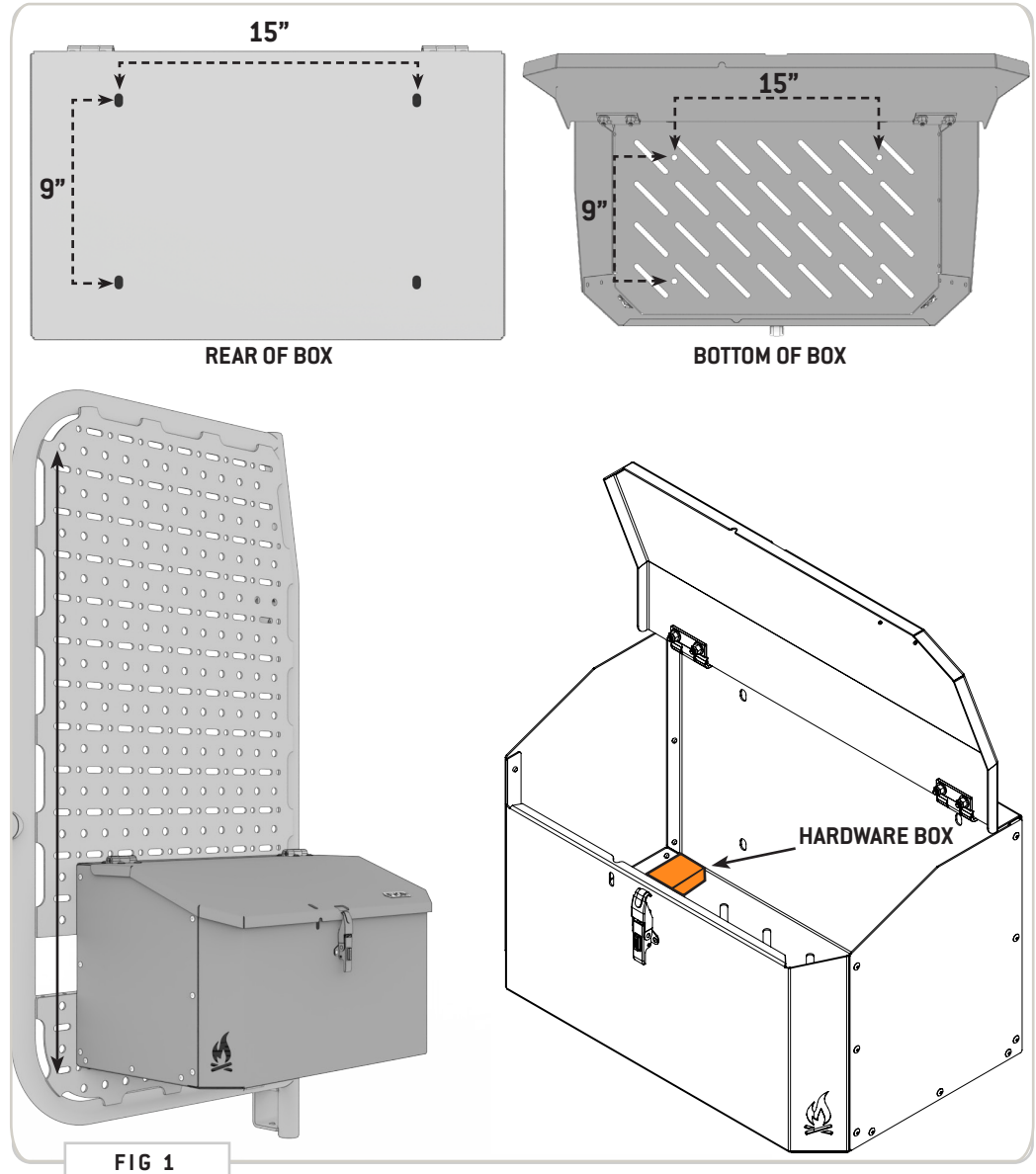
1.2 If you are using a product other than the FVC Rear Door Platform, mark the back of the box to match your available mounting points and drill out (4) 3/8" holes accordingly. Plug the factory holes with provided hardware.

PRO-TIP: A table or stand of an appropriate height can be very helpful during this install.

PRO-TIP: Masking tape can also be used to mark desired install height.

NOTE - Modifying your Gear Storage Box for mounting to products other than FVC Rear Door Platforms is done **at your own risk**. If you don't feel comfortable installing this on your own, see our **Find a Builder or Upfitter** page to locate an approved installer near you.

TOOLS REQUIRED FOR THIS STEP: + MEASURING TAPE
+ MARKER



STEP | 02 BOX TO PLATFORM INSTALL

2.1 Open the lid of the box to access the mounting holes.

2.2 Insert (1ea) **3/8-16 x 1" Flanged Hex Head Screws** and **3/8" Flat Washers** to the upper mounting holes (FIG 3).

2.3 With help, lift and align top holes with hardware to the desired height of horizontal 3/8" sized slots of the **Rear Door Platform**.

2.4 Reaching around the platform, attach (1ea) **3/8" Flat Washers** to the bolt and loosely thread on (1ea) **3/8" Nylon Lock Nuts** to hold the box in place. (FIG 4)

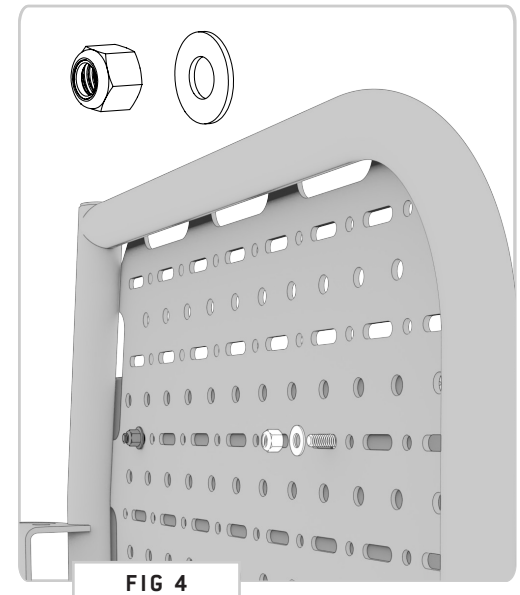
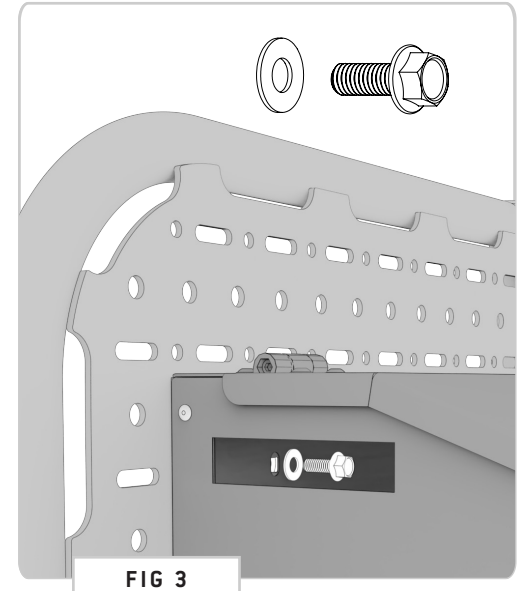
2.5 Insert (1ea) **3/8-16 x 1" Flanged Hex Head Screws** and **3/8" Flat Washers** to the lower mounting holes.

2.6 Reaching around the platform, attach (1ea) **3/8" Flat Washers** to the bolt and loosely thread on (1ea) **3/8" Nylon Lock Nuts** to hold the box in place.

2.7 Verify positioning and tighten down hardware to **20 ft-lbs**

TOOLS REQUIRED FOR THIS STEP:

- + RATCHET
- + 9/16" SOCKET
- + 9/16" WRENCH



TOOLS REQUIRED FOR THIS STEP: + 5MM ALLEN WRENCH

STEP | 03 BOX ADJUSTMENTS

[AS NEEDED]

DOOR HINGES

3.1 The adjustable torque hinges can be adjusted using a **5MM Allen Wrench**. Tighten the **Hinge Pivot Bolt** to increase torque, loosen **Hinge Pivot Bolt** to decrease torque (**FIG 5**).

LOCKING FEATURE

3.2 The **Gear Box** features a cut-out that allows the user to attach a padlock for added security (**FIG 6**).

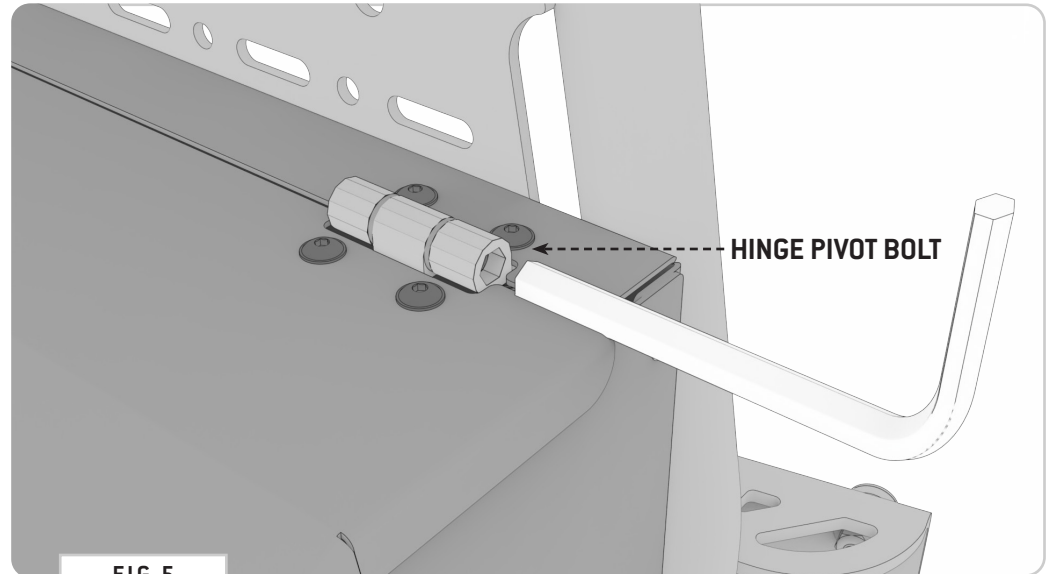


FIG 5

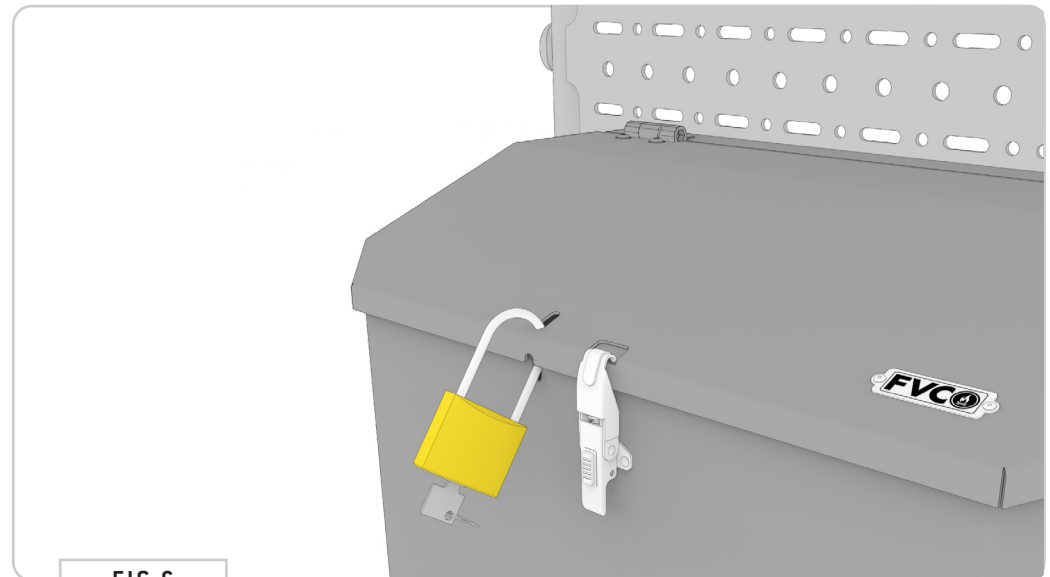


FIG 6

GET OUT AND EXPLORE!

+ LEAVE US A REVIEW

Happy with your new FVC product? We would love to hear (and see) from you! Head to the product page and click "Leave Review." Add a short review and upload a few photos to be showcased on the product page.

+ SHARE YOUR PICS

We love seeing how our customers use their FVC products and following along with your adventures. Tag us in your photos with: @flatlinevanco or send them to us via email. We love posting customer pictures in our feed!

+ NEED ANY HELP?

If you are having any issues with your product, please reach out, and we will make it right. FVC is a company of van and outdoor enthusiasts that design and use our own products, so we want you to be as stoked on your new parts as we are!



@FLATLINEVANCO