



INSTALLATION GUIDE

SPRINTER VAN WINCH FAIRLEAD

UN1110B



TOOLS REQUIRED (NOT INCLUDED)

- + 5/32" ALLEN WRENCH
- + 3/4" WRENCH OR SOCKET
- + 7/16" WRENCH OR SOCKET
- + SNAP RING PLIERS

INSTALL INFO

TIME TO INSTALL THIS PRODUCT: 30-45 MINUTES

Additional help is suggested for a few of the install steps.
Compatible with all FVC Rear Door Platforms.

BEFORE YOU START

Please inspect the product and packaging upon delivery to ensure there are no issues and that all parts and hardware are accounted for.

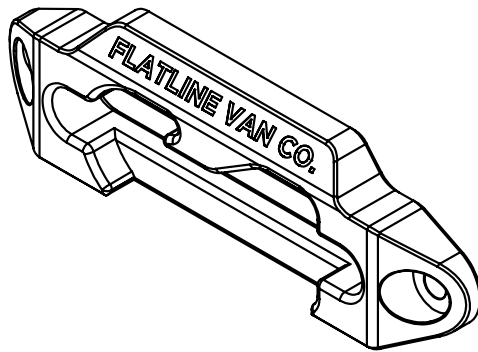
Contact us ASAP if anything is missing at:
support@flatlinevanco.com

BEFORE YOU START

All Flatline Van Co products must be properly assembled and secured before attaching to your vehicle. Improper attachment could result in an automobile accident, and could cause serious bodily injury or death to you or to others involved. You are responsible for assembling and securing Flatline Van Co products to your vehicle, checking the mounting points and attachments prior to use, and regularly inspecting the products for wear and or damage. We always recommend you use a professional to install any aftermarket accessories to your vehicle. If you have no mechanical experience and are not thoroughly familiar with the installation procedures, you must have the product installed by a professional installer or other qualified persons. The responsibility is yours and must be taken seriously for everyone's safety.

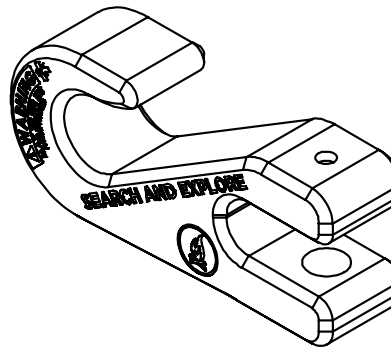


PACKAGE CONTENTS



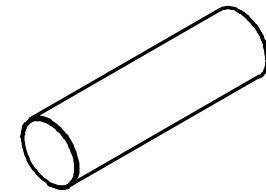
WINCH FAIRLEAD

QTY: 1



FAIRLEAD HOOK

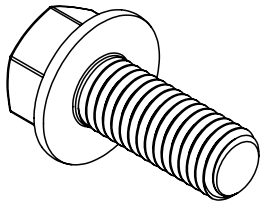
QTY: 1



FAIRLEAD HOOK PIN

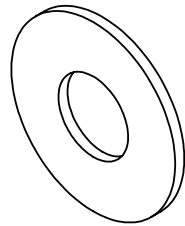
QTY: 1

HARDWARE



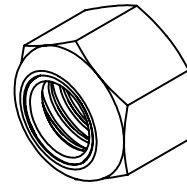
1/2-13 X 1.25 FLANGED HEX
HEAD SCREW

QTY: 2



1/2" FLAT WASHER

QTY: 2



1/2-13 NYLON LOCKNUT

QTY: 2



0.625 RETAINING RING

QTY: 1

TOOLS REQUIRED FOR THIS STEP: + 5/32" ALLEN WRENCH
+ 3/4" WRENCH OR SOCKET

STEP | 01 WINCH FAIRLEAD INSTALL

1.1 Install Winch Fairlead: Remove the 1/4-20" Button Head Screws that hold the plate covering the Winch Fairlead Mounting Holes (FIG 1) and install Fairlead using (2) 1/2-13 x 1.25 Flanged Hex Head Bolts, Flat Washers and Nylon Locknuts as shown in FIG 2+3.

NOTE - It is recommended to install the Winch Fairlead on Bumper *before* the bumper has been installed to the van.

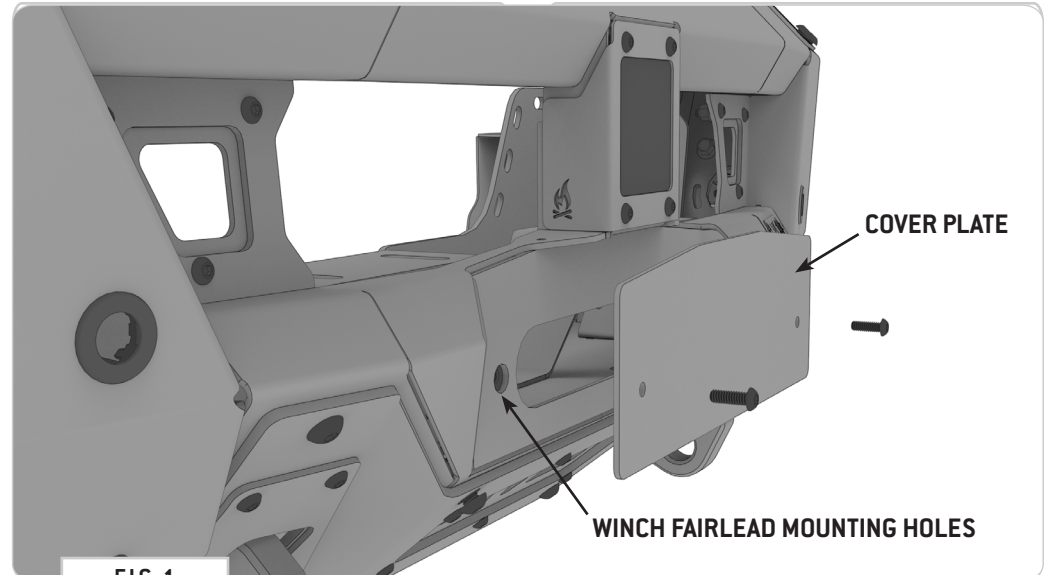


FIG 1

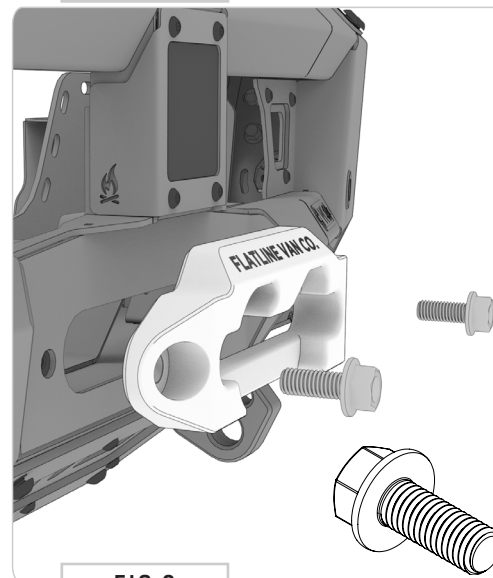


FIG 2

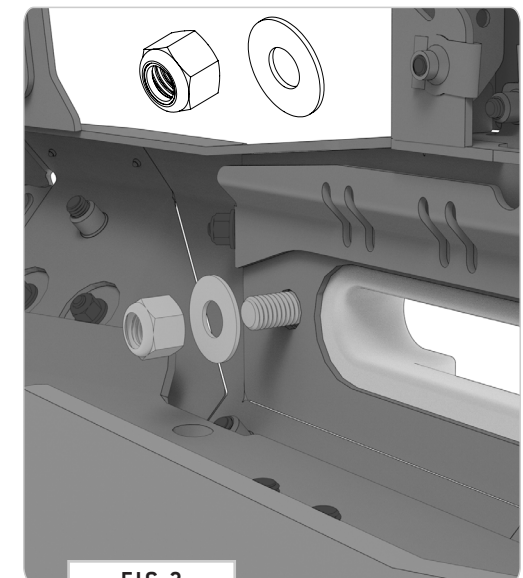


FIG 3

INSTALL

STEP | 02 INSTALL WINCH ROPE TO HOOK

2.1 Install Winch Rope to Hook: Install the Hook to the Winch Rope by installing the stainless steel Pin and Internal Retaining Ring.

NOTE - Snap ring pliers are required for this step. Make sure the retaining ring is fully seated in its groove.

2.2 Stowe the Hook: Slowly retract the winch to stow the hook in place. Be careful not to retract too fast to avoid pinching fingers or damaging the bumper.

TOOLS REQUIRED FOR THIS STEP: + SNAP RING PLIERS



GET OUT AND EXPLORE!

+ LEAVE US A REVIEW

Happy with your new FVC product? We would love to hear (and see) from you! Head to the product page and click "Leave Review." Add a short review and upload a few photos to be showcased on the product page.

+ SHARE YOUR PICS

We love seeing how our customers use their FVC products and following along with your adventures. Tag us in your photos with: @flatlinevanco or send them to us via email. We love posting customer pictures in our feed!

+ NEED ANY HELP?

If you are having any issues with your product, please reach out, and we will make it right. FVC is a company of van and outdoor enthusiasts that design and use our own products, so we want you to be as stoked on your new parts as we are!



@FLATLINEVANCO