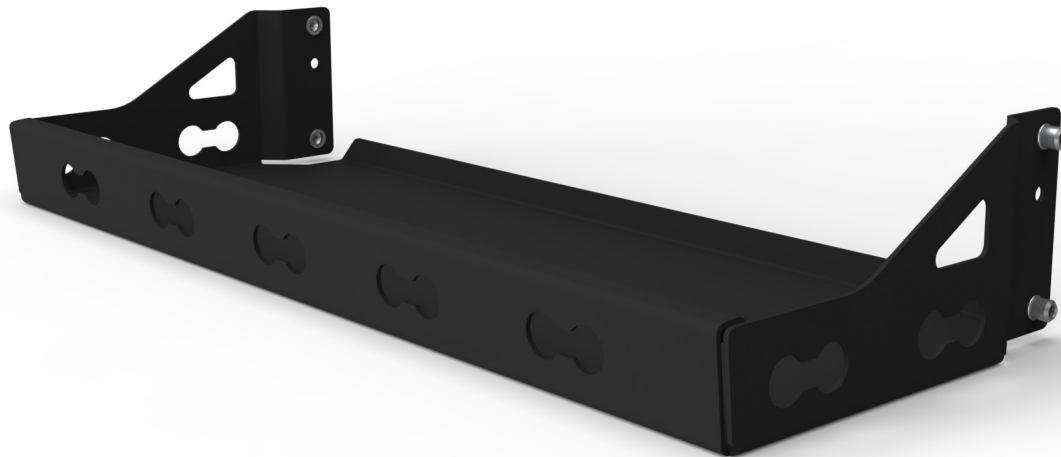




INSTALLATION GUIDE

REAR STORAGE BOX SHELVING

UN1106B + UN1107B



TOOLS REQUIRED (NOT INCLUDED)

+ 3/8" SOCKET

INSTALL INFO

TIME TO INSTALL THIS PRODUCT: 30 MINUTES

Additional help is suggested for a few of the install steps.

BEFORE YOU START

Please inspect the product and packaging upon delivery to ensure there are no issues and that all parts and hardware are accounted for.

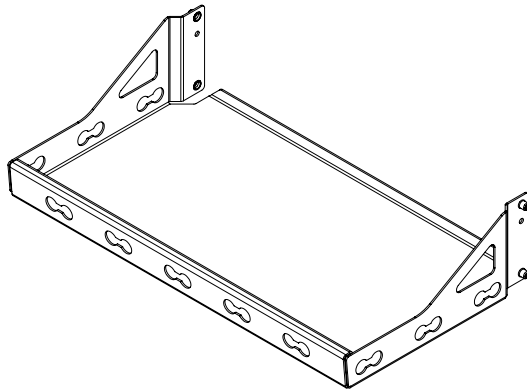
Contact us ASAP if anything is missing at:
support@flatlinevanco.com

BEFORE YOU START

All Flatline Van Co products must be properly assembled and secured before attaching to your vehicle. Improper attachment could result in an automobile accident, and could cause serious bodily injury or death to you or to others involved. You are responsible for assembling and securing Flatline Van Co products to your vehicle, checking the mounting points and attachments prior to use, and regularly inspecting the products for wear and or damage. We always recommend you use a professional to install any aftermarket accessories to your vehicle. If you have no mechanical experience and are not thoroughly familiar with the installation procedures, you must have the product installed by a professional installer or other qualified persons. The responsibility is yours and must be taken seriously for everyone's safety.



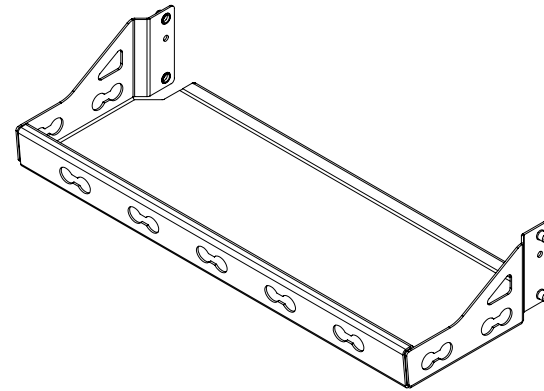
PACKAGE CONTENTS



FULL SHELF

QTY: 1

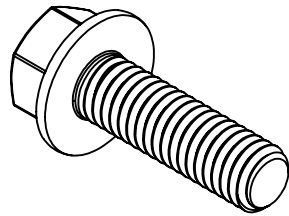
OR



HALF SHELF

QTY: 1

HARDWARE



1/4-20 X 0.75 FLANGED HEX
HEAD SCREW

QTY: 4



1/4 SCREW FLAT WASHER

QTY: 4

INSTALL

STEP | 01 SHELF INSTALL

1.1 Place shelf to desired height. The shelf is adjustable in 1" increments (FIG 2).

1.3 Set in place using middle holding slots and two 1/4-20 Hex Bolts (FIG 1).

1.4 Tighten shelf using topmost hole and 1/4-20 Hex Bolt.

1.5 Replace hardware for bottom-most mounting points with hardware from the middle holding slots and tighten down.

TOOLS REQUIRED FOR THIS STEP: + 3/8" SOCKET

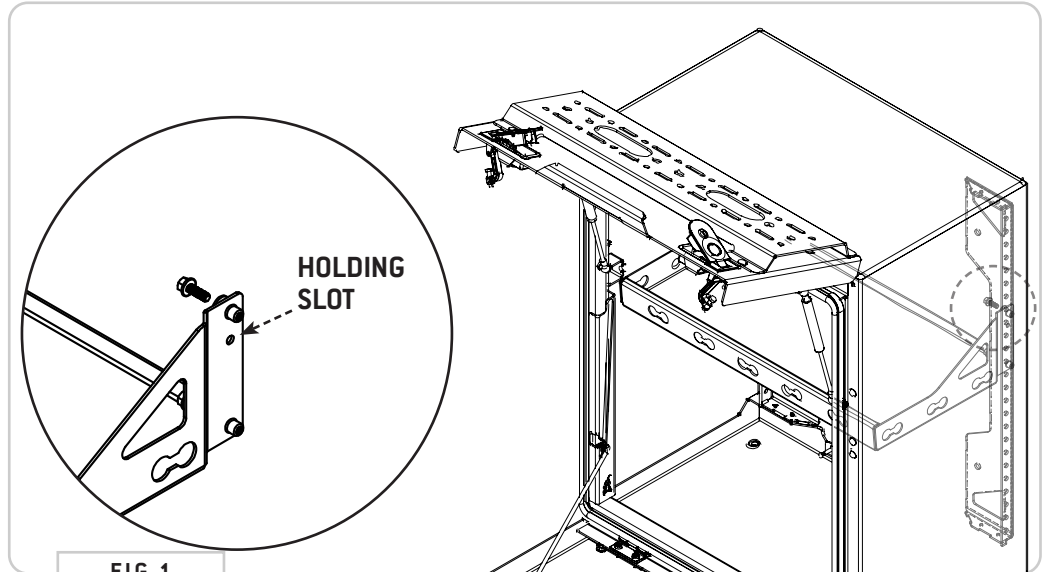


FIG 1

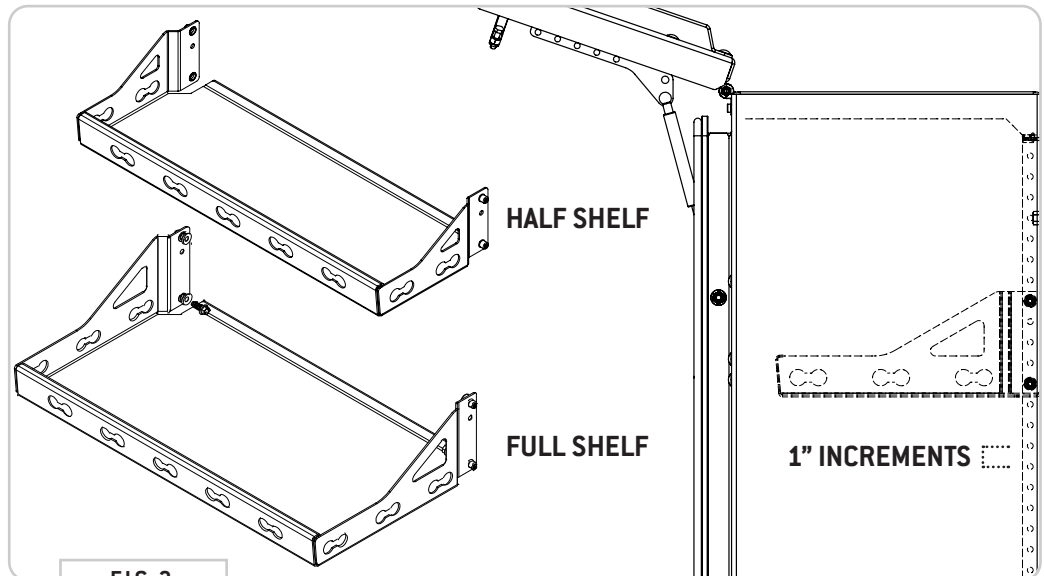


FIG 2

GET OUT AND EXPLORE!

+ LEAVE US A REVIEW

Happy with your new FVC product? We would love to hear (and see) from you! Head to the product page and click "Leave Review." Add a short review and upload a few photos to be showcased on the product page.

+ SHARE YOUR PICS

We love seeing how our customers use their FVC products and following along with your adventures. Tag us in your photos with: @flatlinevanco or send them to us via email. We love posting customer pictures in our feed!

+ NEED ANY HELP?

If you are having any issues with your product, please reach out, and we will make it right. FVC is a company of van and outdoor enthusiasts that design and use our own products, so we want you to be as stoked on your new parts as we are!



@FLATLINEVANCO