



INSTALLATION GUIDE

HANGING SOLO BED WITH LEGS - ADULT UN0307B



TOOLS REQUIRED (NOT INCLUDED)

- + MEASURING TAPE
- + RATCHET
- + 9/16" WRENCH OR SOCKET
- + 5/8" WRENCH OR SOCKET
- + 5/32" ALLEN WRENCH

INSTALL INFO

TIME TO INSTALL THIS PRODUCT: 1 HOUR

Additional help is suggested for a few of the install steps.

BEFORE YOU START

Please inspect the product and packaging upon delivery to ensure there are no issues and that all parts and hardware are accounted for.

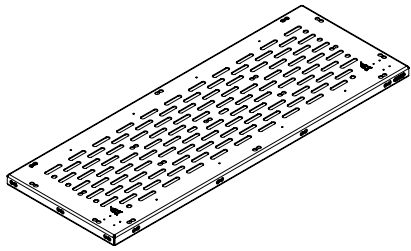
Contact us ASAP if anything is missing at:
support@flatlinevanco.com

BEFORE YOU START

All Flatline Van Co products must be properly assembled and secured before attaching to your vehicle. Improper attachment could result in an automobile accident, and could cause serious bodily injury or death to you or to others involved. You are responsible for assembling and securing Flatline Van Co products to your vehicle, checking the mounting points and attachments prior to use, and regularly inspecting the products for wear and or damage. We always recommend you use a professional to install any aftermarket accessories to your vehicle. If you have no mechanical experience and are not thoroughly familiar with the installation procedures, you must have the product installed by a professional installer or other qualified persons. The responsibility is yours and must be taken seriously for everyone's safety.

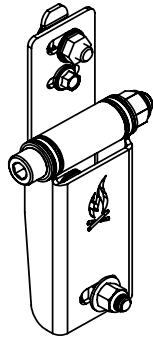


PACKAGE CONTENTS



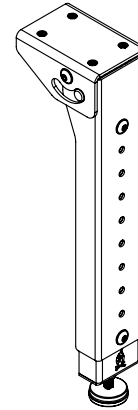
SOLO BED PANEL

QTY: 1



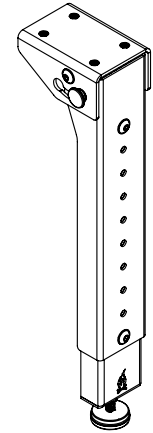
HINGE ASSEMBLY

QTY: 2



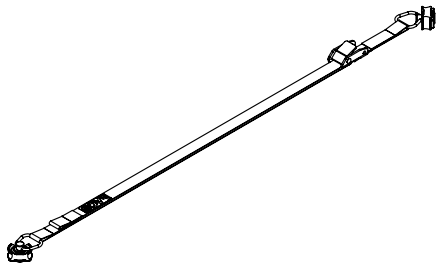
LEFT BED LEG

QTY: 1



RIGHT BED LEG

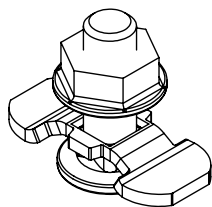
QTY: 1



CAM STRAP WITH L-TRACK ANCHOR

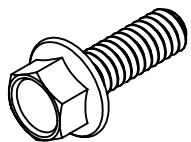
QTY: 2

HARDWARE



L-TRACK STUD

QTY: 4



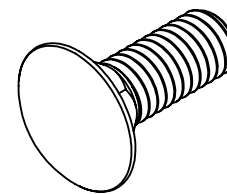
1/4-20 X 0.75 FLANGED
HEX HEAD SCREW

QTY: 4



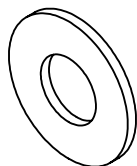
1/4 SCREW FLAT WASHER

QTY: 4



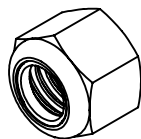
3/8-16 X 1 SQUARE NECK
CARRIAGE BOLT

QTY: 2



3/8 SCREW FLAT WASHER

QTY: 2



3/8-16 NYLON LOCKNUT

QTY: 2



1/4-20 X 0.75 FLANGED
BUTTON HEAD HEX SCREW

QTY: 8

INSTALL

TOOLS REQUIRED FOR THIS STEP:

STEP | 01 LAYOUT AND INSTALL PREP

1.1 Dimensions of Solo Bed: The Hanging Solo Bed is designed for installation in vans equipped with L-Track and FVC Bed Brackets. Refer to FIG 1 and 2 for relevant dimensions to assist with the layout and installation of your new Solo Bed.

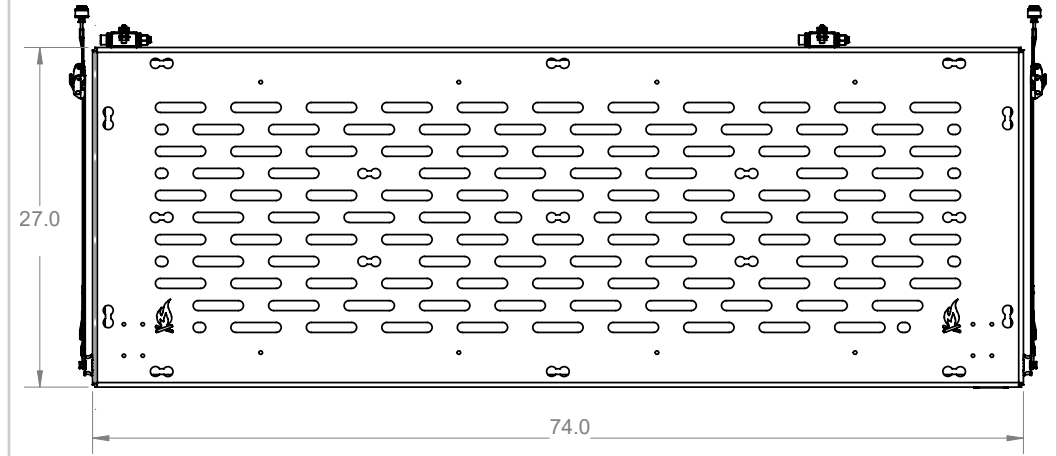


FIG 1

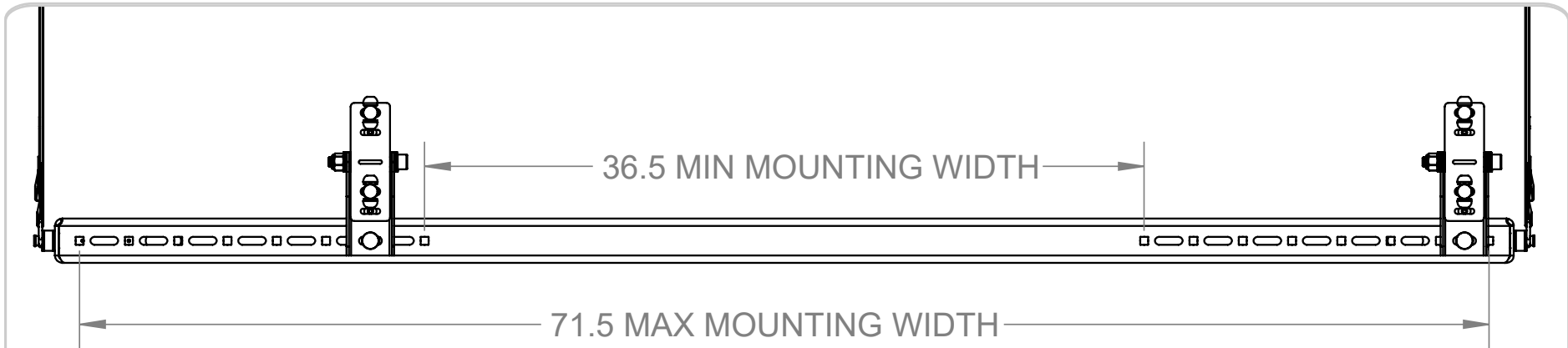


FIG 2

TOOLS REQUIRED FOR THIS STEP: + 5/8" WRENCH

STEP | 01 SOLO BED ASSEMBLY

For L-Track Install:

1.1a Determine Install Height: Dry fit Hinge Assemblies to your L-Track and determine the desired install height of your Solo Bed (FIG 3a).

1.2a Attach Hinge Assemblies to L-Track: Attach the Hinge Assemblies to the desired height along your L-Track using the included L-Track Studs (FIG 4a).

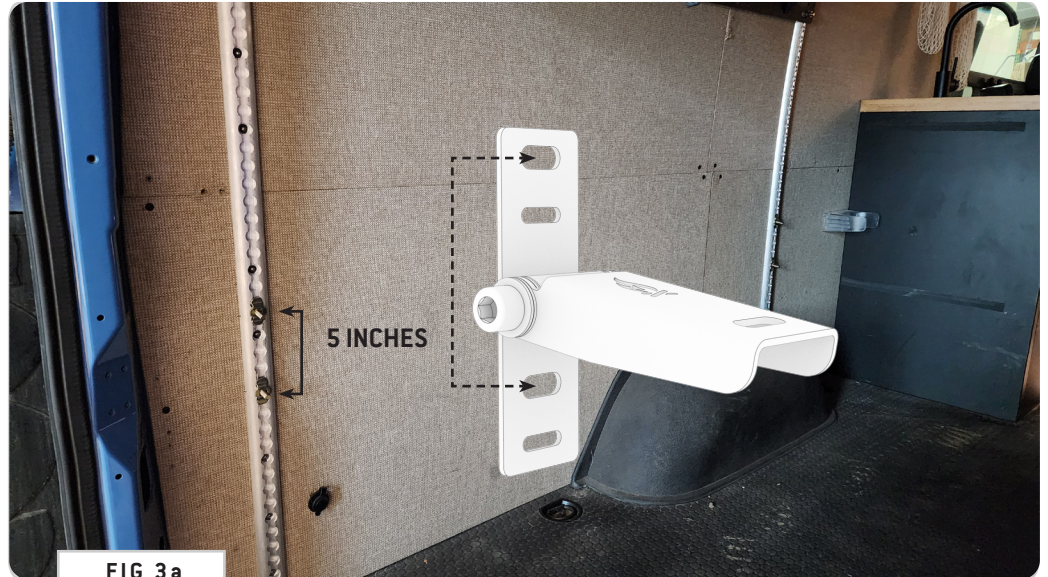


FIG 3a

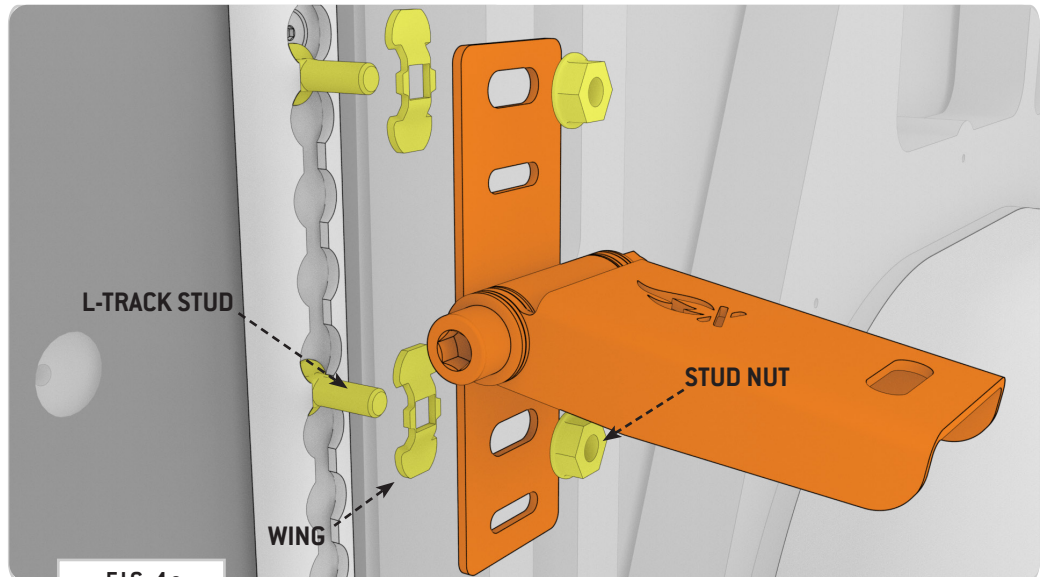


FIG 4a

TOOLS REQUIRED FOR THIS STEP: + 7/16" WRENCH OR SOCKET

STEP | 01 SOLO BED ASSEMBLY

For Bed Bracket Install:

1.1b Determine Install Height: Dry fit **Hinge Assemblies** to your **Bed Brackets** and determine the desired install height of your **Solo Bed** (FIG 3b).

1.2b Attach Hinge Assemblies to Bed Brackets: Attach the **Hinge Assemblies** to the desired height along your **Bed Brackets** using the threaded holes and included **1/4-20 x 0.75 Flanged Hex Head Screws and Flat Washers** (FIG 4b).



FIG 3b



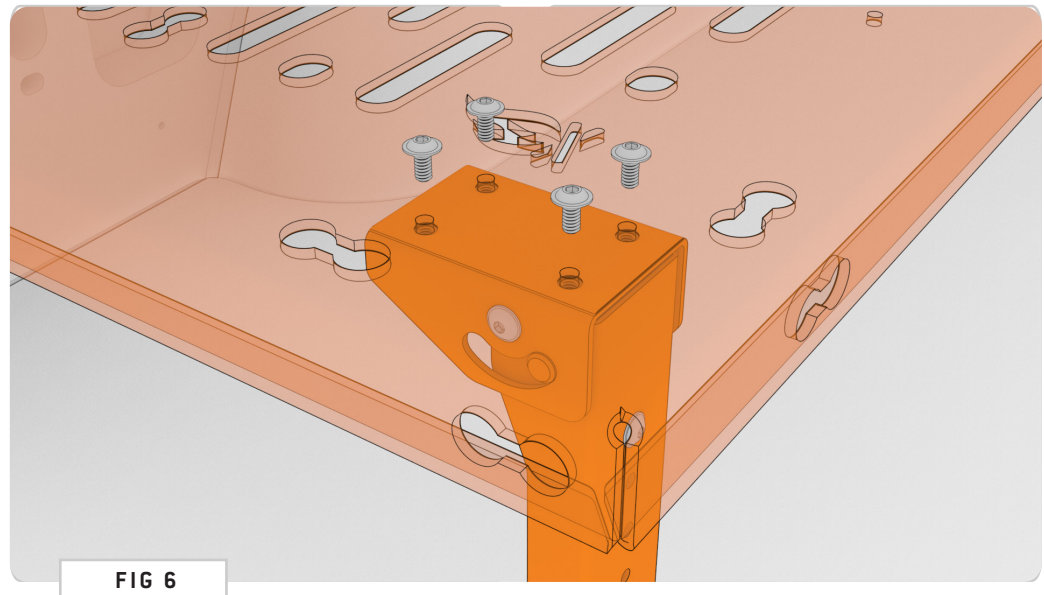
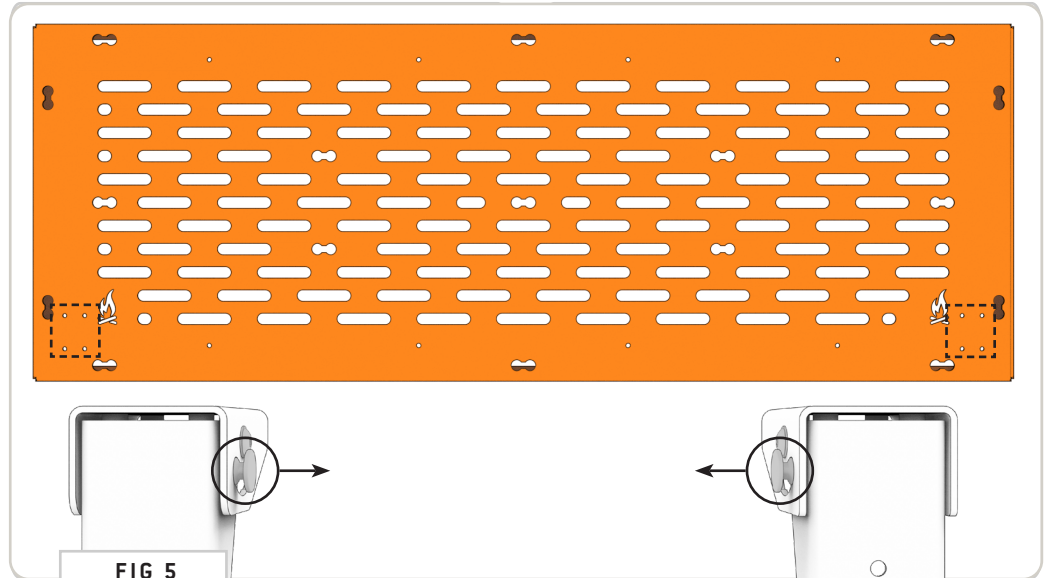
FIG 4b

TOOLS REQUIRED FOR THIS STEP: + 5/32" ALLEN WRENCH

STEP | 02 SOLO BED ASSEMBLY

2.1 Attach Legs to Bed: Attach both Legs to Solo Bed using (4ea) 1/4-20 x 0.5 Flanged Button Head Screws in the predrilled locations shown in FIG 5+6.

NOTE - The Legs are directional. Make sure that the push button is pointed toward the center of the bed during install (FIG 5).



TOOLS REQUIRED FOR THIS STEP: + 9/16" WRENCH OR SOCKET

STEP | 03 SOLO BED INSTALL

3.1 Attach Bed Panel to Hinges: With help, attach Solo Bed Panel to Hinges using (1ea) 3/8-16 x 1 Square Neck Carriage Bolts, 3/8" Flat Washers and Nylon Locknuts (FIG 9) in the locations shown in FIG 9.

NOTE - You can leave the assembly loose and center the bed panel before tightening down the fasteners.



FIG 7



FIG 8

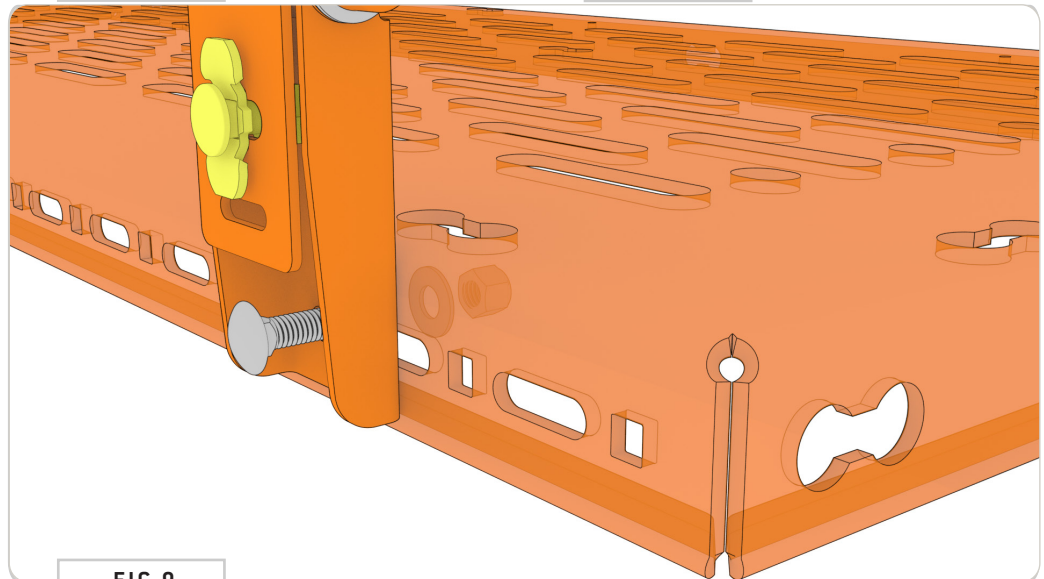


FIG 9

TOOLS REQUIRED FOR THIS STEP: 5/32" ALLEN WRENCH

STEP | 03 SOLO BED INSTALL

3.2 Adjust Leg Height: Deploy the **Bed Legs** and check the leveling. If adjustment is needed, remove the **1/4-20 X 0.75 Flanged Button Head Hex Screws, Flat Washers, And Nylon Locknuts (FIG 10)**. Adjust the inner bracket to the desired height (**FIG 11**) and resecure with hardware. Additional fine-tuning can be done using the built-in leveling mount on the bottom of the leg.

NOTE - To keep the bed in a stowed position, we like to use a **Cam Strap with an L-Track Anchor (FIG 12)**, but you can use whatever works best for your application.

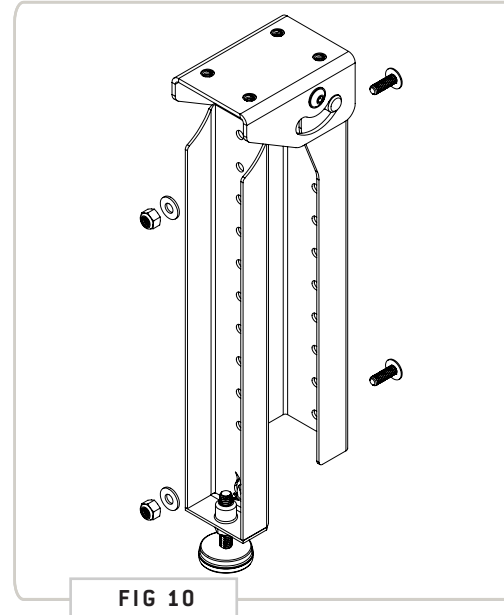


FIG 10

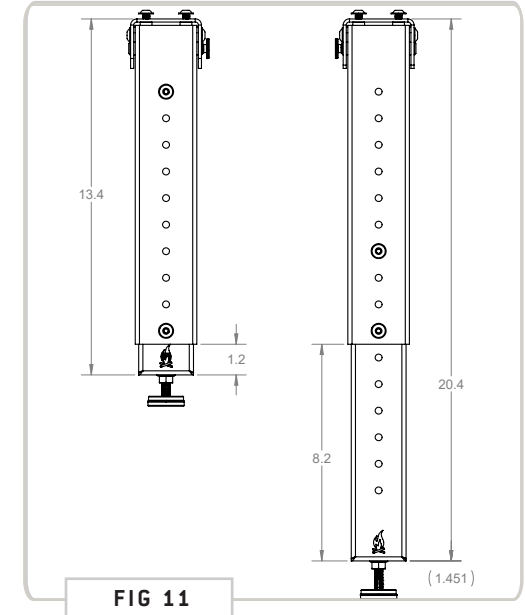


FIG 11



FIG 12

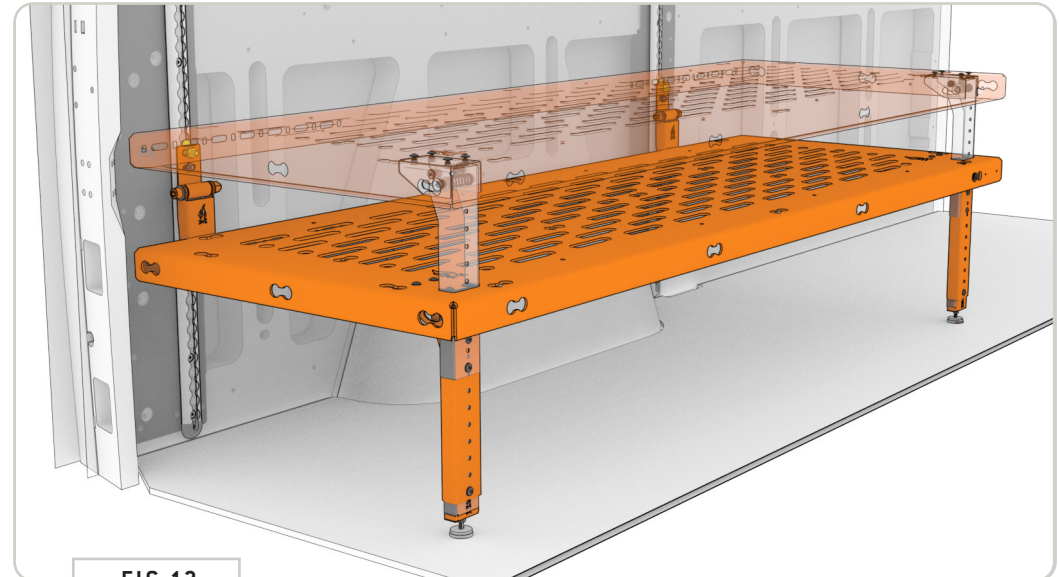


FIG 13

GET OUT AND EXPLORE!

+ LEAVE US A REVIEW

Happy with your new FVC product? We would love to hear (and see) from you! Head to the product page and click "Leave Review." Add a short review and upload a few photos to be showcased on the product page.

+ SHARE YOUR PICS

We love seeing how our customers use their FVC products and following along with your adventures. Tag us in your photos with: @flatlinevanco or send them to us via email. We love posting customer pictures in our feed!

+ NEED ANY HELP?

If you are having any issues with your product, please reach out, and we will make it right. FVC is a company of van and outdoor enthusiasts that design and use our own products, so we want you to be as stoked on your new parts as we are!



@FLATLINEVANCO