



INSTALLATION GUIDE

UNIVERSAL SOLAR PANEL MOUNTING BRACKETS - LOW PROFILE

UN0118B



TOOLS REQUIRED (NOT INCLUDED)

- + 3/16" ALLEN WRENCH
- + 7/16" WRENCH OR SOCKET

INSTALL INFO

TIME TO INSTALL THIS PRODUCT: 30 MINUTES

Additional help is suggested for a few of the install steps.

BEFORE YOU START

Please inspect the product and packaging upon delivery to ensure there are no issues and that all parts and hardware are accounted for.

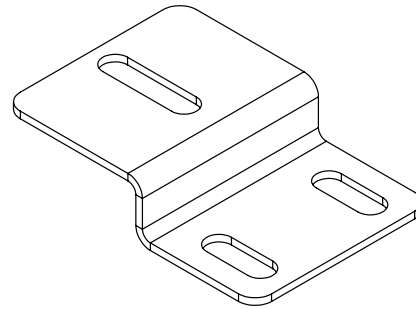
Contact us ASAP if anything is missing at:
support@flatlinevanco.com

BEFORE YOU START

All Flatline Van Co products must be properly assembled and secured before attaching to your vehicle. Improper attachment could result in an automobile accident, and could cause serious bodily injury or death to you or to others involved. You are responsible for assembling and securing Flatline Van Co products to your vehicle, checking the mounting points and attachments prior to use, and regularly inspecting the products for wear and or damage. We always recommend you use a professional to install any aftermarket accessories to your vehicle. If you have no mechanical experience and are not thoroughly familiar with the installation procedures, you must have the product installed by a professional installer or other qualified persons. The responsibility is yours and must be taken seriously for everyone's safety.



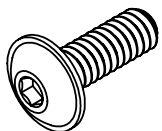
PACKAGE CONTENTS



LOW PROFILE SOLAR PANEL MOUNTING
BRACKETS

QTY: 4

HARDWARE



1/4-20 X 0.75 FLANGED
BUTTON HEAD HEX DRIVE
SCREW

QTY: 4



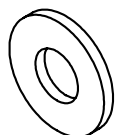
1/4-20 X 0.5 FLANGED
BUTTON HEAD HEX DRIVE
SCREW

QTY: 8



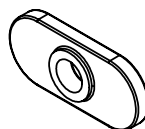
1/4 SCREW BELLEVILLE
SPRING LOCK WASHER

QTY: 8



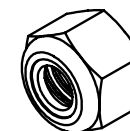
1/4 SCREW FLAT WASHER

QTY: 16



1/4-20 ECONOMY
T-NUT

QTY: 8



1/4-20 NYLON INSERT
LOCKNUT

QTY: 4

TOOLS REQUIRED FOR THIS STEP: + 3/16" ALLEN WRENCH
+ 7/16" WRENCH OR SOCKET

STEP | 01 LAYOUT AND INSTALL

1.1 Choosing Mounting Style: Our **Solar Panel Mounting Brackets** are designed to allow you to mount your solar panels to your FVC Roof Rack or any other roof rack that features 80/20 style extrusion crossbars. Consider the needs of your install and choose a mounting style that best suits your application. Below are links to find relevant dimensional information and images of what each mounting style looks like.

1.2 Attach Mounting Brackets to Solar Panel: Loosely attach Solar Panel to Mounting Brackets using a **1/4-20" Screw**, **two 1/4" Flat Washers** and a **Nylon Locknut** as shown in **FIG 1**.

1.3 Attach Mounting Brackets to Crossbars: Insert four **1/4" T-Nuts** into the **Crossbar (FIG 2)** and slide them into position. Loosely attach **Solar Panel and Bracket** to the **Crossbar** using **(2) 1/4-20" Screws**, a **1/4" Belleville Lock Washer** and a **1/4" Flat Washer** in the stacking configuration shown in **(FIG 3)**.

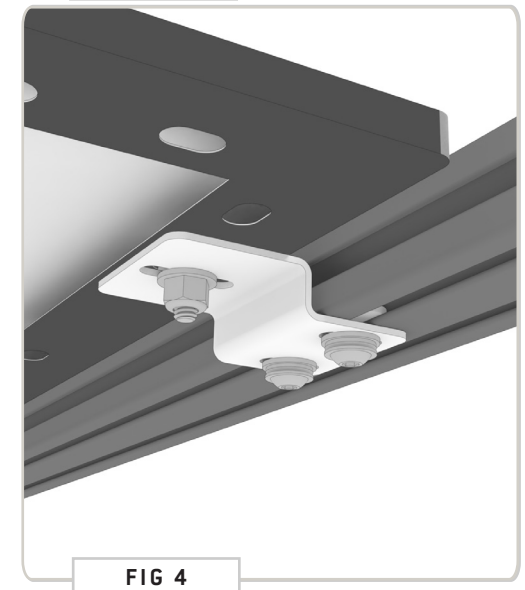
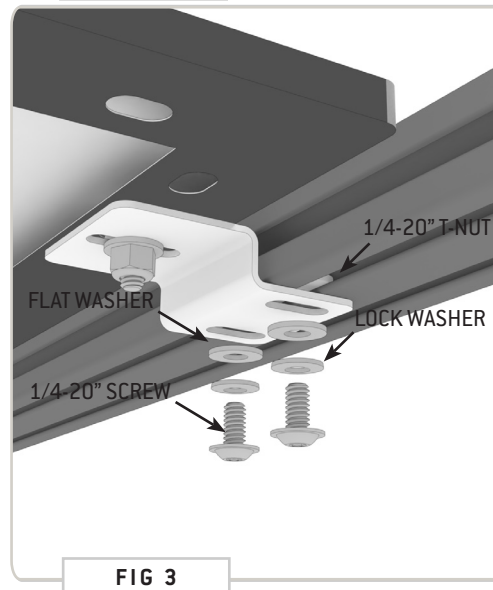
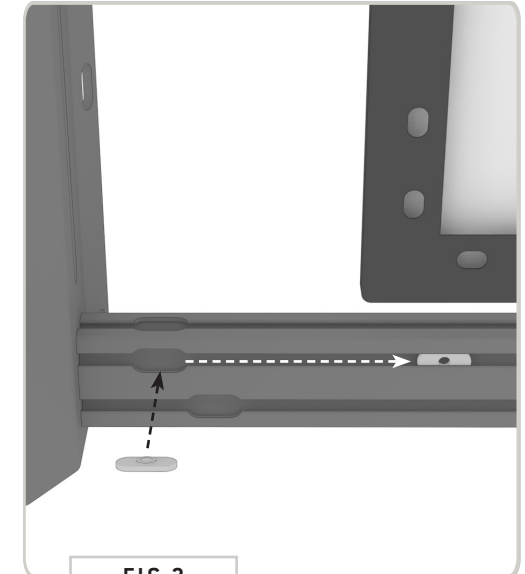
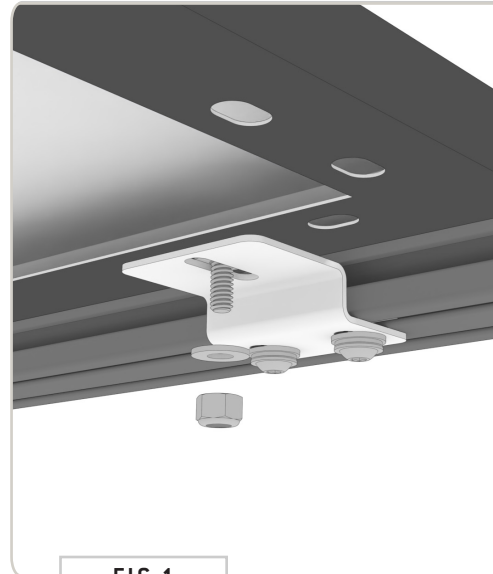
1.4 Tighten All Fasteners: Once you have positioned the assembly where you would like it along the Crossbar, tighten all fasteners to set it in place.

JUMP TO DIMENSIONAL INFORMATION BY INSTALL STYLE

[FLUSH MOUNT](#)

[BOTTOM MOUNT](#)

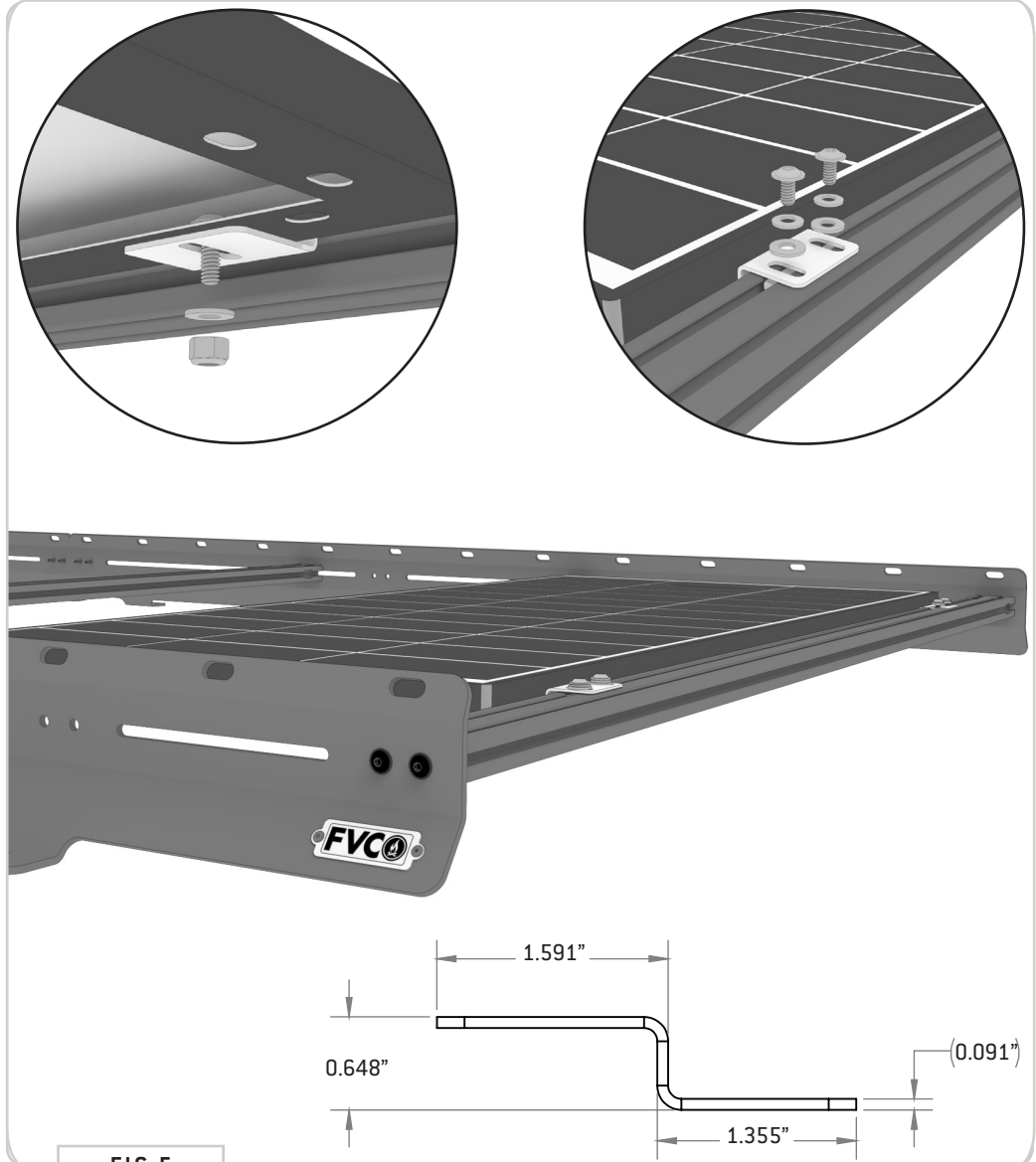
[RAISED MOUNT](#)



TOOLS REQUIRED FOR THIS STEP: + 3/16" ALLEN WRENCH
+ 7/16" WRENCH OR SOCKET

STEP | 02A FLUSH MOUNT INSTALL

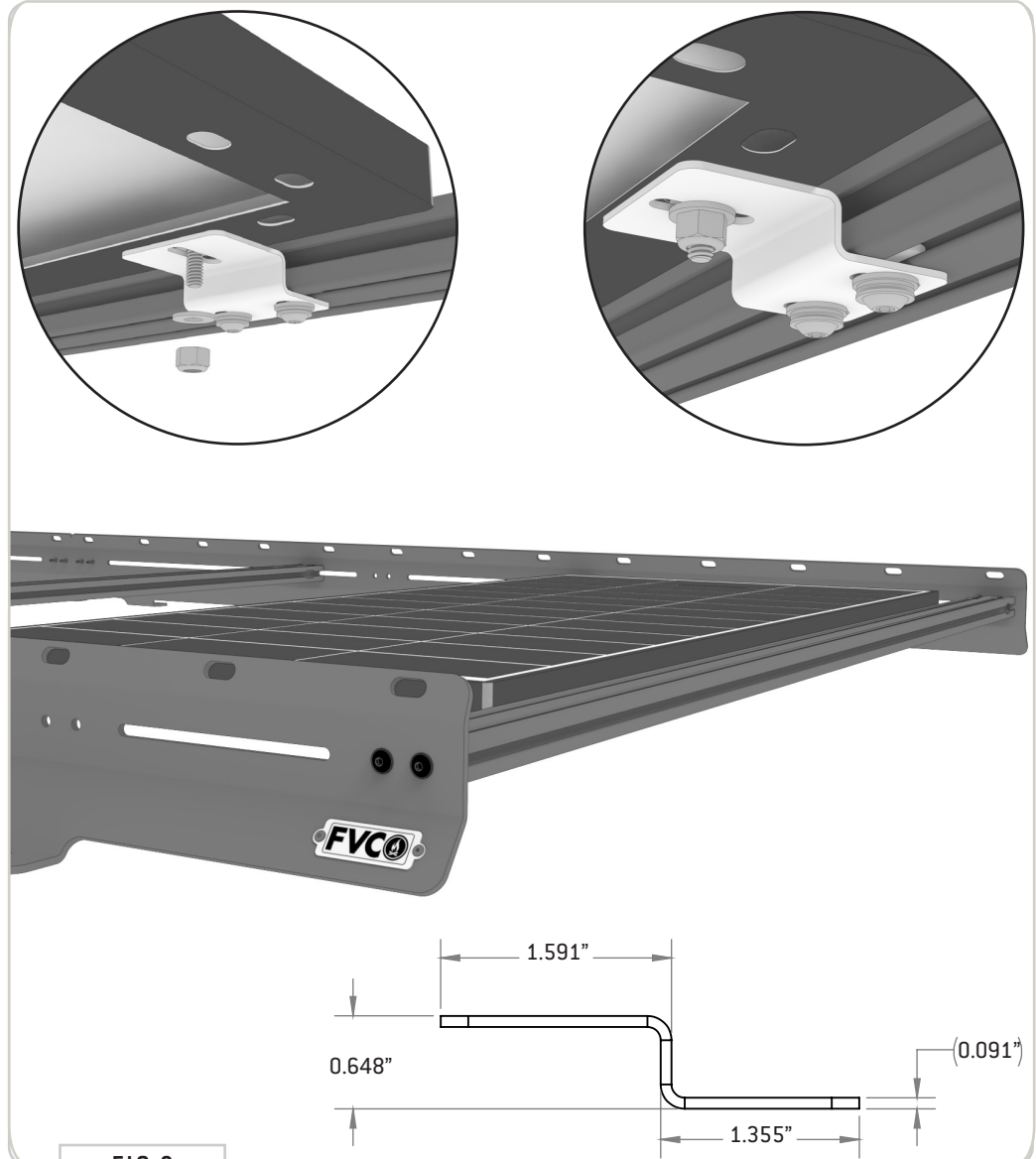
2.1a Flush-Mount: This is the most common option. Install the brackets in the **T-Slots** on the **top** of the **Crossbars**. Solar panels need to be 1.5" tall to be flush-mounted.



TOOLS REQUIRED FOR THIS STEP: + 3/16" ALLEN WRENCH
+ 7/16" WRENCH OR SOCKET

STEP | 02B BOTTOM MOUNT INSTALL

2.1b Bottom-Mount: This allows you to use the **Crossbar** for other purposes and have solar panels installed. Install the brackets in the **T-Slots** on the **bottom** of the **Crossbars**.



TOOLS REQUIRED FOR THIS STEP: + 3/16" ALLEN WRENCH
+ 7/16" WRENCH OR SOCKET

STEP | 02C RAISED MOUNT INSTALL

2.1c Raised-Mount: This allows you to mount the panels in any orientation. Flip the bracket over and install in the T-Slots on the **top** of the **Crossbars**.

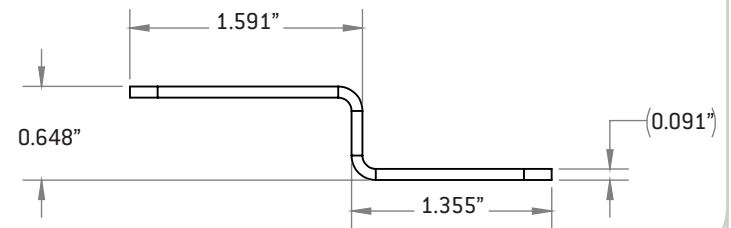
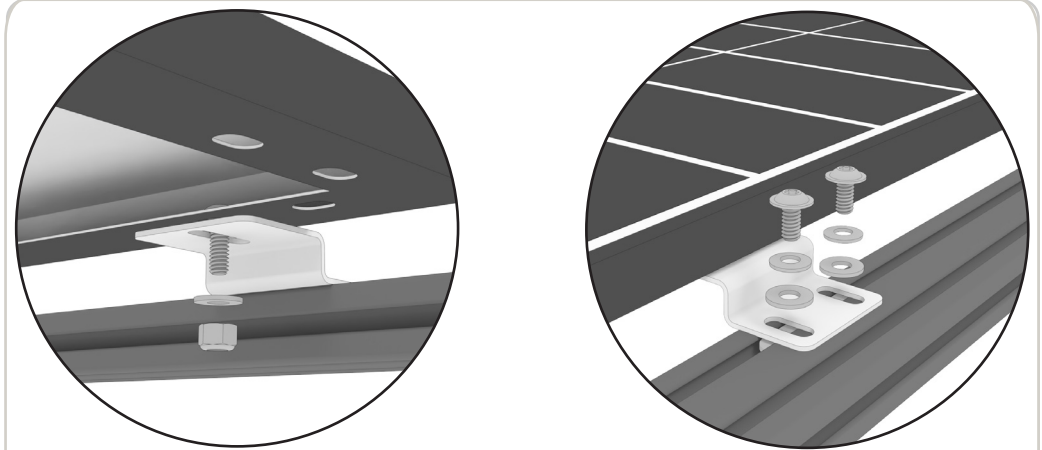


FIG 7

GET OUT AND EXPLORE!

+ LEAVE US A REVIEW

Happy with your new FVC product? We would love to hear (and see) from you! Head to the product page and click "Leave Review." Add a short review and upload a few photos to be showcased on the product page.

+ SHARE YOUR PICS

We love seeing how our customers use their FVC products and following along with your adventures. Tag us in your photos with: @flatlinevanco or send them to us via email. We love posting customer pictures in our feed!

+ NEED ANY HELP?

If you are having any issues with your product, please reach out, and we will make it right. FVC is a company of van and outdoor enthusiasts that design and use our own products, so we want you to be as stoked on your new parts as we are!



@FLATLINEVANCO