



# INSTALLATION GUIDE

## UNIVERSAL MOUNTING POSTS

UN0107B



### TOOLS REQUIRED (NOT INCLUDED)

- + MEASURING TAPE
- + 7/16" WRENCH OR SOCKET
- + 9/16" WRENCH OR SOCKET

### INSTALL INFO

TIME TO INSTALL THIS PRODUCT: 30 MINUTES

Additional help is suggested for a few of the install steps.

### BEFORE YOU START

Please inspect the product and packaging upon delivery to ensure there are no issues and that all parts and hardware are accounted for.

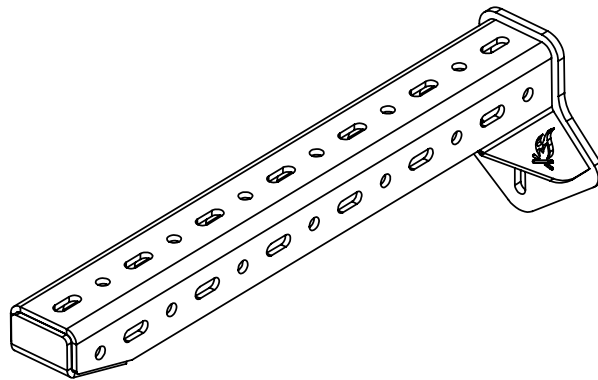
Contact us ASAP if anything is missing at:  
[support@flatlinevanco.com](mailto:support@flatlinevanco.com)

# BEFORE YOU START

All Flatline Van Co products must be properly assembled and secured before attaching to your vehicle. Improper attachment could result in an automobile accident, and could cause serious bodily injury or death to you or to others involved. You are responsible for assembling and securing Flatline Van Co products to your vehicle, checking the mounting points and attachments prior to use, and regularly inspecting the products for wear and or damage. We always recommend you use a professional to install any aftermarket accessories to your vehicle. If you have no mechanical experience and are not thoroughly familiar with the installation procedures, you must have the product installed by a professional installer or other qualified persons. The responsibility is yours and must be taken seriously for everyone's safety.



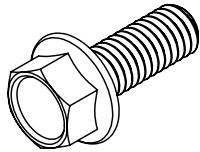
# PACKAGE CONTENTS



UNIVERSAL MOUNTING POSTS

QTY: 2

# HARDWARE



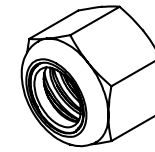
3/8-16 X 1 FLANGED  
HEX HEAD SCREW

QTY: 8



3/8 SCREW FLAT  
WASHER

QTY: 8



3/8-16 NYLON  
LOCKNUT

QTY: 8

## STEP | 01 LAYOUT AND INSTALL PREP

**1.1 Choosing Mounting Location:** The mounting location will depend on the accessories used with your rear platform mounting posts and the layout you choose. This guide provides useful dimensional information and recommends installation orientations based on different use cases. **FIG 1** shows examples of both the **upright** and **horizontal** mounting styles, with the posts positioned at their widest possible locations. Note that the **upright** and **horizontal** configurations allow have different available slots for mounting hardware.

**1.2 Attach Mounting Posts to Platform:** Attach Mounting Posts to Rear Door Platform using (3ea) 3/8" Screws, Washers and Nylon Locknuts.

**NOTE -** We recommend using the **horizontal and widest** mounting style when mounting up bike trays (like 1up) for maximum stability. The mounting posts can also be arranged on the same vertical plane to be used for snowboard/ski racks. This can provide storage for a lot of boards/skis!

### JUMP TO DIMENSIONAL INFORMATION BY PRODUCT

[Sprinter Driver/Passenger Rear Door Platforms](#)

[Transit Driver/Passenger Rear Door Platforms](#)

[Promaster Driver/Passenger Rear Door Platforms](#)

[Universal Mounting Posts](#)

**TOOLS REQUIRED FOR THIS STEP:** + MEASURING TAPE  
+ 7/16" WRENCH OR SOCKET  
+ 9/16" WRENCH OR SOCKET

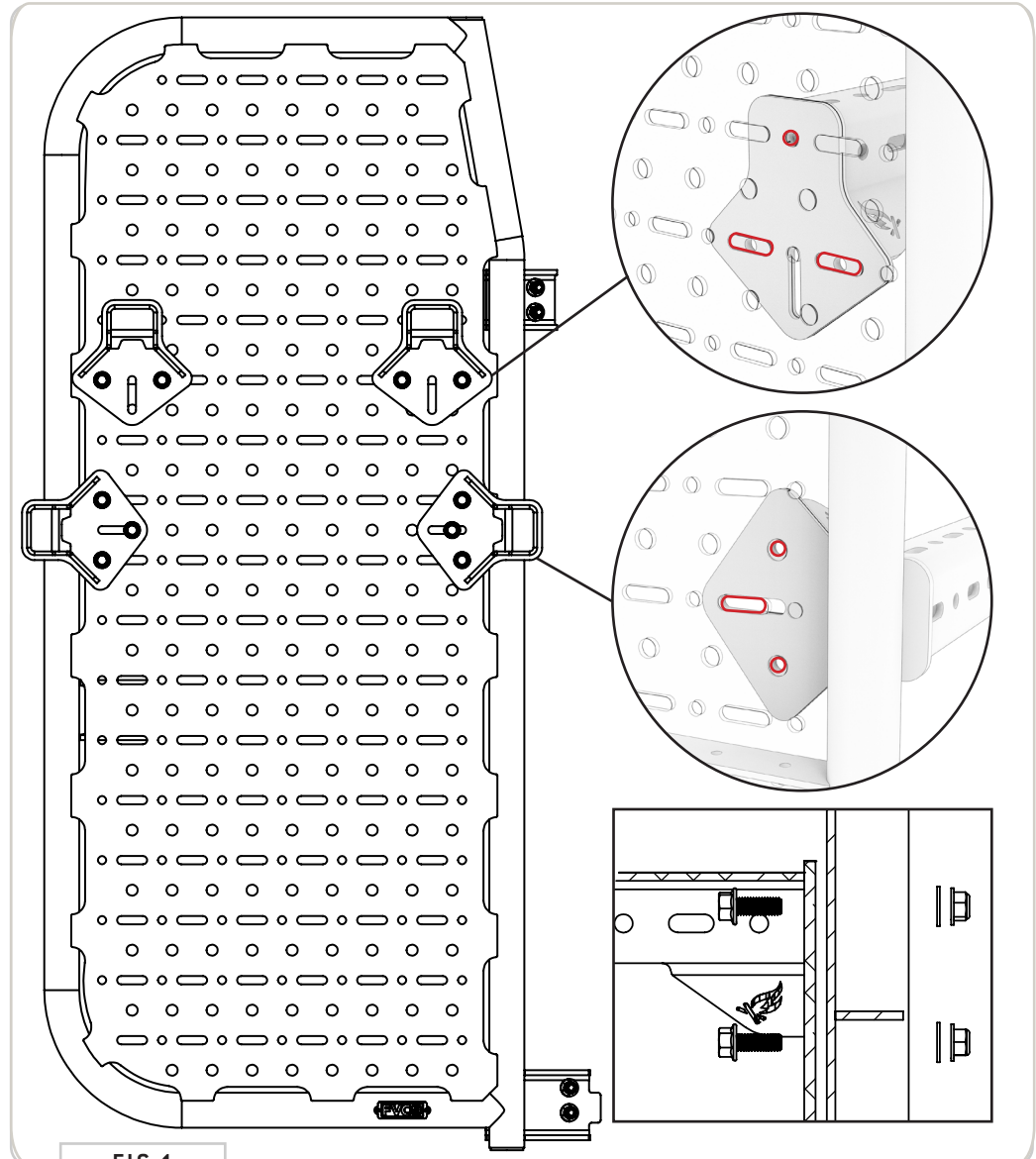


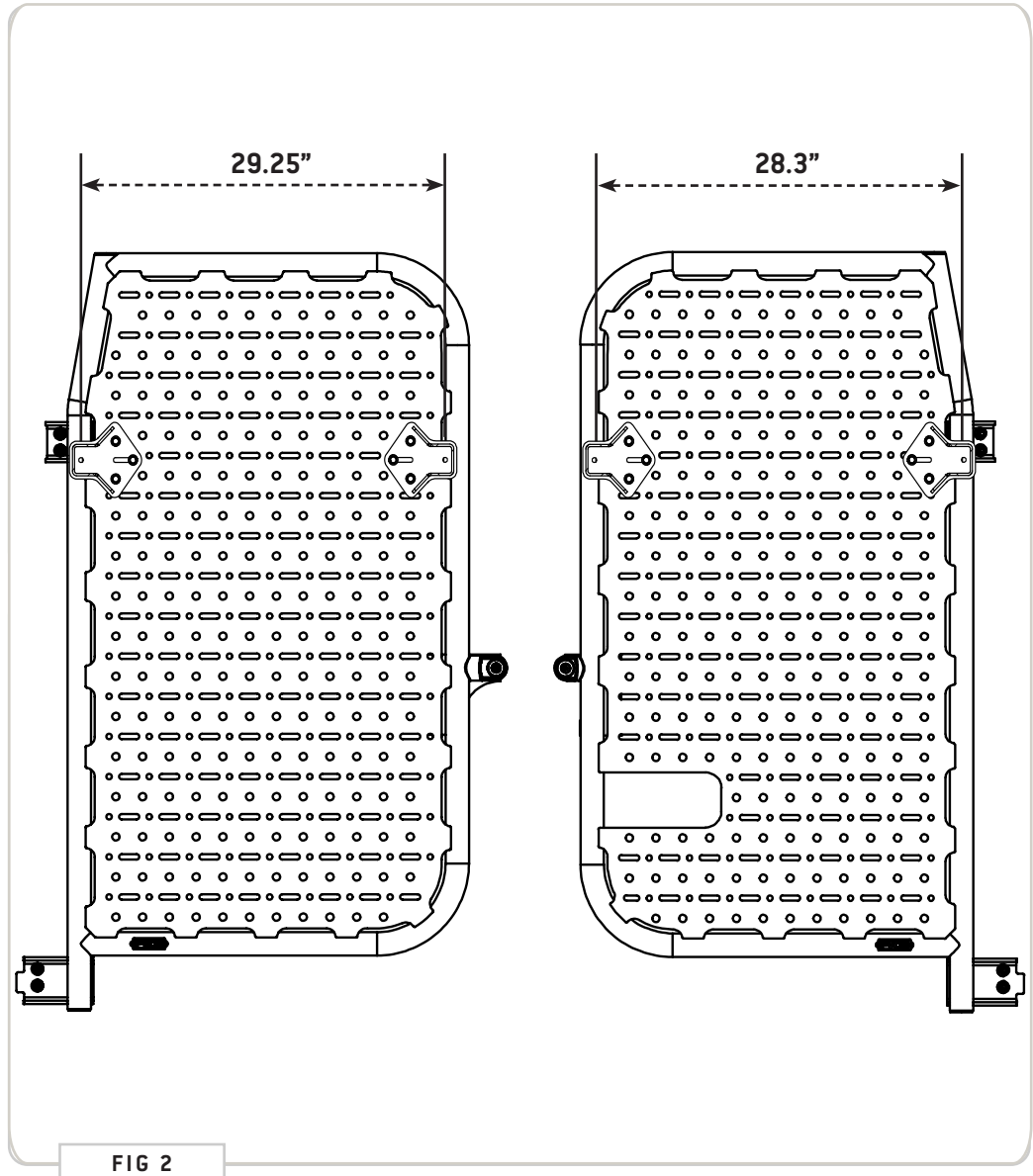
FIG 1

## STEP | 02A SPRINTER PLATFORMS

**2.1a Widest Possible Install Width for Posts in the Horizontal Position:** See FIG 2 for largest width between posts for the Driver and Passenger Side Rear Door Platforms.

**2.2a Widest Possible Install Width for Posts in the Vertical Position:** See FIG 2 for largest width between posts for the Driver and Passenger Side Rear Door Platforms.

**TOOLS REQUIRED FOR THIS STEP:** + MEASURING TAPE  
+ 7/16" WRENCH OR SOCKET  
+ 9/16" WRENCH OR SOCKET



## STEP | 02B TRANSIT PLATFORMS

**2.1b Widest Possible Install Width for Posts in the Horizontal Position:** See FIG 3 for largest width between posts for the Driver and Passenger Side Rear Door Platforms.

**2.2b Widest Possible Install Width for Posts in the Vertical Position:** See FIG 3 for largest width between posts for the Driver and Passenger Side Rear Door Platforms.

**TOOLS REQUIRED FOR THIS STEP:** + MEASURING TAPE  
+ 7/16" WRENCH OR SOCKET  
+ 9/16" WRENCH OR SOCKET

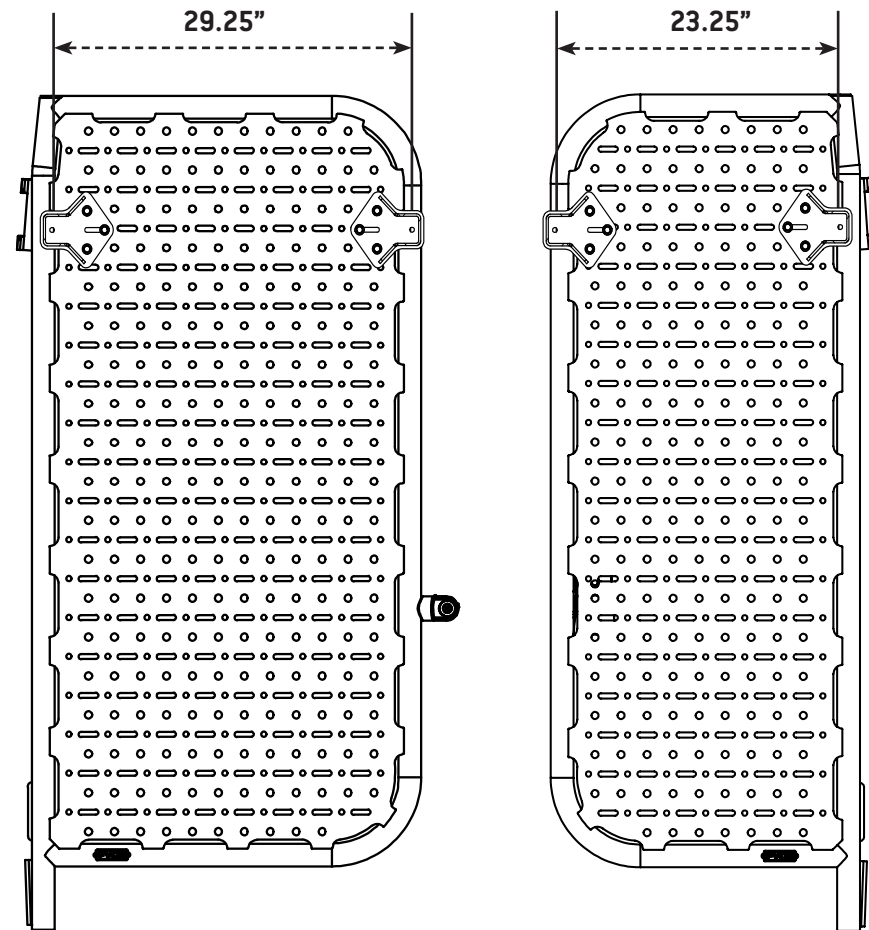


FIG 3

## STEP | 02C PROMASTER PLATFORMS

**2.1c Widest Possible Install Width for Posts in the Horizontal Position:** See FIG 4 for largest width between posts for the Driver and Passenger Side Rear Door Platforms.

**2.2c Widest Possible Install Width for Posts in the Vertical Position:** See FIG 4 for largest width between posts for the Driver and Passenger Side Rear Door Platforms.

**TOOLS REQUIRED FOR THIS STEP:** + MEASURING TAPE  
+ 7/16" WRENCH OR SOCKET  
+ 9/16" WRENCH OR SOCKET

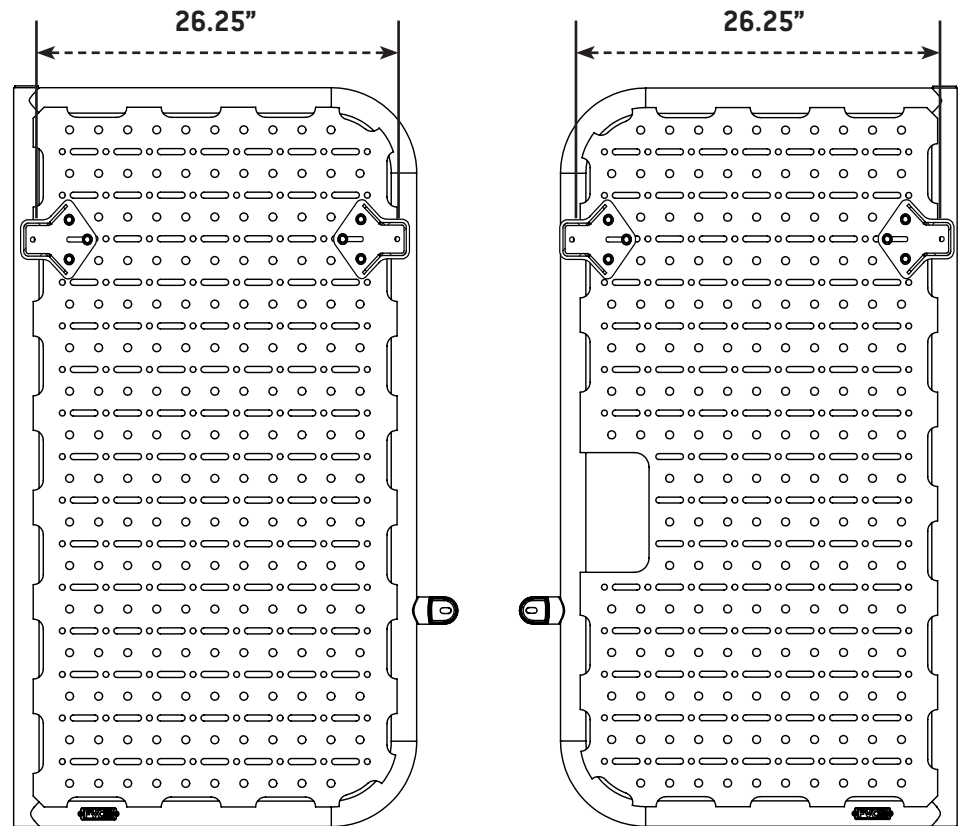


FIG 4



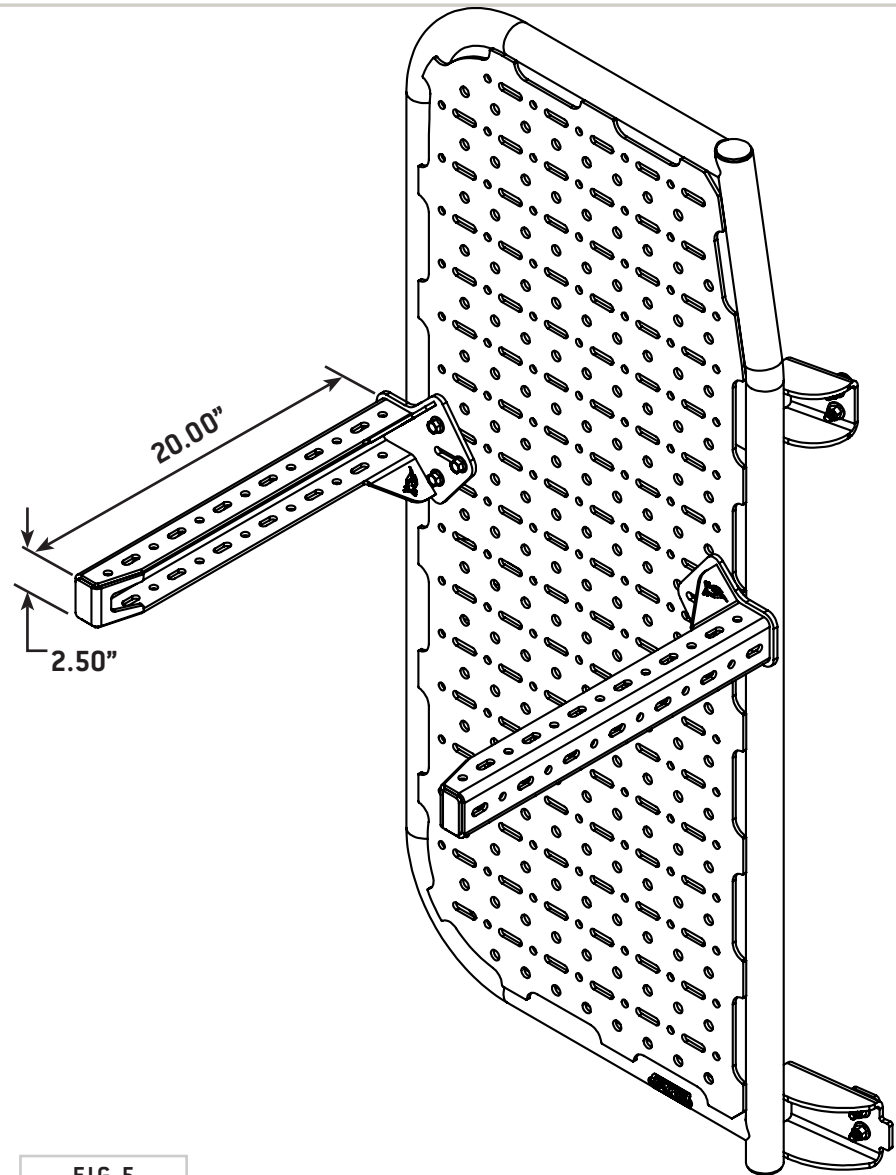
## STEP | 02D MOUNTING POSTS

**2.1d Mounting Posts Dimensional Information:** See FIG 5 for relevant dimensional information pertaining to the length and width of the **Mounting Posts** themselves.

**NOTE** - The **holes and slots** of the post are sized for **3/8" Sized Hardware** for your reference.

**TOOLS REQUIRED FOR THIS STEP:**

- + MEASURING TAPE
- + 7/16" WRENCH OR SOCKET
- + 9/16" WRENCH OR SOCKET



# GET OUT AND EXPLORE!

## + LEAVE US A REVIEW

---

Happy with your new FVC product? We would love to hear (and see) from you! Head to the product page and click "Leave Review." Add a short review and upload a few photos to be showcased on the product page.

## + SHARE YOUR PICS

---

We love seeing how our customers use their FVC products and following along with your adventures. Tag us in your photos with: @flatlinevanco or send them to us via email. We love posting customer pictures in our feed!

## + NEED ANY HELP?

---

If you are having any issues with your product, please reach out, and we will make it right. FVC is a company of van and outdoor enthusiasts that design and use our own products, so we want you to be as stoked on your new parts as we are!



@FLATLINEVANCO