



# INSTALLATION GUIDE

## TRANSIT VAN SURF POLE - HIGH ROOF/MID ROOF TR0207B + TR0208B



### TOOLS REQUIRED (NOT INCLUDED)

- |                 |                      |
|-----------------|----------------------|
| + TAPE MEASURE  | + 3/8" SOCKET        |
| + IMPACT DRIVER | + 7/32" ALLEN WRENCH |
| + POWER DRILL   | + 5/32" ALLEN WRENCH |
| + MARKER        | + 25/64" DRILL BIT   |
| + 9/16" SOCKET  |                      |

### INSTALL INFO

TIME TO INSTALL THIS PRODUCT: 1 HOUR

Additional help is suggested for a few of the install steps.

### BEFORE YOU START

Please inspect the product and packaging upon delivery to ensure there are no issues and that all parts and hardware are accounted for.

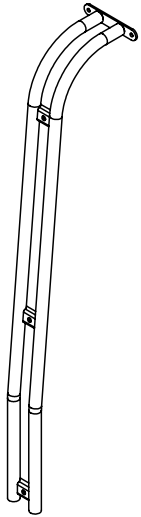
Contact us ASAP if anything is missing at:  
[support@flatlinevanco.com](mailto:support@flatlinevanco.com)

# BEFORE YOU START

All Flatline Van Co products must be properly assembled and secured before attaching to your vehicle. Improper attachment could result in an automobile accident, and could cause serious bodily injury or death to you or to others involved. You are responsible for assembling and securing Flatline Van Co products to your vehicle, checking the mounting points and attachments prior to use, and regularly inspecting the products for wear and or damage. We always recommend you use a professional to install any aftermarket accessories to your vehicle. If you have no mechanical experience and are not thoroughly familiar with the installation procedures, you must have the product installed by a professional installer or other qualified persons. The responsibility is yours and must be taken seriously for everyone's safety.

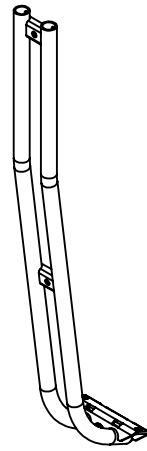


# PACKAGE CONTENTS



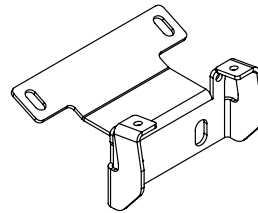
TOP WELDMENT

QTY: 1



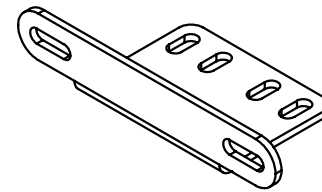
BOTTOM WELDMENT

QTY: 1



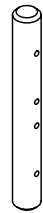
HANGAR BRACKET

QTY: 1



SAFARI BRACKET

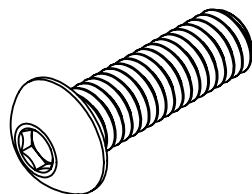
QTY: 1



BAYONET

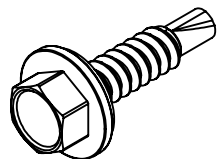
QTY: 2

# HARDWARE



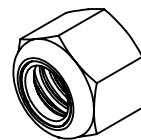
3/8-16 X 1.25 BUTTON HEAD  
HEX DRIVE SCREW

QTY: 2



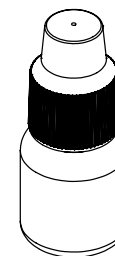
1/4 X 1 HEX HEAD WITH  
SEALING WASHER DRILLING  
SCREW

QTY: 4



3/8-16 NYLON INSERT  
LOCKNUT

QTY: 8



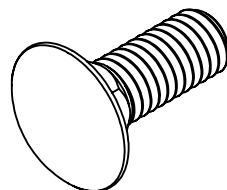
5ML THREADLOCKER  
BOTTLE

QTY: 1



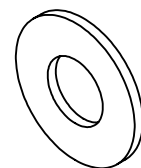
1/4-20 X 0.75 FLANGED  
BUTTON HEAD HEX DRIVE

QTY: 8



3/8-16 X 1 SQUARE NECK  
CARRIAGE BOLT

QTY: 6



3/8 SCREW FLAT  
WASHER

QTY: 10

# INSTALL

## STEP | 01 LAYOUT AND INSTALL PREP

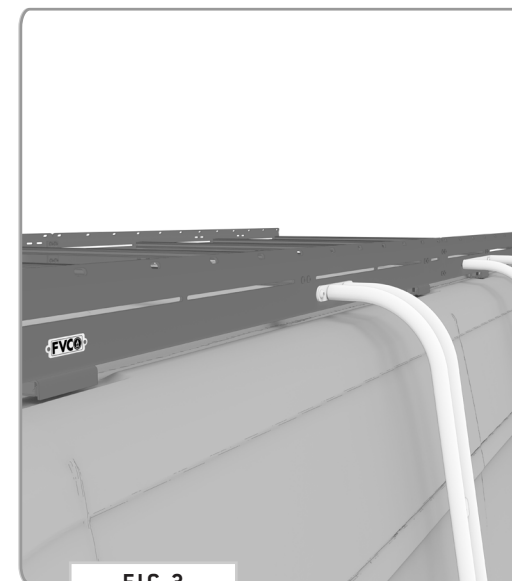
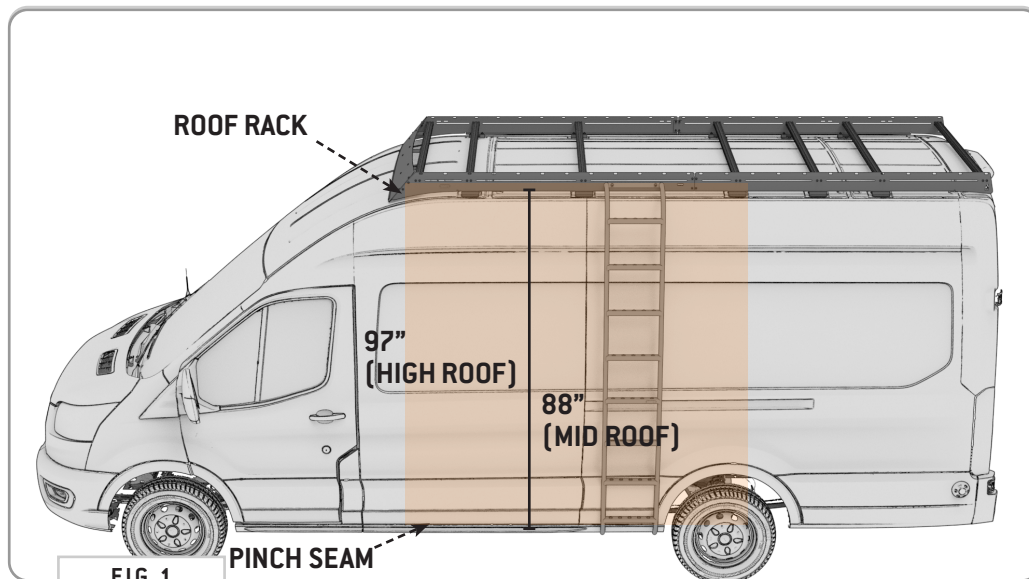
**1.1 Identify Van Configuration:** There could be any number of accessories mounted to your van that may inform the way you approach the install of your **Surf Pole** (Roof Racks, Side Steps, Water Tanks, etc.) See **FIG 1** for key areas that will need accessed.

**1.2 FVC Products Compatibility:** The **Surf Pole** is designed to be mounted into an **FVC Low Pro Roof Rack or Safari Rack**. If you have a rack other than an FVC one, note the height of the **Surf Pole** (**FIG 1**) and measure to determine if it will work for you. You can also mount the **Surf Pole** into your **FVC Side Steps**.

**1.3 Layout Location of Surf Pole:** Take the time to dry-fit the surf pole to your van, consider the needs of your application and mark the desired location of your install with tape or a marker.

**NOTE -** The van pictured is a 148" High Roof, but the same principles apply to the other wheelbase types.

TOOLS REQUIRED FOR THIS STEP: + TAPE MEASURE  
+ MASKING TAPE

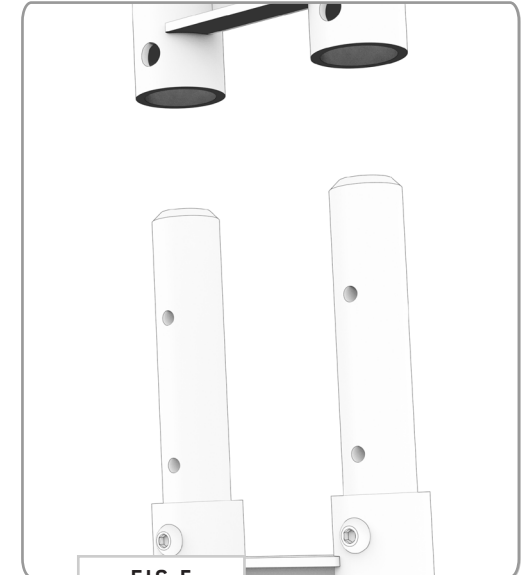
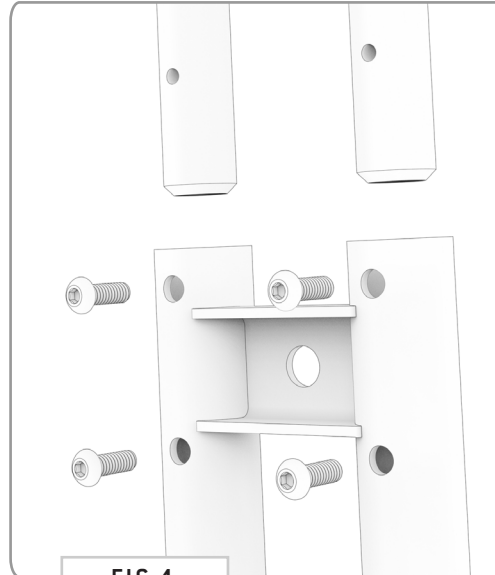


TOOLS REQUIRED FOR THIS STEP: + 5/32" ALLEN WRENCH

## STEP | 02 SURF POLE ASSEMBLY

**2.1 Install Bayonets to Bottom Weldment:** Find the **Bottom Weldment** and insert **Bayonets** as shown in FIG 4. Secure using **(4) 1/4-20 x 0.75 Flanged Button Head Hex Drive Screws and Loctite**.

**2.2 Attach Top Weldment:** Find the **Top Weldment** and attach to protruding Bayonets using **(4) 1/4-20 x 0.75 Flanged Button Head Hex Drive Screws and Loctite** as shown in FIG 5-7.



**TOOLS REQUIRED FOR THIS STEP:** + 3/8" SOCKET  
+ IMPACT DRIVER

## STEP | 03 DIRECT TO VAN INSTALL

**3.1a Position Hangar Bracket:** Once you've determined where you'd like to install your **Surf Pole**, attach the **Hangar Bracket** to the van's **Pinch Seam** by driving **(2) 1/4-20 x 1 Self-Tapping Screws** through the front of the **Bracket** in the locations shown in **FIG 10+11**.

**3.2a Secure Hangar Bracket:** Secure **Hangar Bracket** to **Pinch Seam** using **(4) 1/4-20 x 1 Self-Tapping Screws** in the locations shown in **FIG 10+11**.

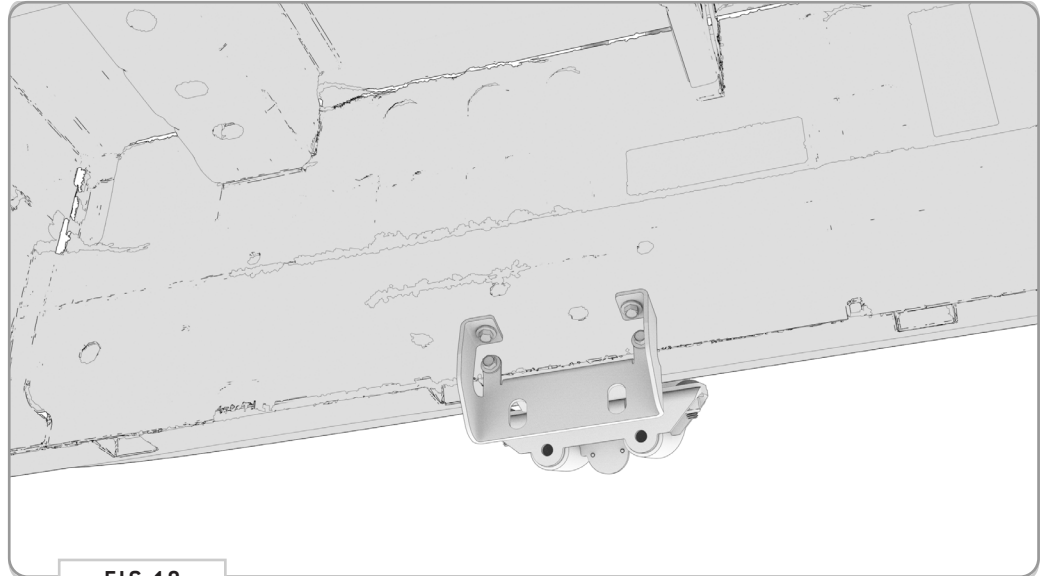


FIG 10

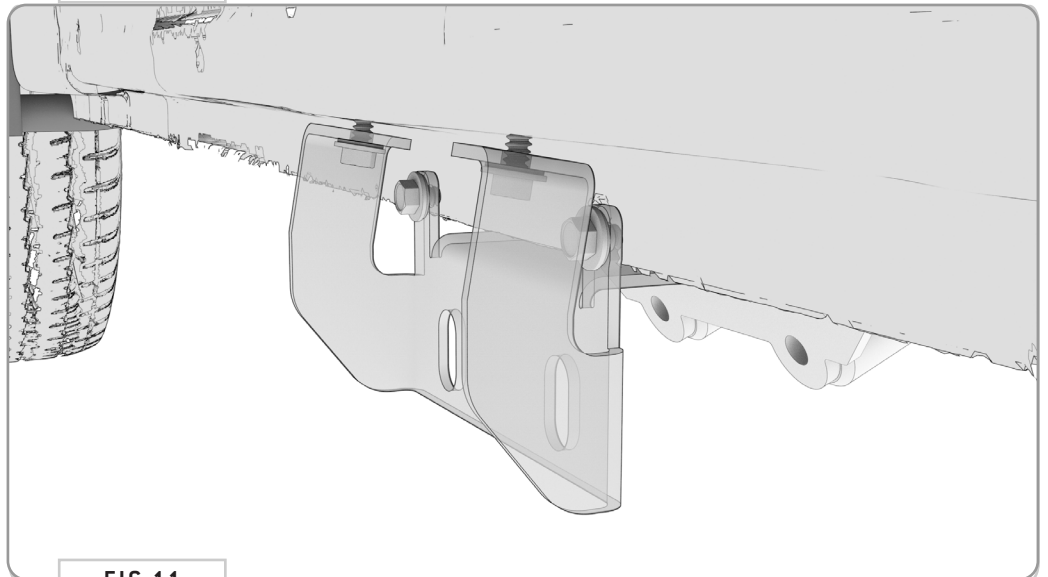


FIG 11

## STEP | 03 SIDE STEP INTSTALL

**3.1b Direct Mount to FVC Side Steps:** Loosen the 3/8-16" Bolts holding the Driver Side Step Weldment to your Hangar Brackets. Remove the Bolts holding the Joining Plate to the Weldment (FIG 8) and replace using the supplied Surf Pole Hangar Bracket and existing hardware (FIG 9).

**3.2b Secure Hangar Bracket:** Secure Hangar Bracket to Pinch Seam using (4) 1/4-20 x 1 Self-Tapping Screws in the locations shown in FIG 9.

**TOOLS REQUIRED FOR THIS STEP:** + IMPACT DRIVER  
+ 3/8" SOCKET  
+ 9/16" SOCKET

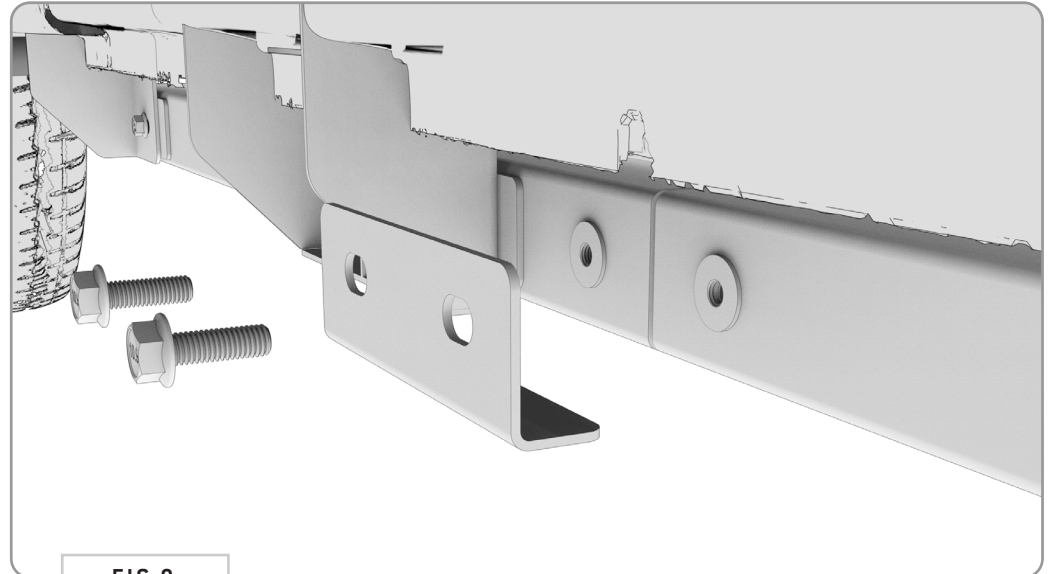


FIG 8

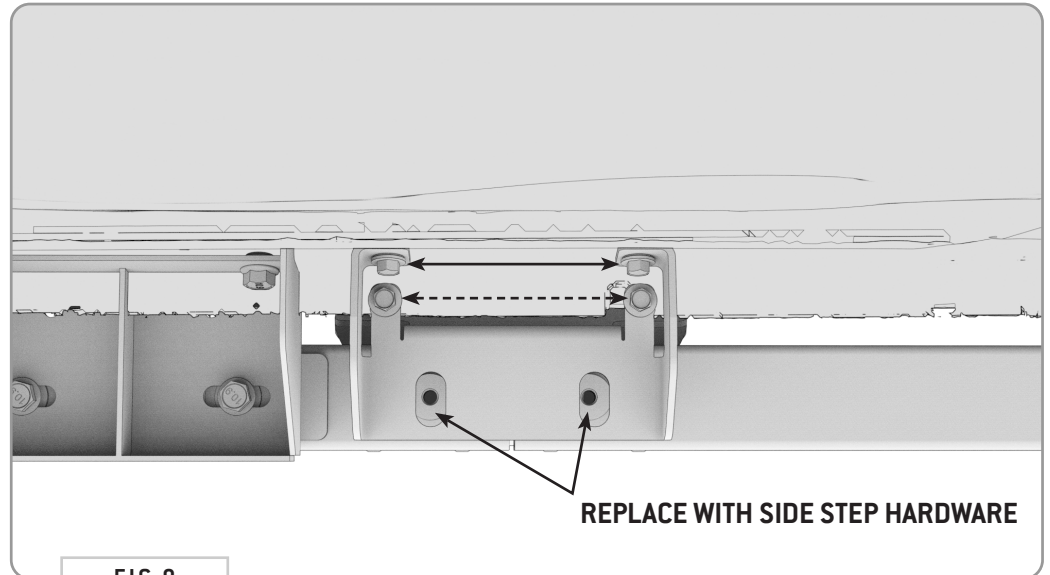


FIG 9



## STEP | 04 SURF POLE ALIGNMENT

**4.1 Surf Pole to Hangar Bracket Mount:** Loosely attach your Surf Pole to the installed Surf Pole Hangar Bracket as shown (FIG 12) using the provided 3/8-16" Carriage Bolts, Flat Washers and Nylon Locknuts.

**4.2 Align Pole to Secondary Mounting Point:** Whether you are using an FVC Side Ladder (FIG 13) or a secondary Surf Pole (FIG 14), measure to ensure that the distance between mounting points is square from the top to the bottom.

**TOOLS REQUIRED FOR THIS STEP:** + 9/16" WRENCH OR SOCKET  
+ TAPE MEASURE

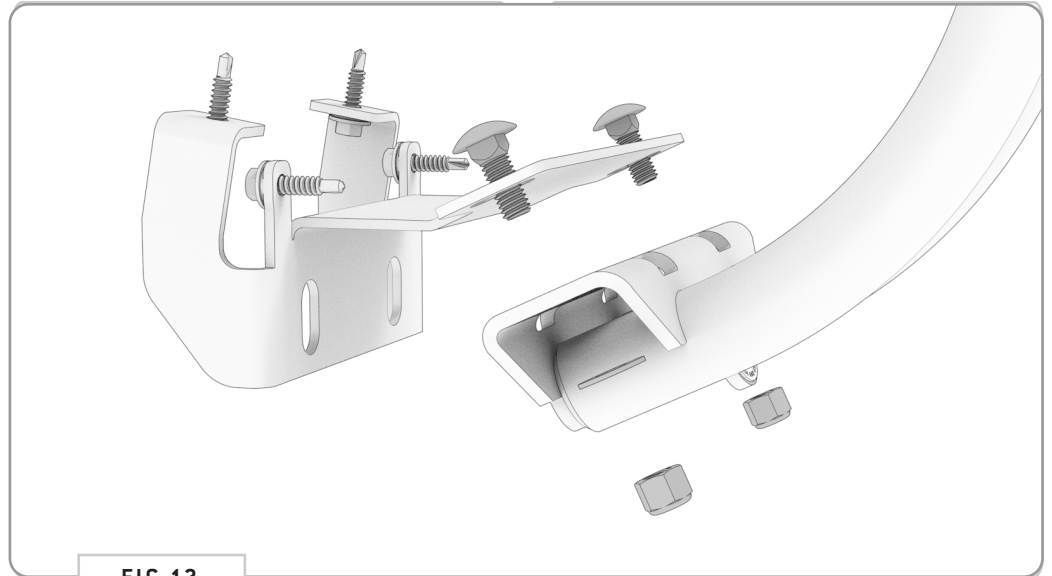


FIG 12

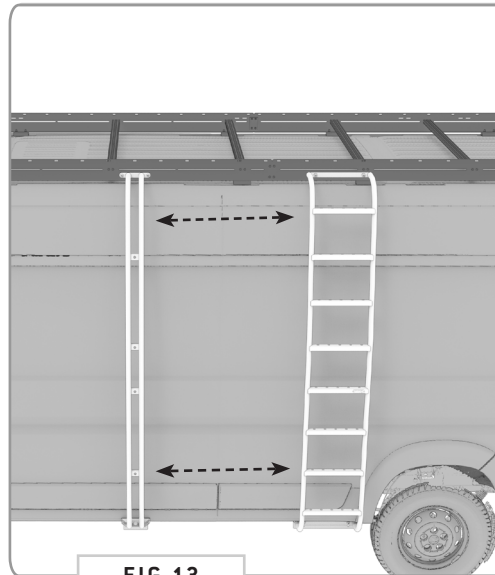


FIG 13

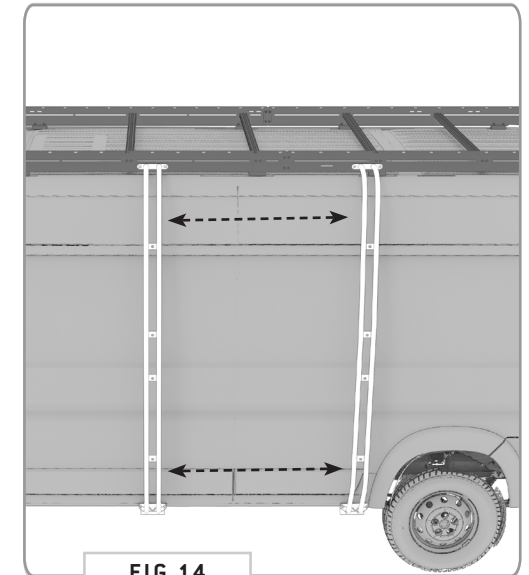


FIG 14

## STEP | 05 SURF POLE INSTALL (LOW PRO)

**5.1a Mark Drill Holes:** Once you have ensured alignment, mark the **Drill Locations** through the mounting points of the **Surf Pole** (**FIG 15**).

**5.2a Drill Holes:** Remove the **Surf Pole** from the **Hangar Bracket** and drill out the holes using a **25/64" Drill Bit** (**FIG 16**).

**NOTE - FVC Low Pro Roof Rails** are made from aluminum and therefore won't rust. If you have a Roof Rack solution of a different material that will rust, be sure to paint these drill holes using a rust preventative paint.

**TOOLS REQUIRED FOR THIS STEP:**

- + MARKER
- + POWER DRILL
- + 25/64" DRILL BIT

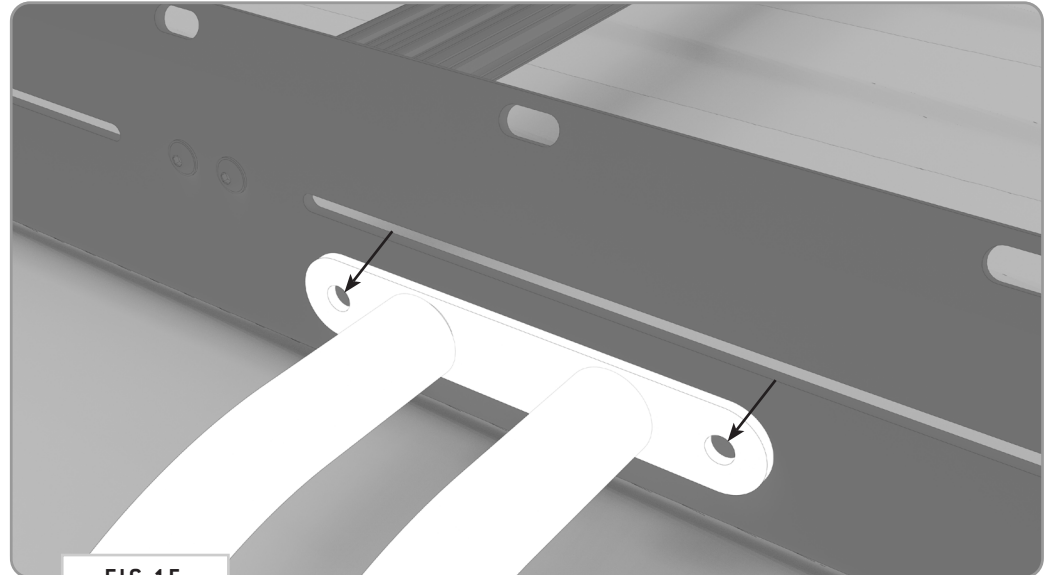


FIG 15

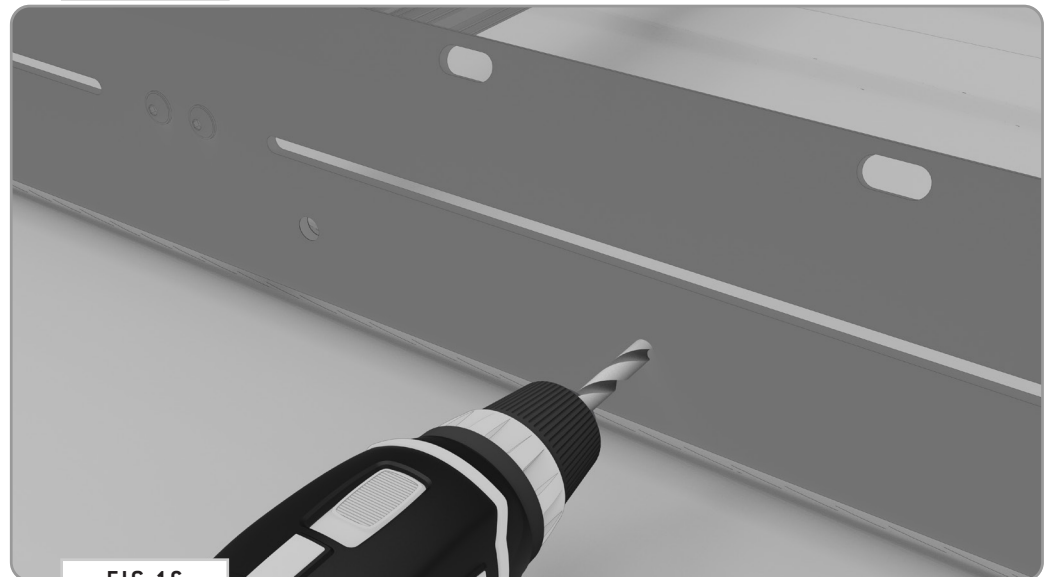


FIG 16

TOOLS REQUIRED FOR THIS STEP: + 9/16" WRENCH OR SOCKET

## STEP | 05 SURF POLE INSTALL (SAFARI)

**5.1b Attach Safari Bracket:** Attach the Safari Mounting Bracket to your Safari Rack in your desired location using **3/8-16" Carriage Bolts, Flat Washers and Nylon Locknuts (FIG 17+18)**.

**5.2b Attach Surf Pole to Safari Bracket:** Loosely attach the Surf Pole to the Safari Bracket using **3/8-16" Carriage Bolts, Flat Washers and Nylon Locknuts (FIG 19)**.

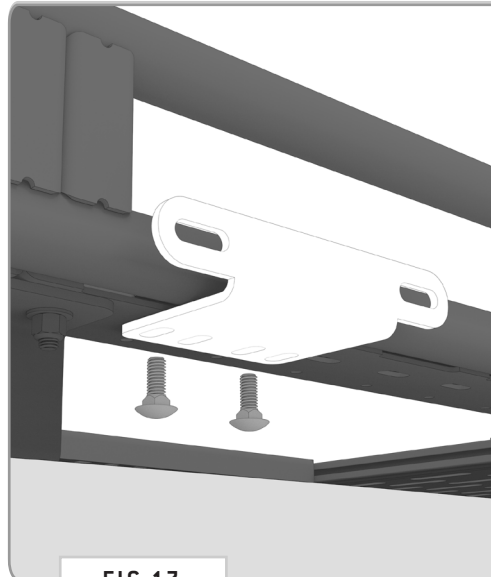


FIG 17

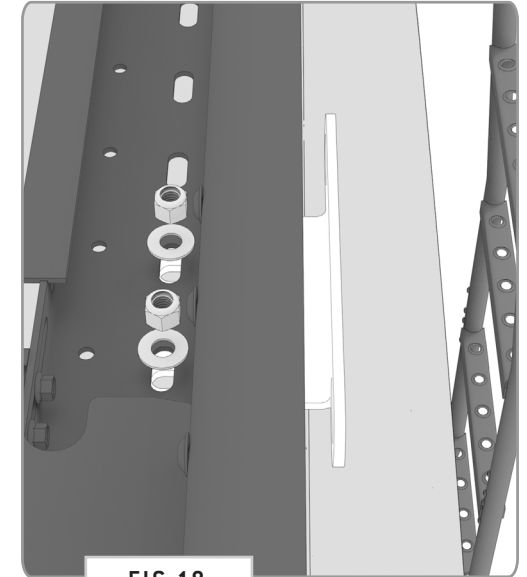


FIG 18

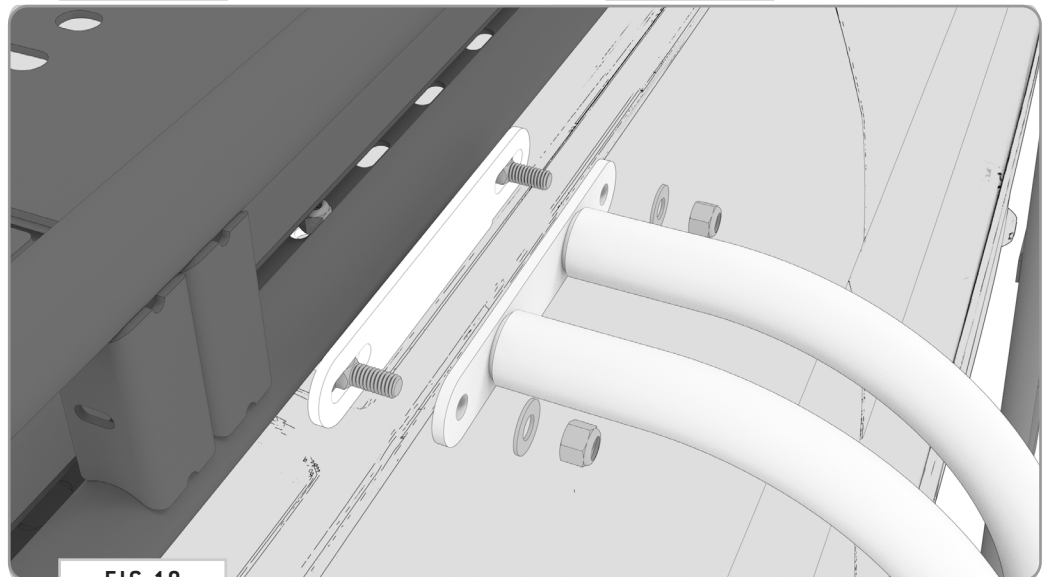


FIG 19

## STEP | 05 SURF POLE INSTALL

**5.3 Reattach to Hanger Bracket:** Loosely reattach your **Surf Pole** to the installed **Surf Pole Hanger Bracket** as shown (**FIG 20**) using the provided **3/8-16" Carriage Bolts, Flat Washers and Nylon Locknuts**.

**5.4 Attach to Roof Rack (Low Pro):** Loosely attach your **Surf Pole** to the drilled out mounting holes as shown (**FIG 21**) using the provided **3/8-16" Button Head Screws, Flat Washers and Nylon Locknuts**.

**5.5 Confirm Alignment and Tighten Fasteners:** Take a step back, confirm alignment, then go through and tighten all of your **3/8-16" fasteners** along the **Hanger Bracket** and **Roof Rack**.

**TOOLS REQUIRED FOR THIS STEP:** + 9/16" WRENCH OR SOCKET  
+ 7/32" ALLEN WRENCH

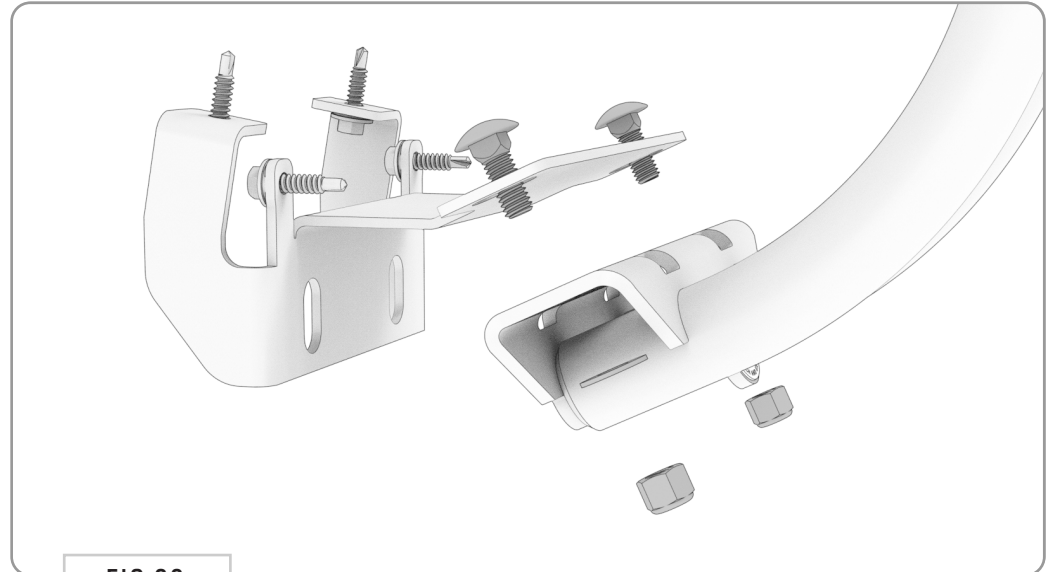


FIG 20

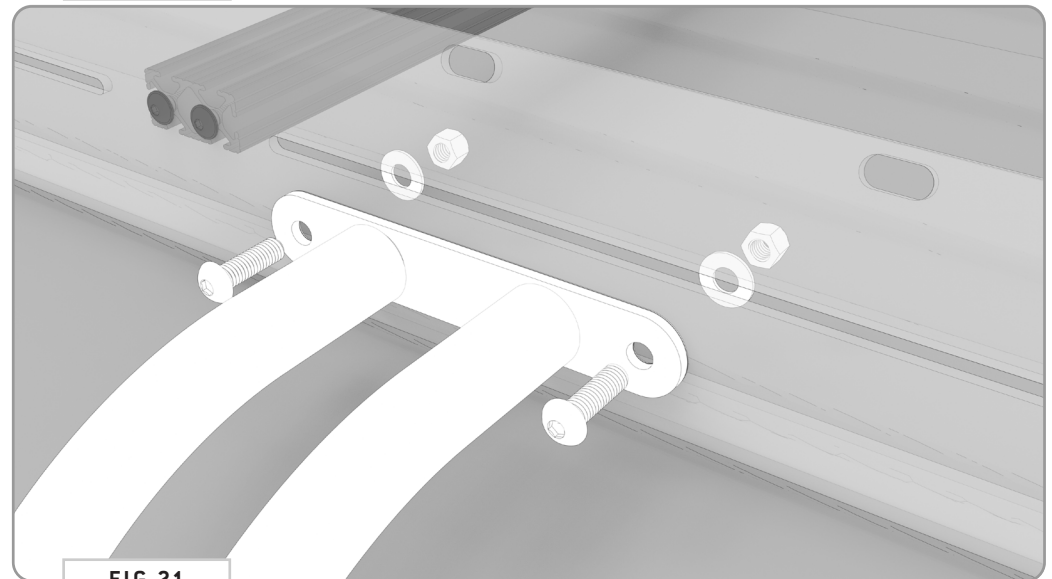


FIG 21

# GET OUT AND EXPLORE!

## + LEAVE US A REVIEW

---

Happy with your new FVC product? We would love to hear (and see) from you! Head to the product page and click “Leave Review.” Add a short review and upload a few photos to be showcased on the product page.

## + SHARE YOUR PICS

---

We love seeing how our customers use their FVC products and following along with your adventures. Tag us in your photos with: @flatlinevanco or send them to us via email. We love posting customer pictures in our feed!

## + NEED ANY HELP?

---

If you are having any issues with your product, please reach out, and we will make it right. FVC is a company of van and outdoor enthusiasts that design and use our own products, so we want you to be as stoked on your new parts as we are!



@FLATLINEVANCO