



INSTALLATION GUIDE

TRANSIT TRAIL VAN SIDE LADDER - ALL TYPES TR0205B + TR0206B



TOOLS REQUIRED (NOT INCLUDED)

- + 9/16" WRENCH OR SOCKET
- + 5/32" ALLEN WRENCH
- + 7/32" ALLEN WRENCH
- + TAPE MEASURE

INSTALL INFO

TIME TO INSTALL THIS PRODUCT: 1 HOUR

Additional help is suggested for a few of the install steps.

BEFORE YOU START

Please inspect the product and packaging upon delivery to ensure there are no issues and that all parts and hardware are accounted for.

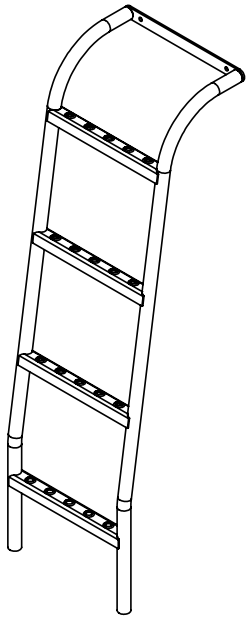
Contact us ASAP if anything is missing at:
support@flatlinevanco.com

BEFORE YOU START

All Flatline Van Co products must be properly assembled and secured before attaching to your vehicle. Improper attachment could result in an automobile accident, and could cause serious bodily injury or death to you or to others involved. You are responsible for assembling and securing Flatline Van Co products to your vehicle, checking the mounting points and attachments prior to use, and regularly inspecting the products for wear and or damage. We always recommend you use a professional to install any aftermarket accessories to your vehicle. If you have no mechanical experience and are not thoroughly familiar with the installation procedures, you must have the product installed by a professional installer or other qualified persons. The responsibility is yours and must be taken seriously for everyone's safety.

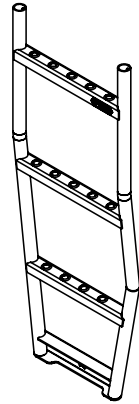


PACKAGE CONTENTS



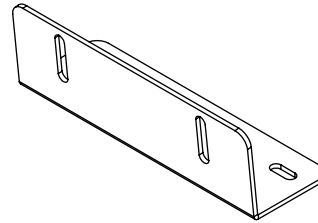
LADDER UPPER HALF

QTY: 1



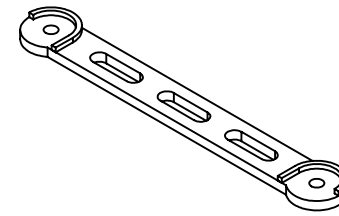
LADDER LOWER HALF

QTY: 1



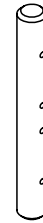
STEP BRACKET

QTY: 1



SANDWICH PLATE

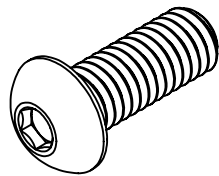
QTY: 1



BAYONET

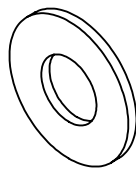
QTY: 2

HARDWARE



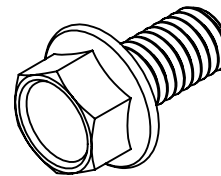
3/8-16 X 1 BUTTON HEAD
HEX DRIVE SCREW

QTY: 2



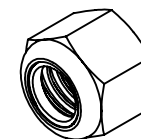
3/8 SCREW FLAT
WASHER

QTY: 10



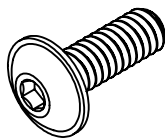
3/8-16 X 0.75 FLANGED HEX
HEAD SCREW

QTY: 2



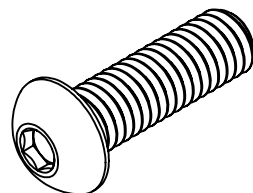
3/8-16 NYLON INSERT
LOCKNUT

QTY: 4



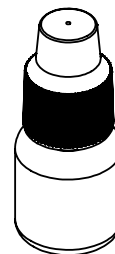
1/4-20 X 0.75 FLANGED
BUTTON HEAD HEX DRIVE
SCREW

QTY: 8



3/8-16 X 1.25 BUTTON HEAD HEX
DRIVE SCREW

QTY: 2



5ML THREADLOCKER
BOTTLE

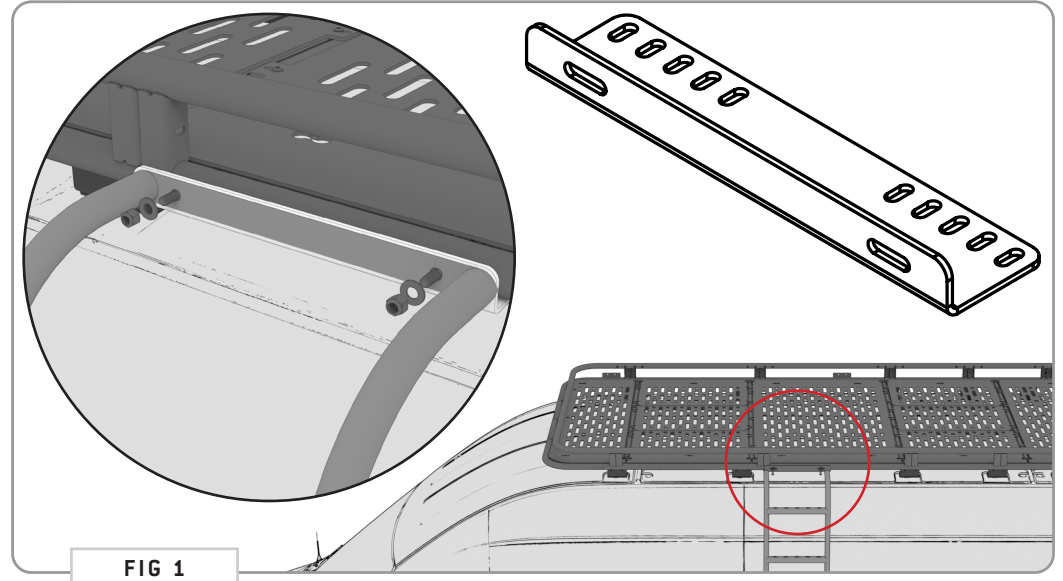
QTY: 1

INSTALL

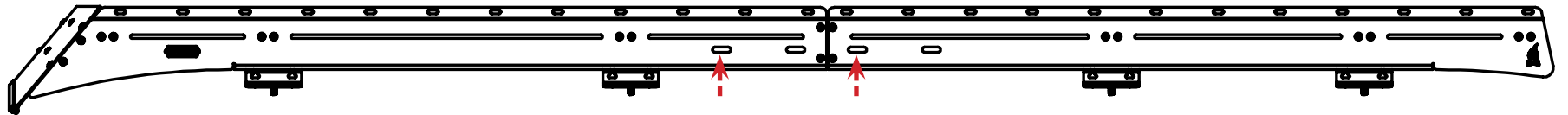
TOOLS REQUIRED FOR THIS STEP:

STEP | 01 LAYOUT AND INSTALL PREP

1.1 Identify Van Configuration: Our Transit Side Ladder is designed to be mounted to either our **Low Pro (FIG 2)** or **Safari Roof Racks (FIG 1)**. Identify the mounting location for your van type in FIG 2.



TR0101B - 148" HIGH ROOF



TR0104B - 148" MID ROOF

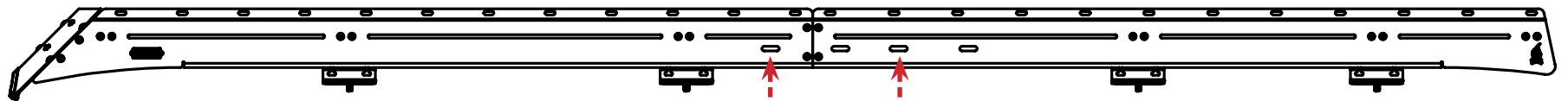


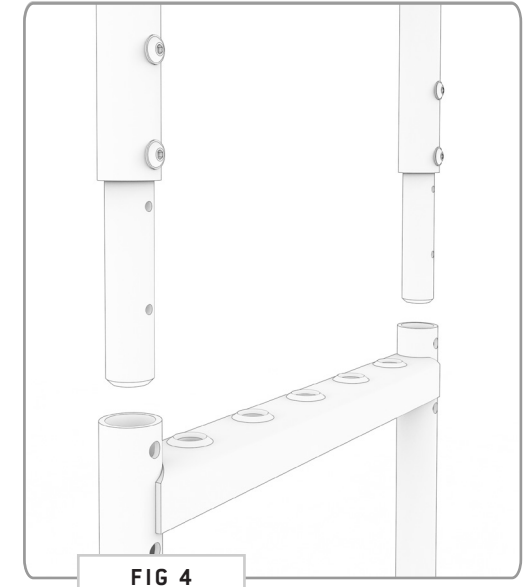
FIG 2

TOOLS REQUIRED FOR THIS STEP: + 5/32" ALLEN WRENCH

STEP | 02 SIDE LADDER ASSEMBLY

2.1 Install Bayonets to Top Ladder Half: Find the **Top Half** of the **Side Ladder** and insert **Bayonets** as shown in **FIG 3**. Secure using **(2ea) 1/4-20 x 0.75 Flanged Button Head Hex Drive Screws and Loctite**.

2.2 Attach Bottom Ladder Half: Find the **Bottom Half** of the **Side Ladder** and attach to protruding Bayonets using **(2ea) 1/4-20 x 0.75 Flanged Button Head Hex Drive Screws and Loctite** as shown in **FIG 4-6**.



STEP | 03 SIDE LADDER INSTALL

3.1 Position Sandwich Plate: Take the **Sandwich Plate** and position it by sliding it between the support arm and dimpled top plate of your side steps (**FIG 8**). Make sure it is in the orientation as shown in **FIG 7** that has the raised flanges facing upward. These will nestle around the downward-facing dimples of the Trail Side Steps.

TOOLS REQUIRED FOR THIS STEP:



FIG 7

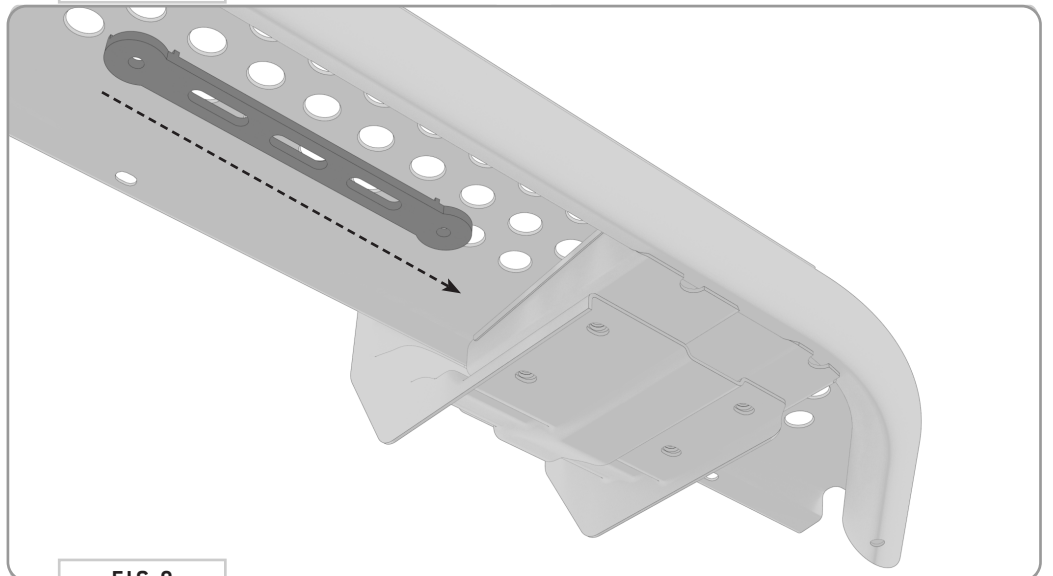


FIG 8

STEP | 03 SIDE LADDER INSTALL

3.2 Align Sandwich Plate to Mounting Holes: Align the Sandwich Plate to the mounting holes shown in FIG 10.

TOOLS REQUIRED FOR THIS STEP:

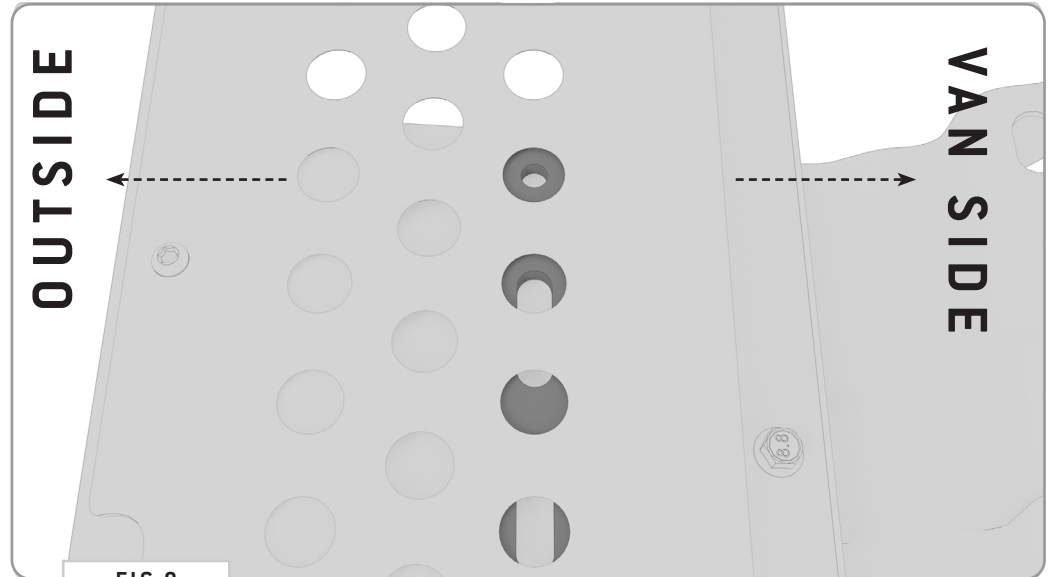


FIG 9



FIG 10

TOOLS REQUIRED FOR THIS STEP: + 9/16" SOCKET OR WRENCH

STEP | 03 SIDE LADDER INSTALL

3.3 Attach Mounting Bracket: Loosely attach the **Step Bracket** to the **Sandwich Plate** using (2) **3/8-16 x 0.75 Flanged Hex Head Screws** and the **Horizontal Mounting Slots** as shown in (FIG 11+ 12).

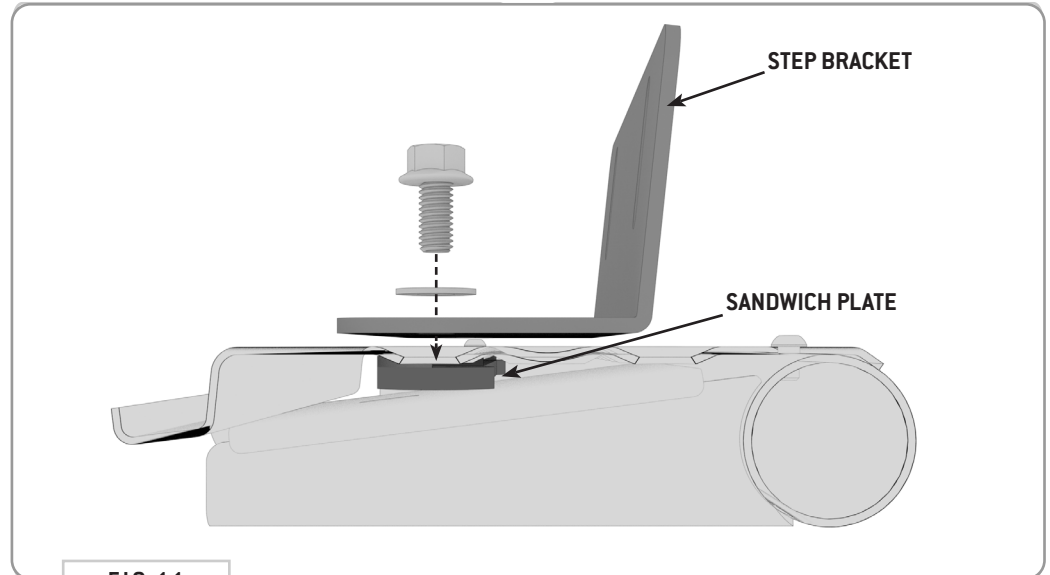


FIG 11



FIG 12

TOOLS REQUIRED FOR THIS STEP: + 9/16" WRENCH OR SOCKET
+ 7/32" ALLEN WRENCH

STEP | 03 SIDE LADDER INSTALL

3.4 Hang Ladder to Roof Rack: Loosely bolt up the Side Ladder to the designated slots of your Roof Rack using (2) 3/8-16 x 1" Button Head Hex Drive Screws, Flat Washers and Nylon Locknuts (FIG 13).

NOTE - When installing on a Low Pro, you may need to remove the lower screws that hold the Joining Plate to your Roof Rack in order to clear the install of your Side Ladder (FIG 14).

3.5 Attach Ladder to Step Plate: Loosely bolt up the Side Ladder to the Step Bracket using (2) 3/8-16 x 1.25" Button Head Hex Drive Screws, Flat Washers and Nylon Locknuts (FIG 15).



FIG 13



FIG 14



FIG 15

TOOLS REQUIRED FOR THIS STEP:

STEP | 03 SIDE LADDER INSTALL

3.6 Align Side Ladder: There is tolerance built in to each of the mounting slots of the **Roof Rack** and **Step Plate**. Make sure the alignment of your **Side Ladder** is square before proceeding to the next step.

NOTE - We advise against using the body lines of the van as a reference when aligning your Side Ladder as they are not perfectly straight. You could use a level or your best judgement from a step back to make fine-tuned adjustments as needed.



FIG 16

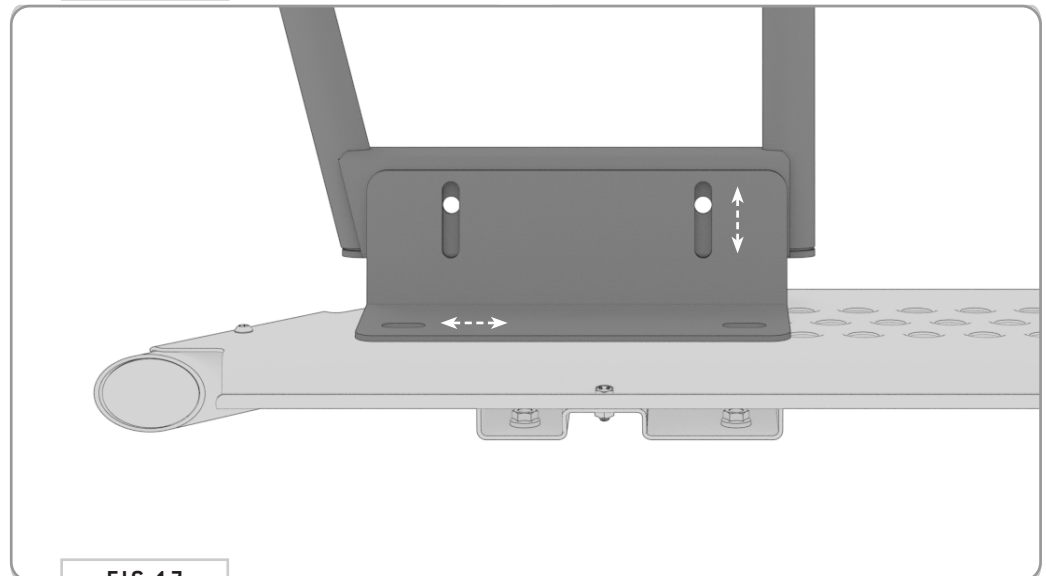


FIG 17

TOOLS REQUIRED FOR THIS STEP: + 9/16" WRENCH OR SOCKET
+ 7/32" ALLEN WRENCH

STEP | 03 SIDE LADDER INSTALL

3.7 Tighten All Fasteners: Once you are satisfied with the alignment of your **Side Ladder**, go back and tighten all fasteners to secure it in place.



FIG 18



FIG 19

GET OUT AND EXPLORE!

+ LEAVE US A REVIEW

Happy with your new FVC product? We would love to hear (and see) from you! Head to the product page and click "Leave Review." Add a short review and upload a few photos to be showcased on the product page.

+ SHARE YOUR PICS

We love seeing how our customers use their FVC products and following along with your adventures. Tag us in your photos with: @flatlinevanco or send them to us via email. We love posting customer pictures in our feed!

+ NEED ANY HELP?

If you are having any issues with your product, please reach out, and we will make it right. FVC is a company of van and outdoor enthusiasts that design and use our own products, so we want you to be as stoked on your new parts as we are!



@FLATLINEVANCO