



INSTALLATION GUIDE

TRANSIT VAN SIDE LADDER - ALL TYPES

TR0201B + TR0202B



TOOLS REQUIRED (NOT INCLUDED)

- + 9/16" WRENCH OR SOCKET
- + 7/16" WRENCH OR SOCKET
- + 7/32" ALLEN WRENCH
- + 5/32" ALLEN WRENCH
- + POWER DRILL
- + 1/8" DRILL BIT

INSTALL INFO

TIME TO INSTALL THIS PRODUCT: 1 HOUR

Additional help is suggested for a few of the install steps.

BEFORE YOU START

Please inspect the product and packaging upon delivery to ensure there are no issues and that all parts and hardware are accounted for.

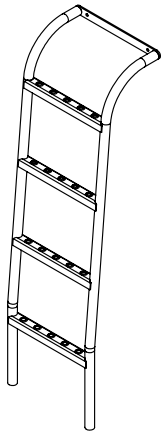
Contact us ASAP if anything is missing at:
support@flatlinevanco.com

BEFORE YOU START

All Flatline Van Co products must be properly assembled and secured before attaching to your vehicle. Improper attachment could result in an automobile accident, and could cause serious bodily injury or death to you or to others involved. You are responsible for assembling and securing Flatline Van Co products to your vehicle, checking the mounting points and attachments prior to use, and regularly inspecting the products for wear and or damage. We always recommend you use a professional to install any aftermarket accessories to your vehicle. If you have no mechanical experience and are not thoroughly familiar with the installation procedures, you must have the product installed by a professional installer or other qualified persons. The responsibility is yours and must be taken seriously for everyone's safety.

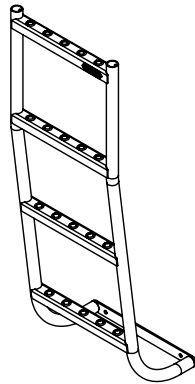


PACKAGE CONTENTS



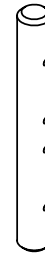
LADDER UPPER HALF

QTY: 1



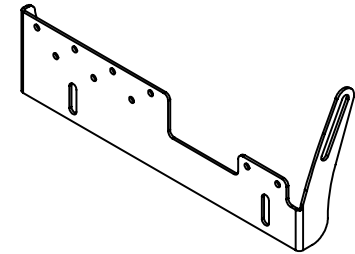
LADDER LOWER HALF

QTY: 1



BAYONET COUPLER

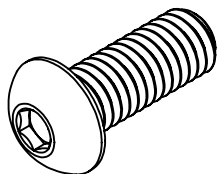
QTY: 2



SUPPORT BRACKET

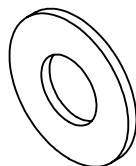
QTY: 1

HARDWARE



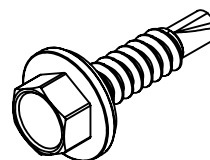
3/8-16 X 1 BUTTON HEAD
HEX DRIVE SCREW

QTY: 3



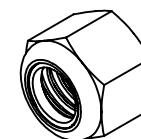
3/8 SCREW FLAT
WASHER

QTY: 10



1/4 X 1 HEX HEAD WITH
SEALING WASHER DRILLING
SCREW

QTY: 9



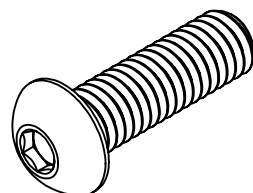
3/8-16 NYLON INSERT
LOCKNUT

QTY: 5



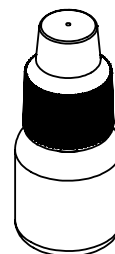
1/4-20 X 0.75 FLANGED
BUTTON HEAD HEX DRIVE
SCREW

QTY: 8



3/8-16 X 1.25 BUTTON HEAD HEX
DRIVE SCREW

QTY: 2



5ML THREADLOCKER
BOTTLE

QTY: 1

INSTALL

TOOLS REQUIRED FOR THIS STEP:

STEP | 01 LAYOUT AND INSTALL PREP

1.1 Identify Van Configuration: Our Transit Side Ladder is designed to be mounted to either our **Low Pro (FIG 2)** or **Safari Roof Racks (FIG 1)**. Identify the mounting location for your van type in FIG 2.

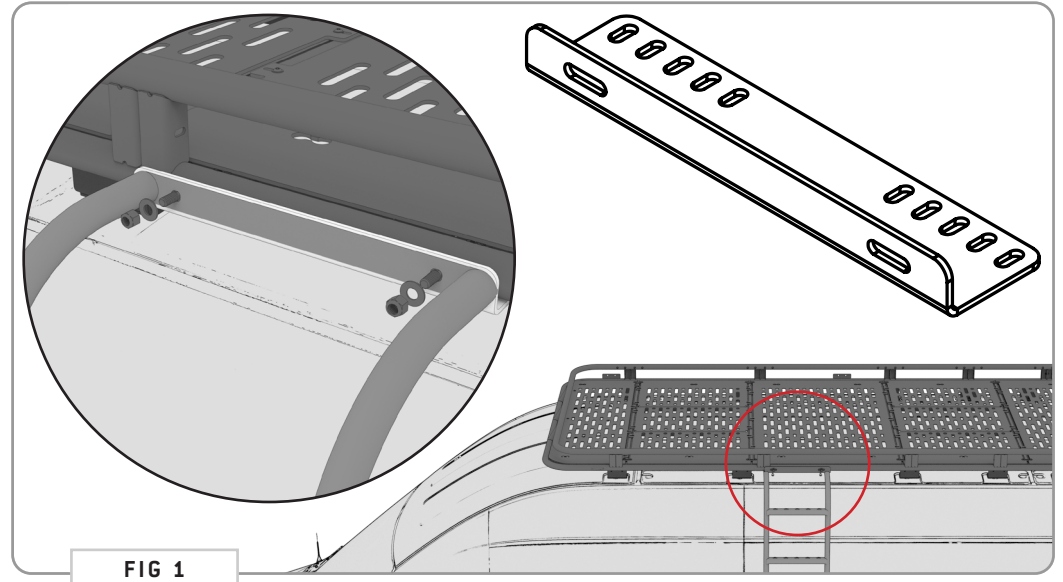
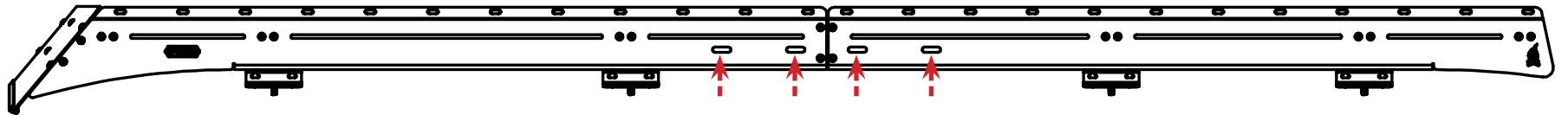
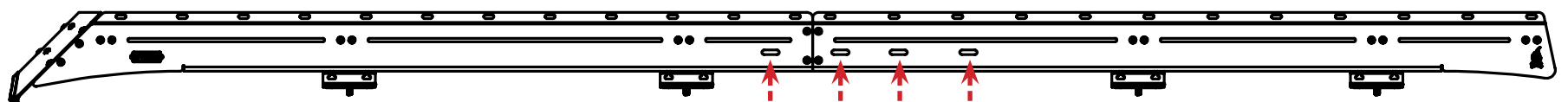


FIG 1

TR0101B - 148" HIGH ROOF



TR0104B - 148" MID ROOF



TR0102B - 148" HIGH ROOF EXTENDED

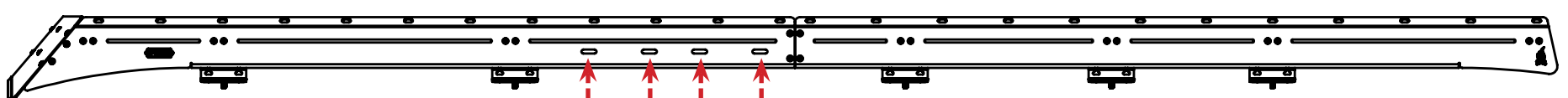


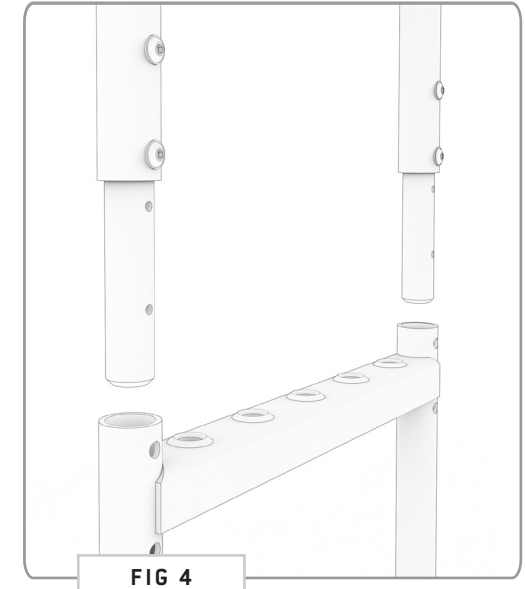
FIG 2

TOOLS REQUIRED FOR THIS STEP: + 5/32" ALLEN WRENCH

STEP | 02 SIDE LADDER ASSEMBLY

2.1 Install Bayonets to Top Ladder Half: Find the **Top Half** of the **Side Ladder** and insert **Bayonets** as shown in **FIG 3**. Secure using **(2ea) 1/4-20 x 0.75 Flanged Button Head Hex Drive Screws and Loctite**.

2.2 Attach Bottom Ladder Half: Find the **Bottom Half** of the **Side Ladder** and attach to protruding Bayonets using **(2ea) 1/4-20 x 0.75 Flanged Button Head Hex Drive Screws and Loctite** as shown in **FIG 4-6**.



STEP | 02 SIDE LADDER ASSEMBLY

2.3 Attach Mounting Bracket: Take the **Mount Plate** and loosely attach to the bottom of the ladder using two (2) **3/8-16 X 1" Screws**, **3/8 Flat Washers** and **3/8-16 Nylock Nuts** (FIG 7+8).

NOTE - Leave this support bracket loose as you fit everything in place, or you'll likely need to loosen it again.

TOOLS REQUIRED FOR THIS STEP: + 7/32" ALLEN WRENCH
+ 9/16" SOCKET OR WRENCH

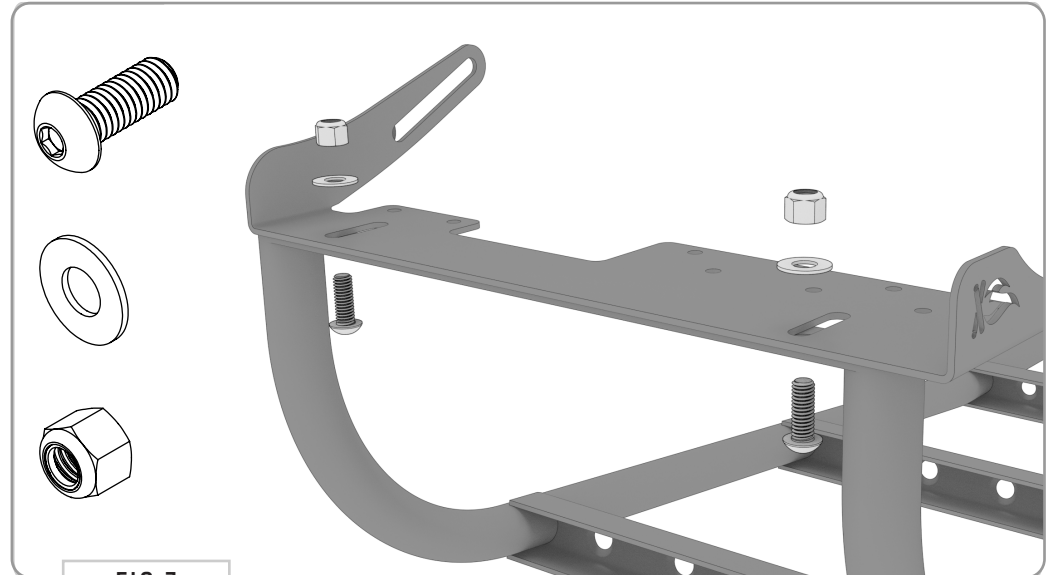


FIG 7

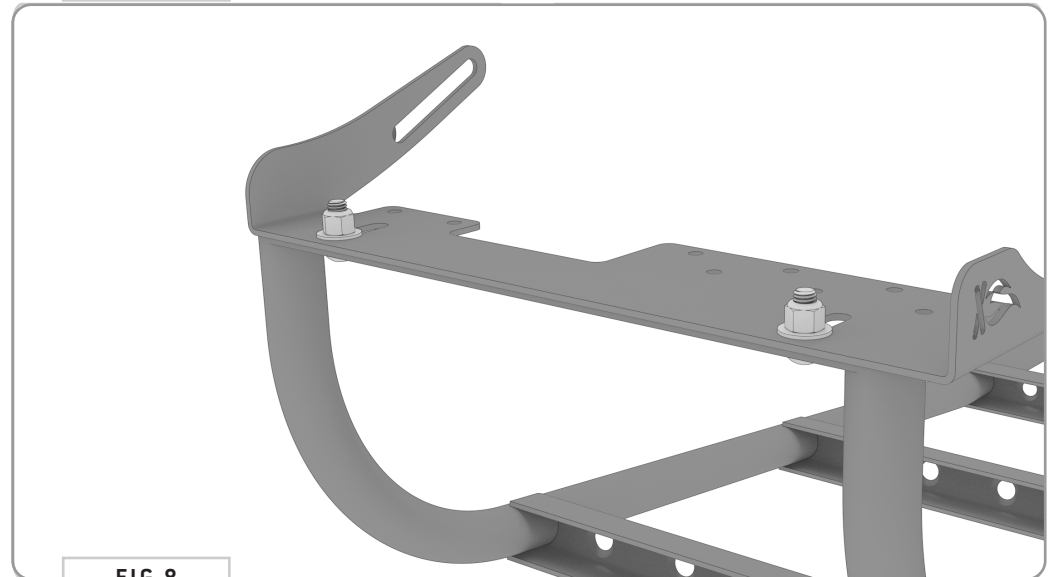


FIG 8

TOOLS REQUIRED FOR THIS STEP:

STEP | 03 SIDE LADDER INSTALL

3.1 Position Side Ladder: Seat the **Mount Plate** up to the **Pinch Seam** of your van (**FIG 11**) and position the **Side Ladder** into its mounting location along the **Roof Rail** (**FIG 12**).

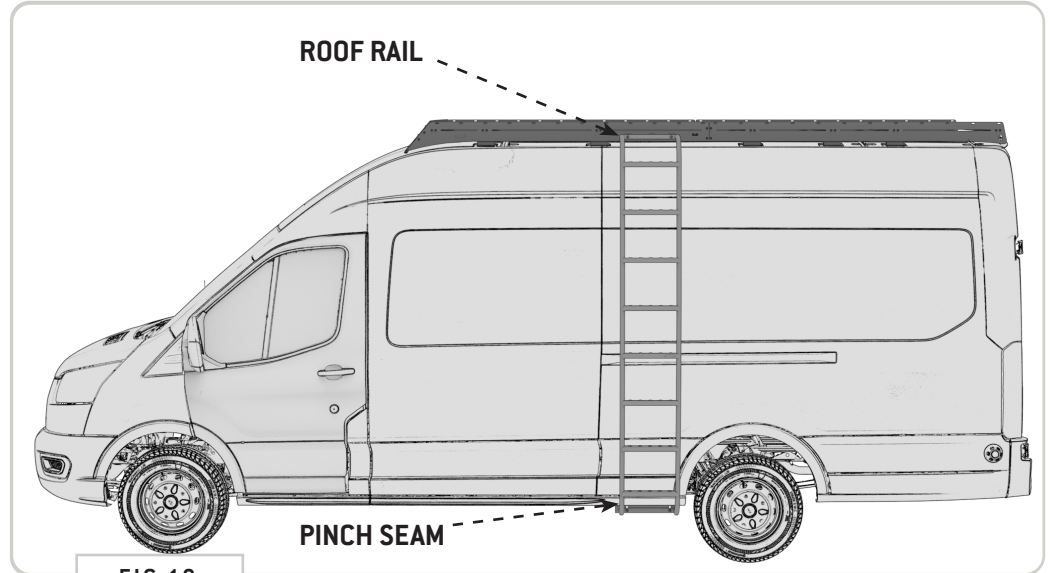


FIG 10



FIG 11



FIG 12

TOOLS REQUIRED FOR THIS STEP: + 9/16" WRENCH OR SOCKET
+ 7/32" ALLEN WRENCH

STEP | 03 SIDE LADDER INSTALL

3.2 Install to Roof Rail: Next, loosely bolt the **Side Ladder** to the mount slots on the side of your **Low Pro or Safari Roof Rack** using two (2ea) **3/8-16 x 1.25 Button Head Screws, 3/8" Flat Washers and 3/8" Nylon Locknuts** (FIG 13+14).



FIG 13

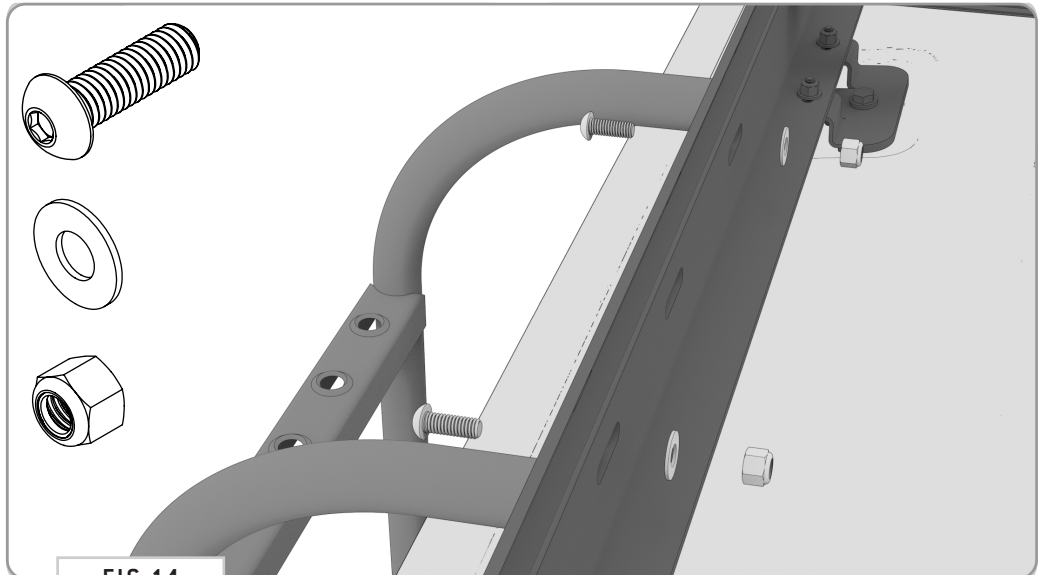


FIG 14

STEP | 03 SIDE LADDER INSTALL

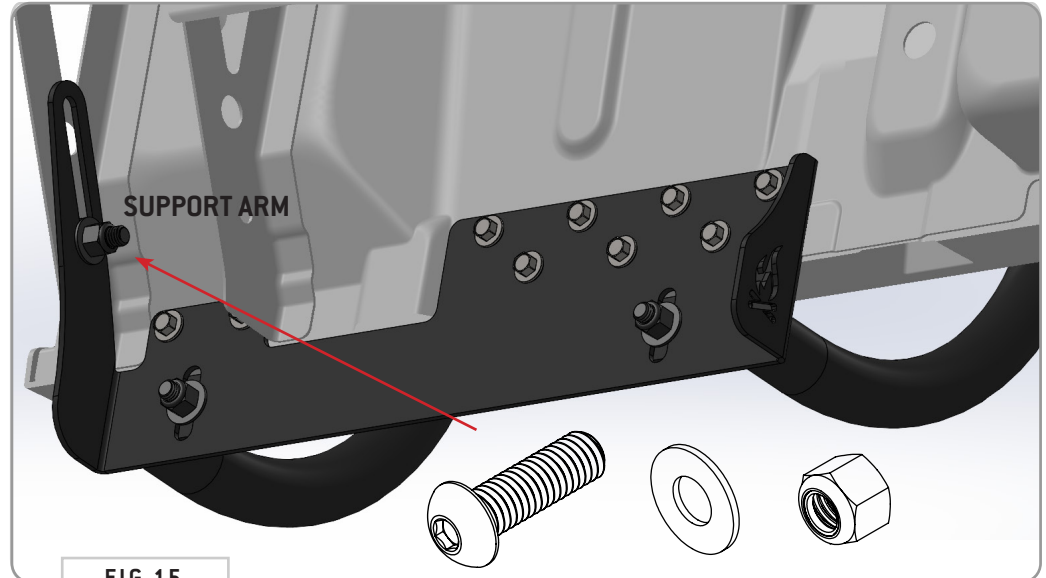
3.3 Positioning and Alignment: Slide the **Mount Plate** up as tight to the **Pinch Seam** as you can and loosely bolt up to van in the location shown in **FIG 15**. Make sure that your alignment is good and secure the ladder by tightening the fasteners on the **Support Arm**.

NOTE - We like the **Ladder** to be as close to the **Rear Wheel Well Fender** as possible, but regardless make sure that the **Ladder** is straight up and down before securing the **Mount Plate**.

3.4 Fastening Mount Plate to Van: Using the **Mount Plate** as a guide, drill pilot holes for the all mounting holes along the pinch seam, then drive **1/4" Self Drilling Screws** through them to secure it in place.

TOOLS REQUIRED FOR THIS STEP:

- + POWER DRILL
- + 1/8" DRILL BIT
- + 9/16" WRENCH OR SOCKET
- + 7/32" ALLEN WRENCH
- + 7/16" WRENCH OR SOCKET
- + 5/32" ALLEN WRENCH



STEP | 03 SIDE LADDER INSTALL

3.5 Tighten Down All Fasteners: Go back and tighten down your fasteners along the **Roof Rail** and **Mounting Bracket**.

TOOLS REQUIRED FOR THIS STEP:

- + 9/16" WRENCH OR SOCKET
- + 7/32" ALLEN WRENCH
- + 7/16" WRENCH OR SOCKET
- + 5/32" ALLEN WRENCH



FIG 18



FIG 19

GET OUT AND EXPLORE!

+ LEAVE US A REVIEW

Happy with your new FVC product? We would love to hear (and see) from you! Head to the product page and click "Leave Review." Add a short review and upload a few photos to be showcased on the product page.

+ SHARE YOUR PICS

We love seeing how our customers use their FVC products and following along with your adventures. Tag us in your photos with: @flatlinevanco or send them to us via email. We love posting customer pictures in our feed!

+ NEED ANY HELP?

If you are having any issues with your product, please reach out, and we will make it right. FVC is a company of van and outdoor enthusiasts that design and use our own products, so we want you to be as stoked on your new parts as we are!



@FLATLINEVANCO