



# INSTALLATION GUIDE

## TRANSIT VAN SAFARI RACK - 148" HIGH ROOF (BASKET FRONT)

TR0105B



### TOOLS REQUIRED (NOT INCLUDED)

- + MEASURING TAPE
- + QWICK CLAMPS
- + 3/8" WRENCH OR SOCKET
- + 7/16" WRENCH OR SOCKET
- + 9/16" WRENCH OR SOCKET
- + 5/32" ALLEN WRENCH

### INSTALL INFO

TIME TO INSTALL THIS PRODUCT: 3-4 HOURS

Additional help is suggested for a few of the install steps.

### BEFORE YOU START

Please inspect the product and packaging upon delivery to ensure there are no issues and that all parts and hardware are accounted for.

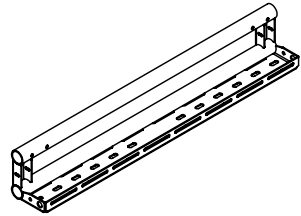
Contact us ASAP if anything is missing at:  
[support@flatlinevanco.com](mailto:support@flatlinevanco.com)

# BEFORE YOU START

All Flatline Van Co products must be properly assembled and secured before attaching to your vehicle. Improper attachment could result in an automobile accident, and could cause serious bodily injury or death to you or to others involved. You are responsible for assembling and securing Flatline Van Co products to your vehicle, checking the mounting points and attachments prior to use, and regularly inspecting the products for wear and or damage. We always recommend you use a professional to install any aftermarket accessories to your vehicle. If you have no mechanical experience and are not thoroughly familiar with the installation procedures, you must have the product installed by a professional installer or other qualified persons. The responsibility is yours and must be taken seriously for everyone's safety.

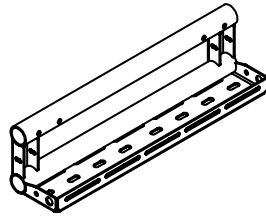


# PACKAGE CONTENTS



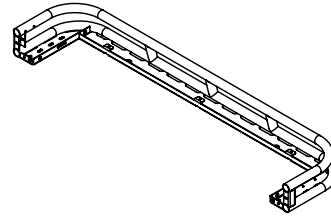
SIDE RAIL (34")

QTY: 4



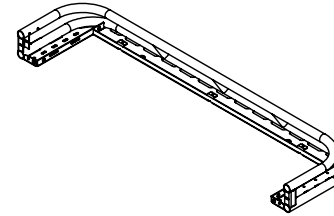
SIDE RAIL (20.5")

QTY: 2



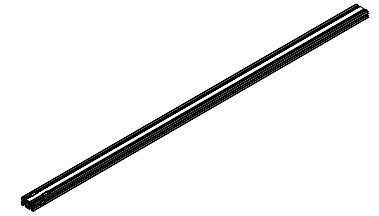
FRONT BASKET

QTY: 1



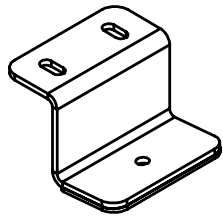
REAR BASKET

QTY: 1



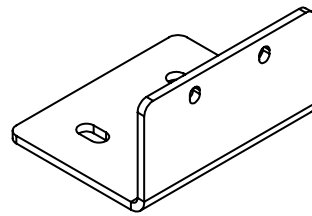
CROSSBAR

QTY: 4



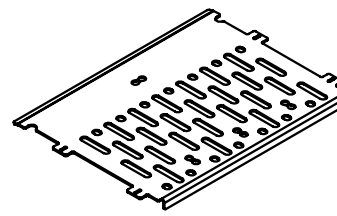
SAFARI FOOT BRACKET

QTY: 8



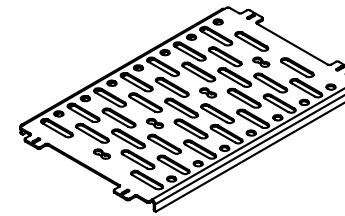
F45 AWNING BRACKET

QTY: 3



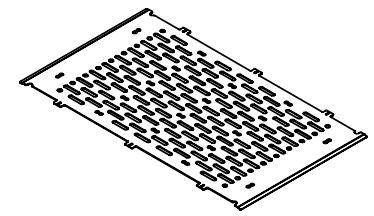
FLOOR SECTION FAN SIDE PANEL

QTY: 4



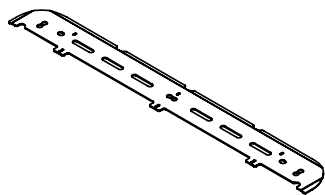
FLOOR SECTION FAN COVER

QTY: 2



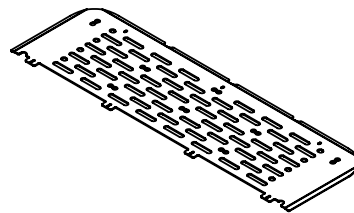
FLOOR SECTION 1

QTY: 1



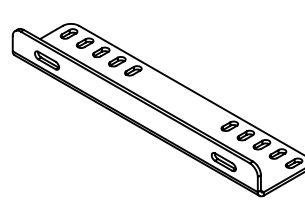
REAR FLOOR SECTION

QTY: 1



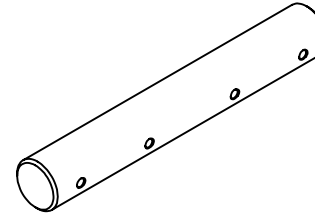
BASKET FRONT FLOOR SECTION

QTY: 1



SIDE LADDER BRACKET

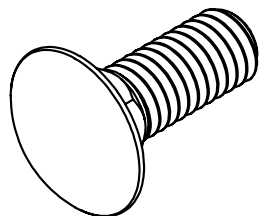
QTY: 1



BAYONET

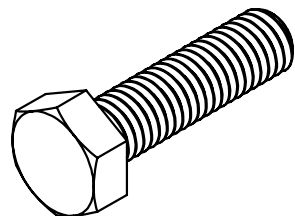
QTY: 8

# HARDWARE



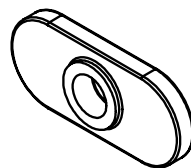
3/8-16 X 1 CARRIAGE BOLT

QTY: 26



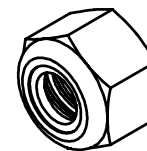
M8-1.25 HEX HEAD SCREW

QTY: 8



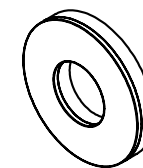
1/4-20 T-NUT

QTY: 37



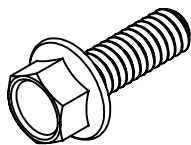
3/8-16 NYLON LOCKNUT

QTY: 26



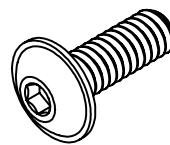
5/16" BONDED SEALING  
WASHERS

QTY: 8



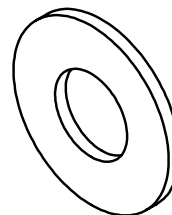
1/4-20 X 0.75 FLANGED HEX  
HEAD SCREW

QTY: 24



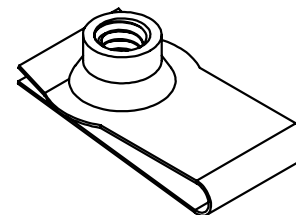
1/4-20 X 0.75 FLANGED BUTTON  
HEAD HEX DRIVE SCREW

QTY: 38



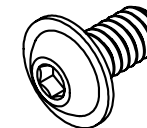
3/8 SCREW FLAT WASHER

QTY: 26



1/4-20 CLIP NUT

QTY: 6



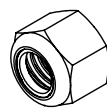
1/4-20 X 0.5 FLANGED BUTTON  
HEAD HEX DRIVE SCREW

QTY: 37



1/4 SCREW FLAT WASHER

QTY: 8



1/4-20 NYLON LOCKNUT

QTY: 8

# INSTALL

## STEP | 01 LAYOUT AND INSTALL PREP

**1.1 Remove Mounting Hole Caps:** Use a heat gun on a low temperature setting to loosen up the adhesive that holds the mounting hole caps to the top of the van. There should be six total. Use a chisel or plastic pry tool to gently remove them from the mounting surface (FIG 1).

**1.2 Clean Mounting Surface:** Clean the area using goo-gone and denatured alcohol to thoroughly remove any adhesive residue (FIG 2).

**1.3 Ensure Bolt Clearance:** Dry fit the landing pads onto the mounting surface and ensure that bolts can pass through to the factory threaded slots (FIG 3). If there are clearance issues, use a die grinder to carefully enlarge the holes for access to threaded mounting holes (FIG 4).

TOOLS REQUIRED FOR THIS STEP: + CHISEL  
+ DIE GRINDER OR METAL FILE



FIG 1



FIG 2

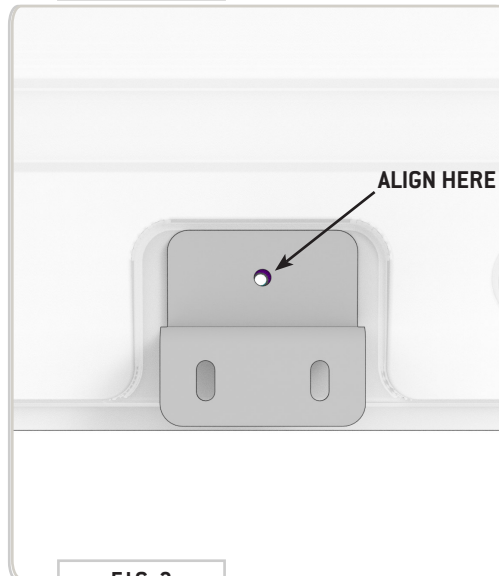


FIG 3

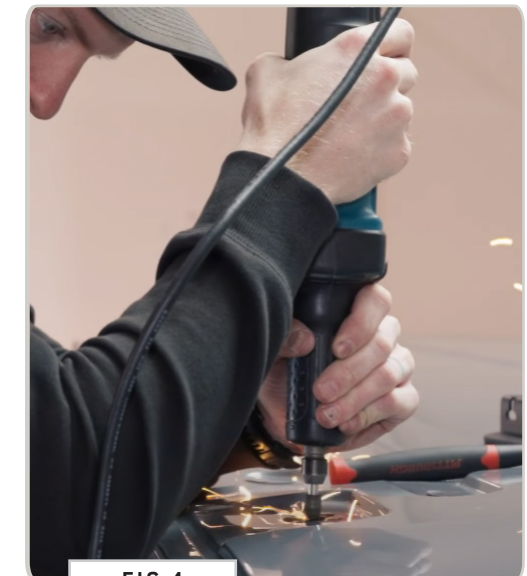


FIG 4

## STEP | 02 FOOT BRACKET INSTALL

**2.1 Install Foot Brackets:** Secure the Foot Brackets to the roof by tightening down M8 Bolts with loctite and 5/16" Bonded Sealing Washers (FIG 5+6).

**2.2 Apply Sealant:** Apply a small bead of exterior waterproof sealant around the outside of each landing pad (FIG 7).

**TOOLS REQUIRED FOR THIS STEP:** + 13MM BOX WRENCH OR SOCKET  
+ CAULKING GUN



FIG 5



FIG 6

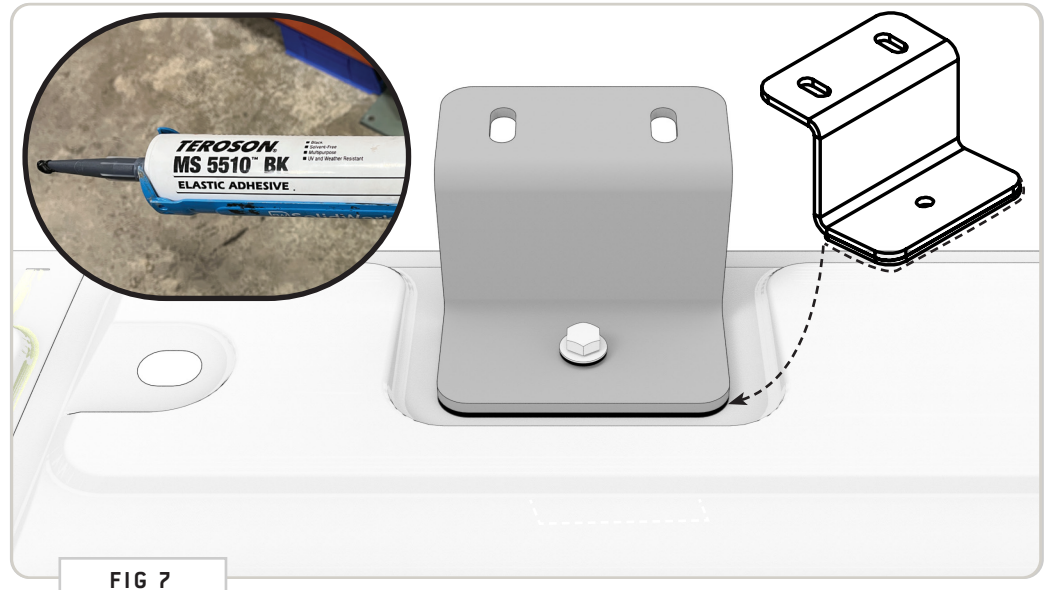


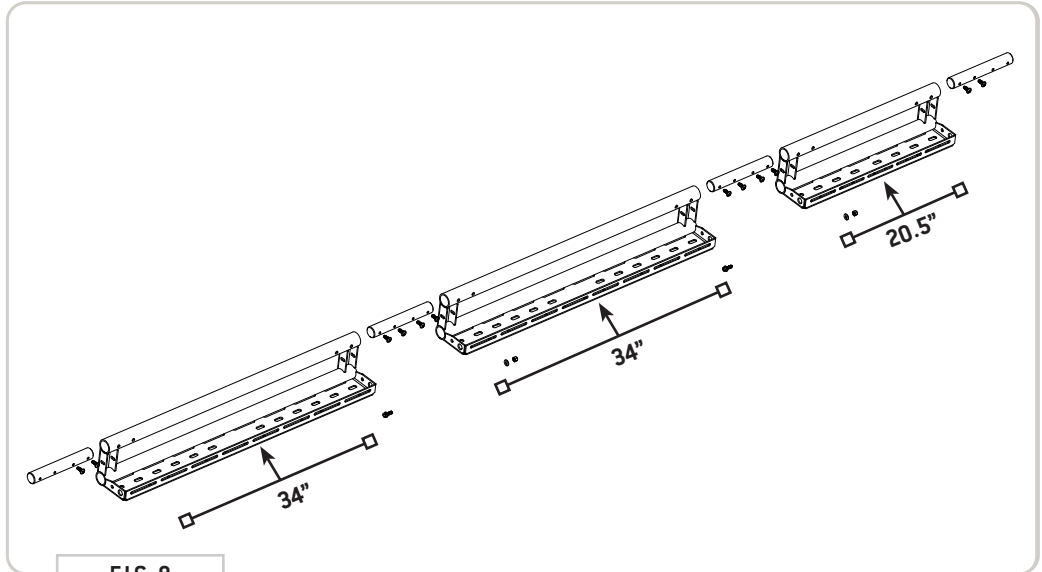
FIG 7

## STEP | 03 SIDE RAIL ASSEMBLY

**3.1 Assemble Side Rails:** Insert a **Bayonet** into the end of a **34" Side Rail (FIG 8+9)** and use **(2) 1/4-20 x 0.75 Flanged Button Head Screws** (not the shorter ones) to loosely secure the **Bayonet** in place.

**3.2 Assemble Side Rails:** Attach another **34" Side Rail** piece to the protruding end of the **Bayonet** and repeat the process on the other side with a **20.5" Side Rail**. See **FIG 8** for layout of components.

**TOOLS REQUIRED FOR THIS STEP:** + 5/32" ALLEN WRENCH  
+ 9/16" WRENCH OR SOCKET





## STEP | 04 SIDE RAIL ASSEMBLY

**4.1 Fasten Side Rails Together:** Secure the connection with a **1/4-20 Flanged Hex Bolt, Washer and Nylon Locknut**. Insert the bolt through the smaller hole inside the larger wire pass-through hole (**FIG 10**).

**NOTE** - Use clamps to ensure the seams are tight while you tighten the bolts (**FIG 11**).

**TOOLS REQUIRED FOR THIS STEP:**

- + QUICK CLAMPS
- + 3/8" WRENCH OR SOCKET
- + 7/16" WRENCH OR SOCKET



FIG 10



FIG 11



TOOLS REQUIRED FOR THIS STEP: + 9/16" WRENCH OR SOCKET

## STEP | 05 SIDE RAIL INSTALL

**5.1 Mount Side Rails to Van Rails:** With assistance, lift the **Side Rail Assembly** onto the roof. Align the **Side Rail Assembly** with the mounting holes of the **Foot Brackets** and secure loosely using **3/8-16" Carriage Bolts, Flat Washers and Nylon Locknuts** as shown in FIG 12+13.

**NOTE** - Leave these bolts loose; we'll come back and tighten them at a later step.

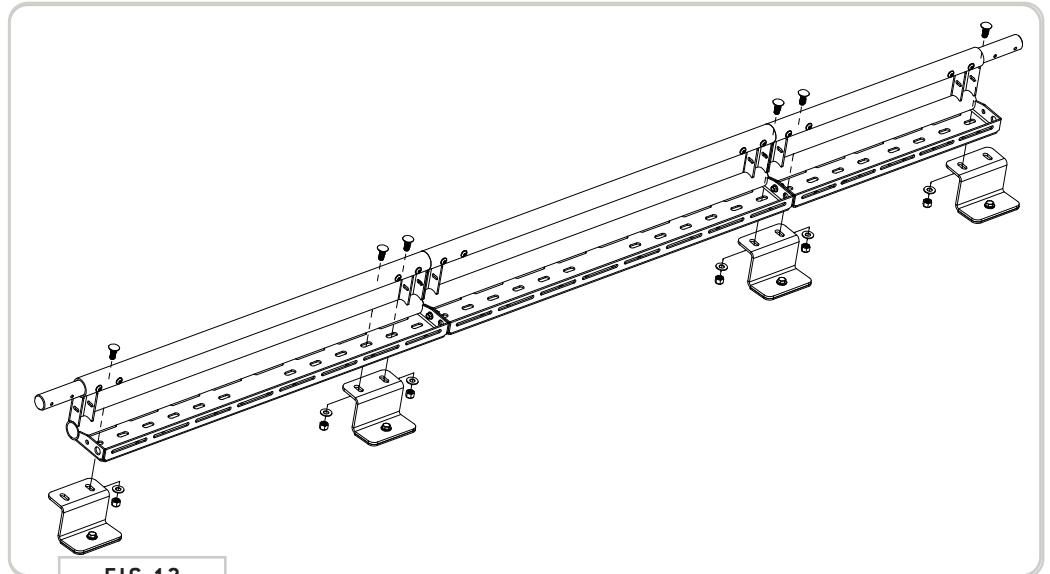


FIG 12

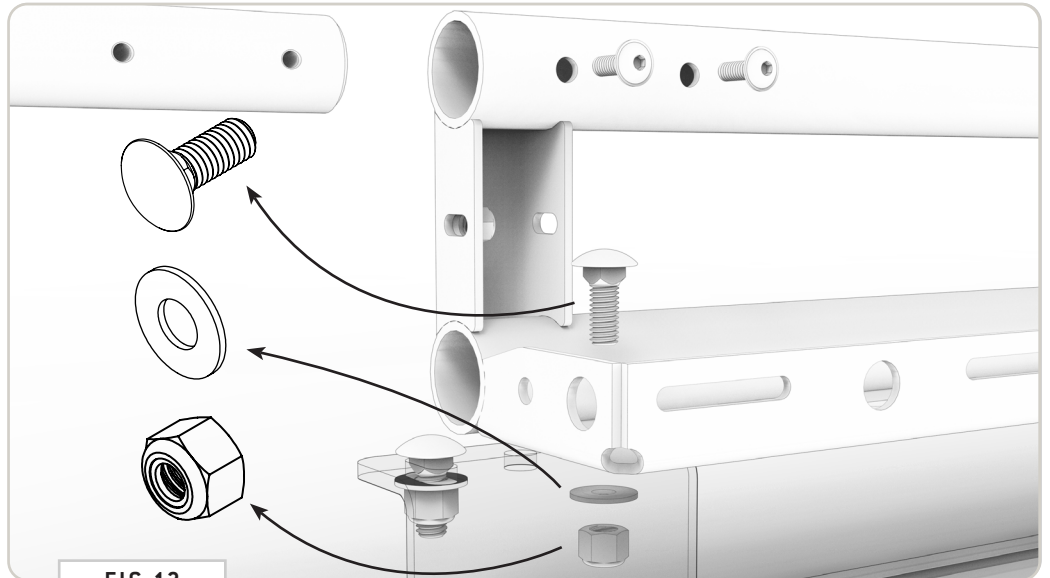


FIG 13

## STEP | 06 ATTACH BASKETS TO RAILS

**6.1 Attach Front and Rear Baskets:** With help, carefully attach the **Front Basket** to the protruding **Bayonets** and secure the connections using **(2) 1/4-20 x 0.75 Flanged Button Head Screws** (not the shorter ones) for the **Bayonets** and a **1/4-20 Flanged Hex Bolt, Washer and Nylon Locknut** for the **Side Rail** connection.

**NOTE** - Use clamps to ensure the seams are tight while you tighten the bolts (**FIG 15**).

**TOOLS REQUIRED FOR THIS STEP:** + 5/32" ALLEN WRENCH  
+ QWICK CLAMPS  
+ 3/8" WRENCH OR SOCKET  
+ 7/16" WRENCH OR SOCKET



FIG 14



FIG 15

## STEP | 07 INSTALL AWNING BRACKETS

**7.1 F45 Awning Brackets (optional):** If you purchased a Fiamma F45 Awning with your rack, install the **(3) Awning Brackets** at this time using **(2ea) 3/8-16" Carriage Bolts, Flat Washers and Nylon Locknuts**. See FIG 17 for locations.

**TOOLS REQUIRED FOR THIS STEP:** + MEASURING TAPE  
+ 9/16" WRENCH OR SOCKET



FIG 16

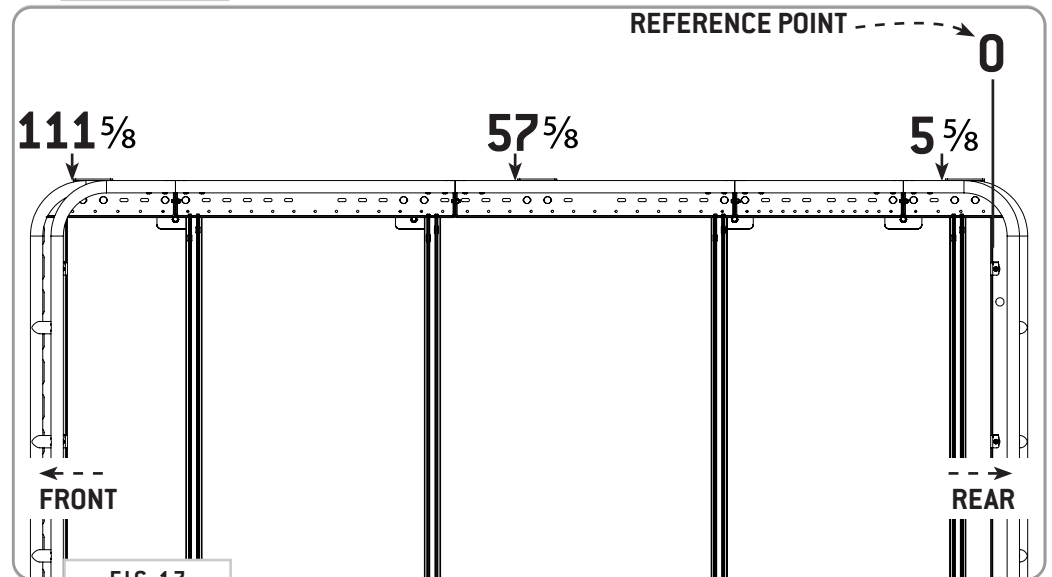


FIG 17

TOOLS REQUIRED FOR THIS STEP: + 9/16" WRENCH OR SOCKET

## STEP | 08 INSTALL LADDER BRACKET

**8.1 Side Ladder Bracket (optional):** If you purchased a **Side Ladder** with your rack, install the **Side Ladder Bracket** at this time using **(2ea) 3/8-16" Carriage Bolts, Flat Washers and Nylon Locknuts**. See **FIG 18+19** for available locations. Notice that there are multiple slots available to choose from that allow for adjustability.

**NOTE** - If you haven't purchased your ladder yet, or intend on installing at a different time, you should install the bracket now and attach the hardware. This will save you time later.



FIG 18

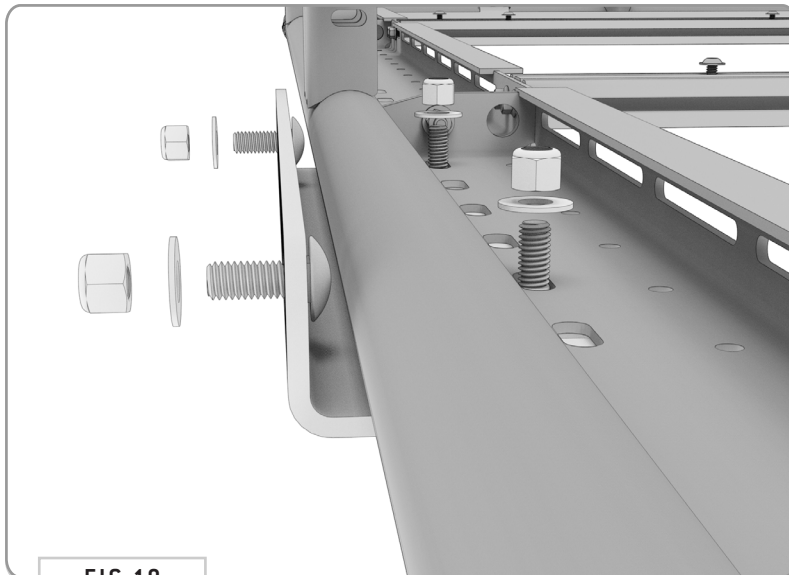


FIG 19

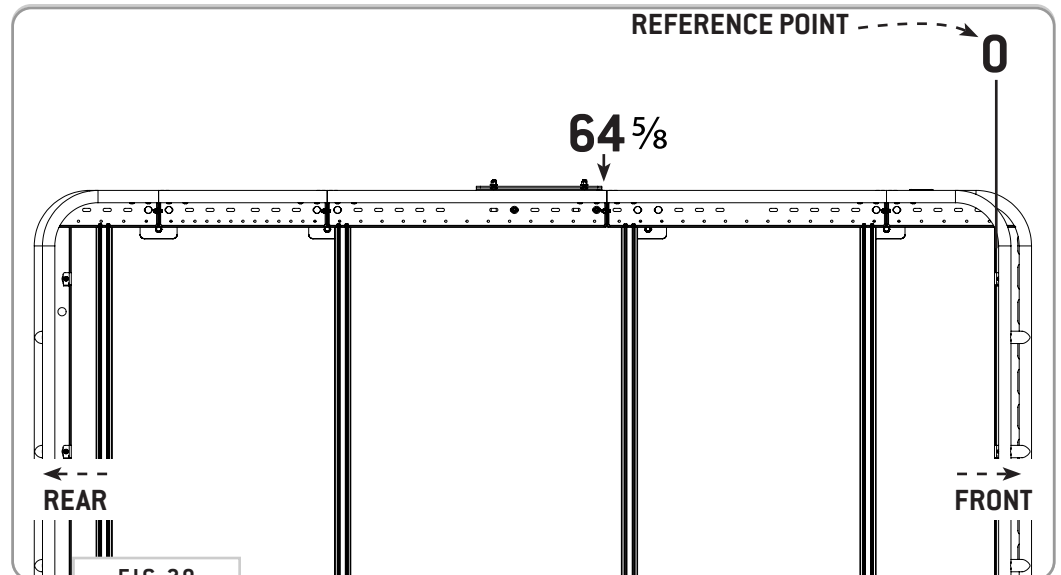


FIG 20

**TOOLS REQUIRED FOR THIS STEP:** + MEASURING TAPE  
+ 7/16" WRENCH OR SOCKET

## STEP | 09 INSTALL CROSSBARS

**9.1 Attach Crossbars:** Using (4ea) 1/4-20 Flanged Hex Bolts with Loctite (FIG 21), attach Crossbars to the rack in the locations shown in FIG 22. Be sure to measure both sides to ensure that the crossbars are square.

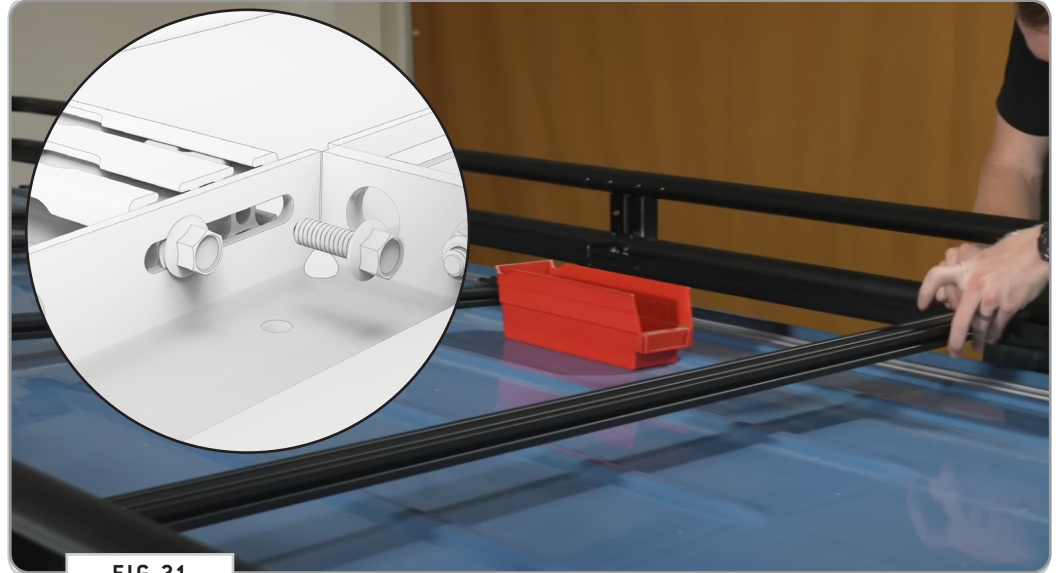


FIG 21

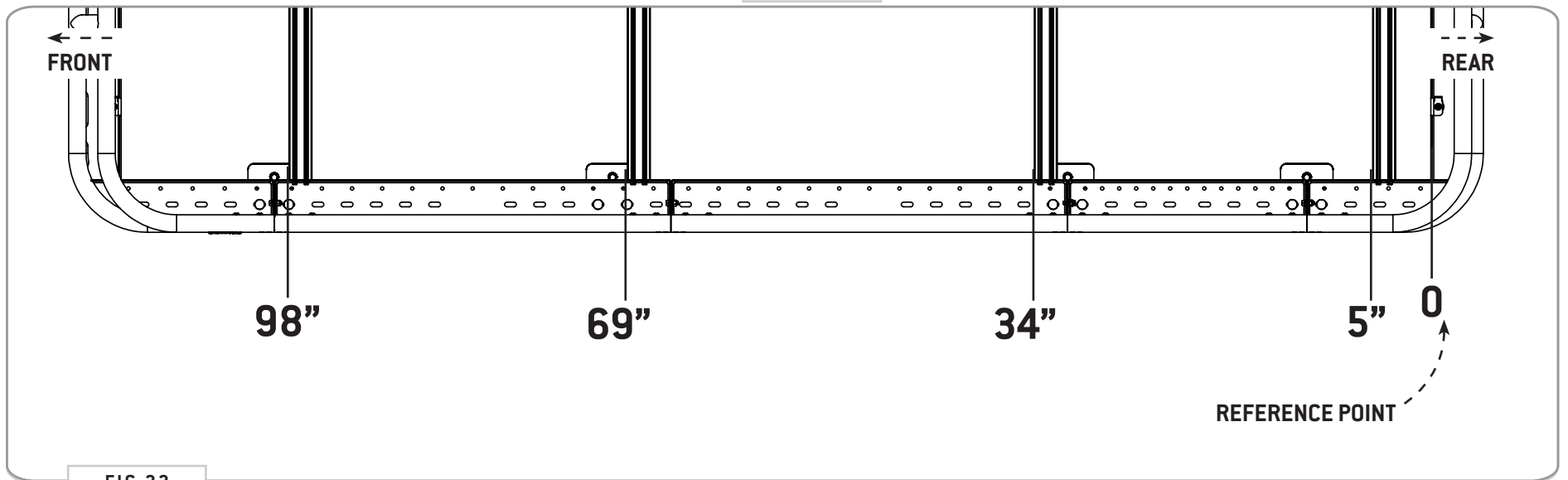


FIG 22

## STEP | 10 PREP FOR PANELS

**10.1 Attach Clip Nuts to Baskets:** Install the **Clip Nuts** to the **Front and Rear Basket** locations as shown in **FIG 23**.

**NOTE** - *The flat side of the **Clip Nut** should be facing upwards (FIG 24)*

TOOLS REQUIRED FOR THIS STEP:

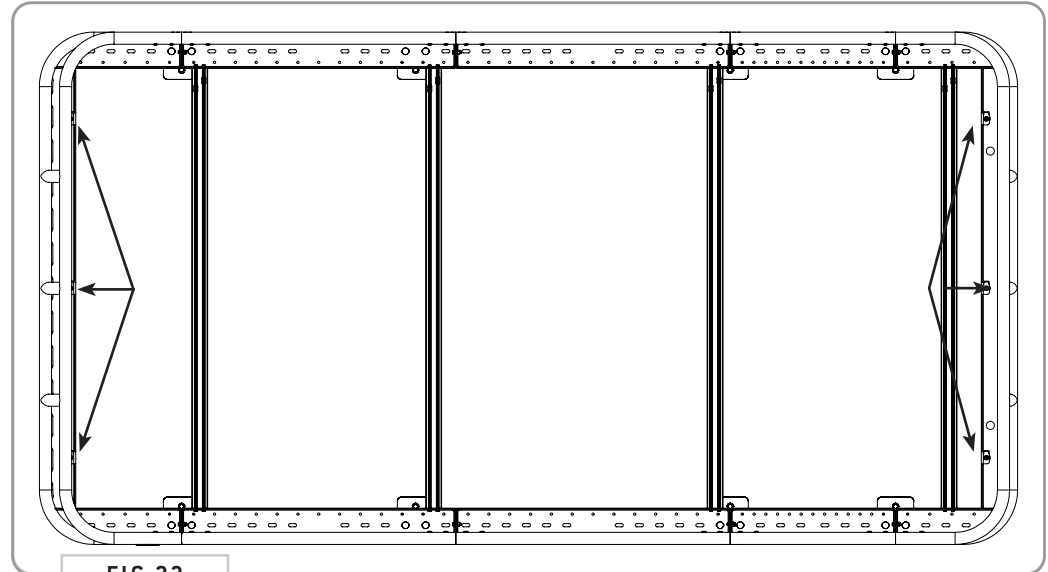


FIG 23

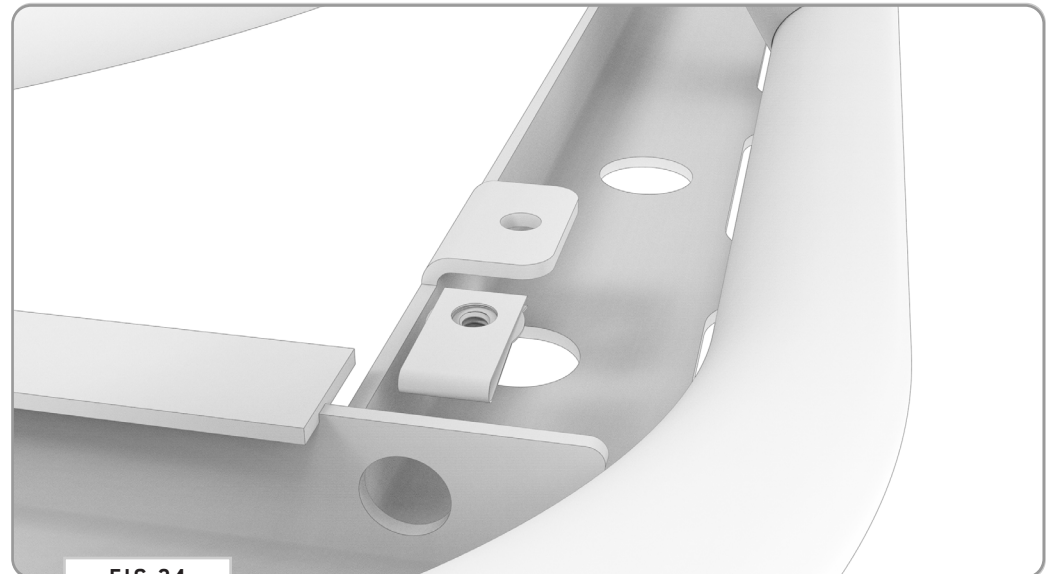


FIG 24

TOOLS REQUIRED FOR THIS STEP:

## STEP | 10 PREP FOR PANELS

**10.2 Layout T-Nuts:** Consider the layout plan of your roof accessories and install T-Nuts into the available slots of the Crossbars as shown in **FIG 25**. See **FIG 26** for amounts of T-Nuts needed per slot if using exclusively decking panels.

**NOTE** - The flat side of the **T-Nuts** should be facing upwards when installing to **Crossbar**.



FIG 25

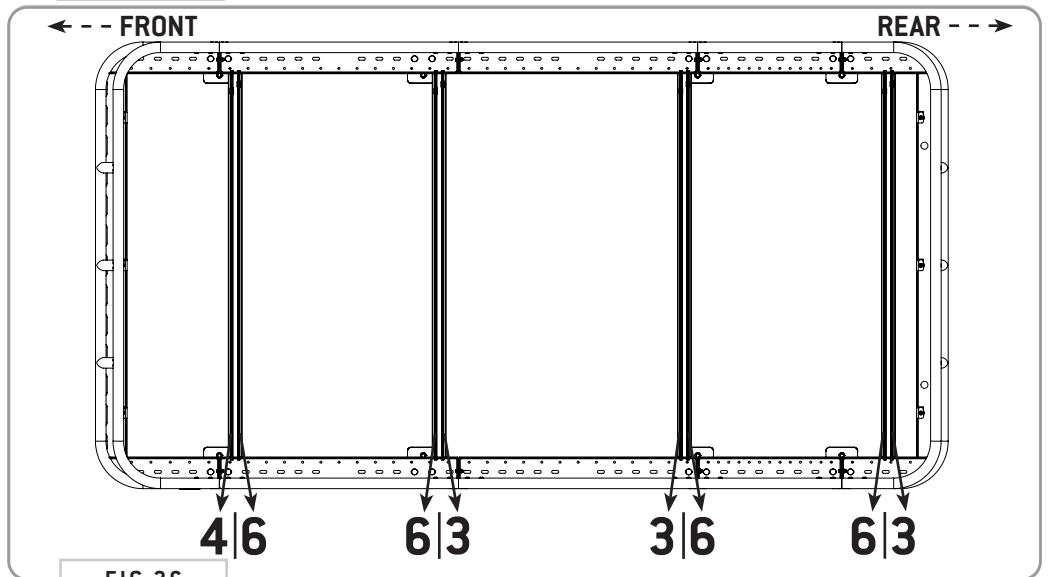


FIG 26



## STEP | 11 INSTALL FLOOR PANELS

**11.1 Install Floor Panels:** Begin to layout your **Decking Panels** along the locations shown in **FIG 27**. Adjust the **T-Nuts** as necessary to line up with the available pill slots of the **Decking Panels** (**FIG 28**).

TOOLS REQUIRED FOR THIS STEP:

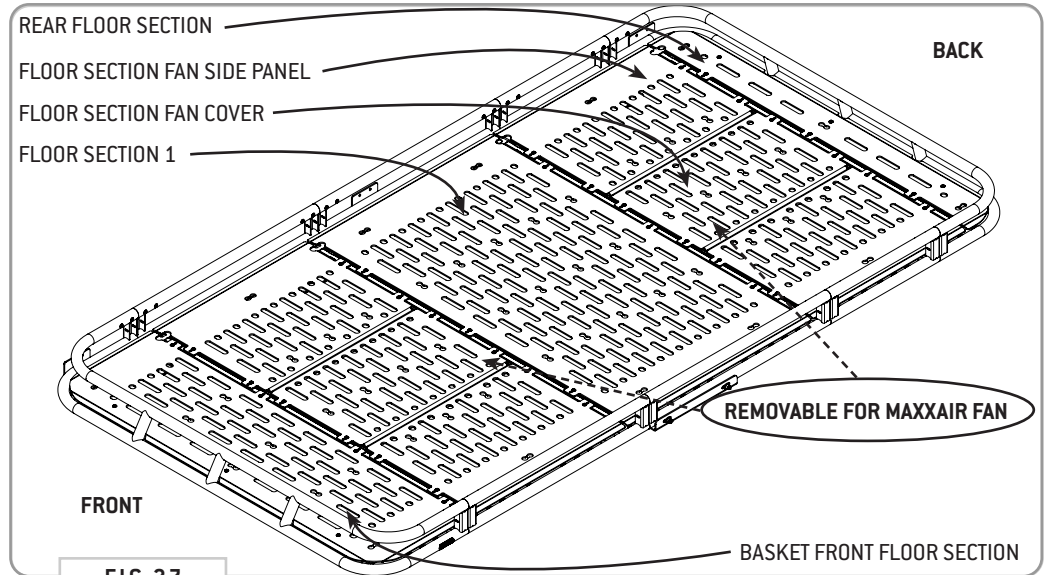


FIG 27

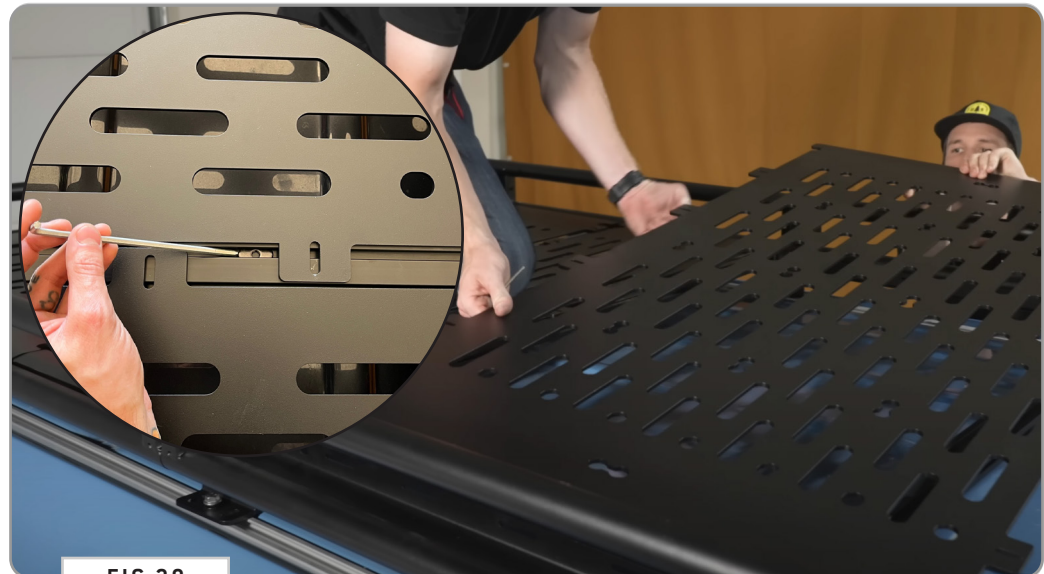


FIG 28

TOOLS REQUIRED FOR THIS STEP: + 5/32" ALLEN WRENCH

## STEP | 11 INSTALL FLOOR PANELS

**11.2 Install Floor Panels:** Note that the front and rear-most panels have pill slots for attaching to the **Clip Nuts** installed earlier (FIG 29). Use the **1/4-20 x 0.5" Flanged Button Head Screws** for the **Decking Panels** that attach to **Crossbars**, and the longer **0.75" Screws** for the ones that attach to the **Clip Nuts** (FIG 30).



FIG 29



FIG 30

## STEP | 12 FINAL ADJUSTMENTS

**12.1 Tighten Fasteners:** Once you've got all of the floor sections bolted down, do a once-over of all fasteners on the rack to ensure they are tight and secure. Install is now complete, and you're ready for adventure!

- TOOLS REQUIRED FOR THIS STEP:**
- + 3/8" WRENCH OR SOCKET
  - + 7/16" WRENCH OR SOCKET
  - + 9/16" WRENCH OR SOCKET
  - + 5/32" ALLEN WRENCH

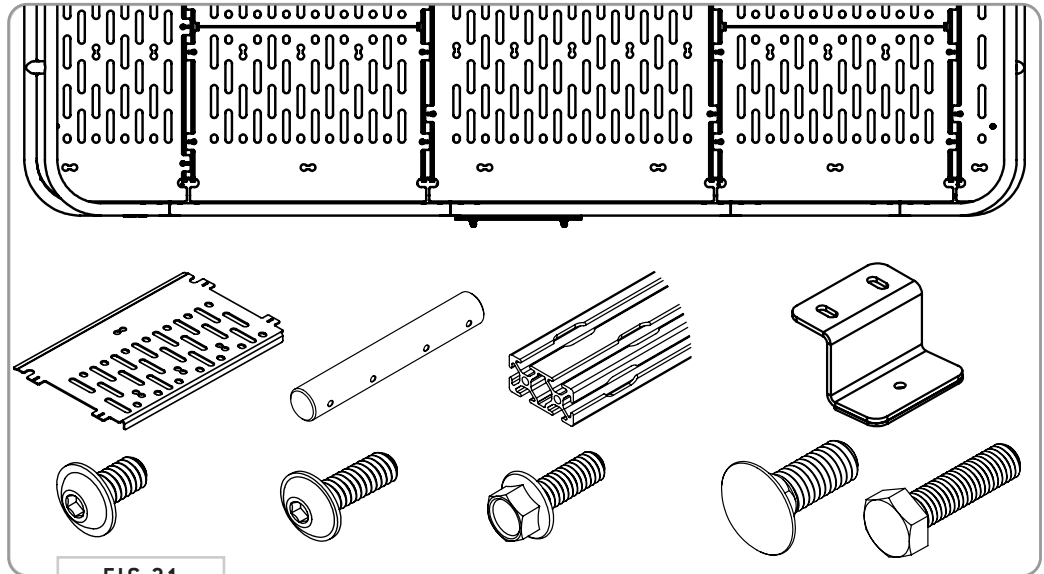


FIG 31



FIG 32

# GET OUT AND EXPLORE!

## + LEAVE US A REVIEW

---

Happy with your new FVC product? We would love to hear (and see) from you! Head to the product page and click "Leave Review." Add a short review and upload a few photos to be showcased on the product page.

## + SHARE YOUR PICS

---

We love seeing how our customers use their FVC products and following along with your adventures. Tag us in your photos with: @flatlinevanco or send them to us via email. We love posting customer pictures in our feed!

## + NEED ANY HELP?

---

If you are having any issues with your product, please reach out, and we will make it right. FVC is a company of van and outdoor enthusiasts that design and use our own products, so we want you to be as stoked on your new parts as we are!



@FLATLINEVANCO