



INSTALLATION GUIDE

SPRINTER VAN 24" UPPER CABINET

SP5022B



TOOLS REQUIRED (NOT INCLUDED)

ADWAG INSTALL		DIY INSTALL	
+ PHILLIPS SCREWDRIVER	+ 3/8" WRENCH	+ PHILLIPS SCREWDRIVER	+ RIVET NUT TOOL
+ 5/8" WRENCH	+ TAPE MEASURE	+ POWER DRILL	+ IMPACT DRIVER
+ 1/8" ALLEN WRENCH		+ MARKER	

INSTALL INFO

TIME TO INSTALL THIS PRODUCT: 1 HOUR

Additional help is suggested for a few of the install steps.

BEFORE YOU START

Please inspect the product and packaging upon delivery to ensure there are no issues and that all parts and hardware are accounted for.

Contact us ASAP if anything is missing at:

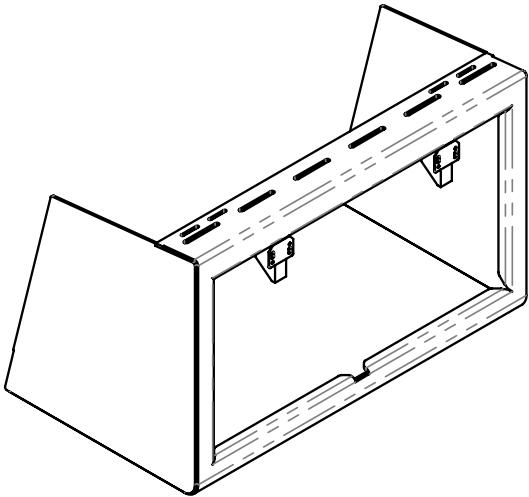
support@flatlinevanco.com

BEFORE YOU START

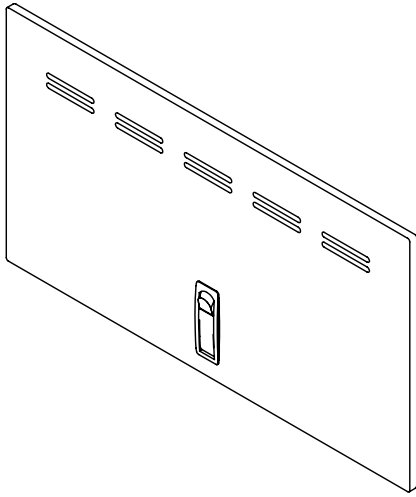
All Flatline Van Co products must be properly assembled and secured before attaching to your vehicle. Improper attachment could result in an automobile accident, and could cause serious bodily injury or death to you or to others involved. You are responsible for assembling and securing Flatline Van Co products to your vehicle, checking the mounting points and attachments prior to use, and regularly inspecting the products for wear and or damage. We always recommend you use a professional to install any aftermarket accessories to your vehicle. If you have no mechanical experience and are not thoroughly familiar with the installation procedures, you must have the product installed by a professional installer or other qualified persons. The responsibility is yours and must be taken seriously for everyone's safety.



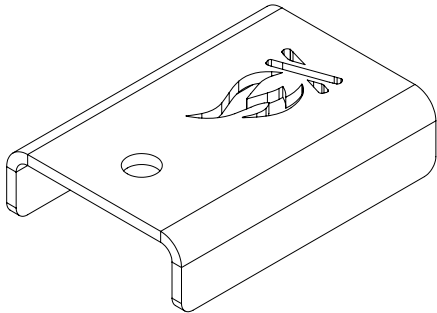
PACKAGE CONTENTS



CABINET SHELL
QTY: 1

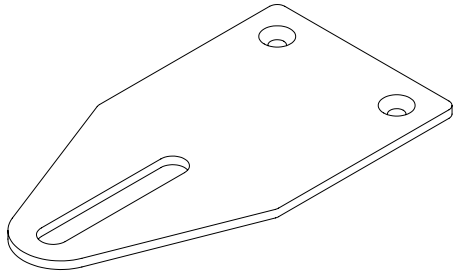


CABINET DOOR
QTY: 1



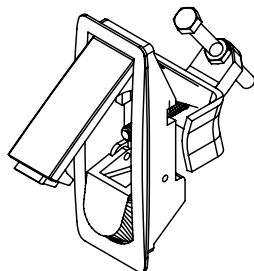
LATCH BRACKET
QTY: 1

WITH OPTIONAL ADWAG MOUNTING KIT:



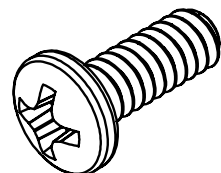
**ADWAG MOUNTING
BRACKET**
QTY: 2

HARDWARE



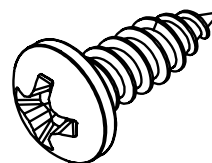
CABINET LATCH

QTY: 1



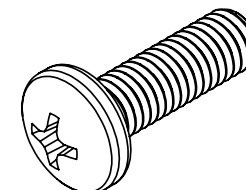
6-32 X 0.375 ROUND HEAD
PHILLIPS DRIVE SCREW

QTY: 4



#6 X 0.4375 ROUND HEAD
PHILLIPS DRIVE SCREW

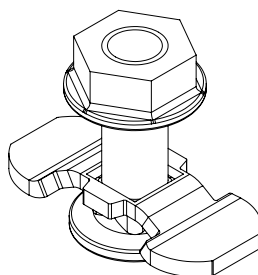
QTY: 4



M5-0.8 X 16 ROUND HEAD
PHILLIPS DRIVE SCREW

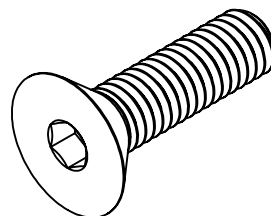
QTY: 4

WITH OPTIONAL ADWAG MOUNTING KIT:



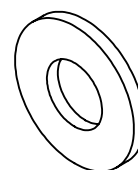
L-TRACK STUD

QTY: 4



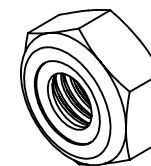
10-32 X 0.6875 FLAT
HEAD HEX DRIVE
SCREW

QTY: 4



#10 SCREW FLAT
WASHER

QTY: 4



10-32 NYLON INSERT
LOCKNUT

QTY: 4

INSTALL

STEP | 01 LAYOUT & INSTALL PREP

Determining where you'd like to install your cabinet is up to you, however there are some tips that make choosing the location a little easier.

See the diagrams **FIG 1** and **FIG 2**. Notice the centerline ribs depicted as a dotted line. This centerline is standard across all sizes of Sprinter Van and can be used as a reference point when measuring your available wall space.

Take the time to measure your available wall space and layout potential cabinet locations before installing.

NOTE - Due to the amount of variability and specific needs of each vehicle, we do not supply hardware for DIY installs. See page 7 for more info.

NOTE - Mounting hardware is included if you purchased the optional Adwag Mounting Kit.

NOTE - Doors come boxed and shipped separately.

NOTE - Install the cabinet shell to the van body **before** adding doors.

- This will make the cabinet be lighter and easier to lift.
- Door alignment will change slightly once cabinet is tightened to the van.

[SKIP TO PAGE 7 FOR DIY INSTALL]

TOOLS REQUIRED FOR THIS STEP: + TAPE MEASURE

144" HIGH ROOF + LOW ROOF SPRINTER VAN

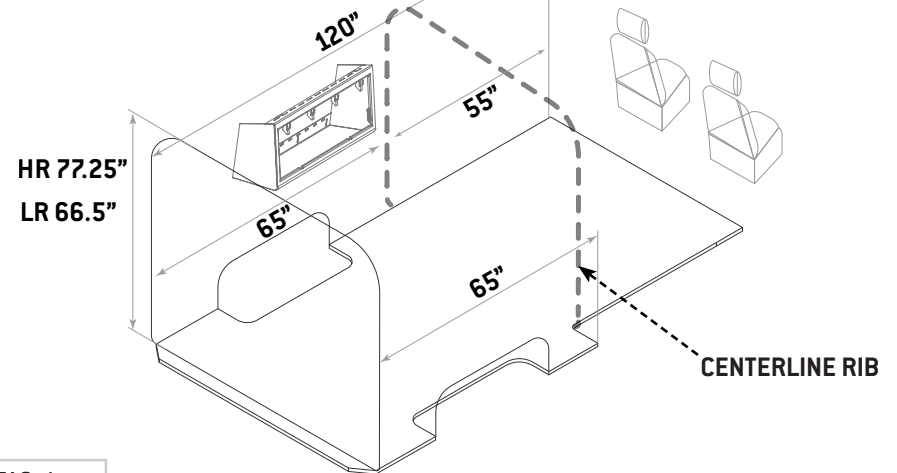


FIG 1

170" HIGH ROOF SPRINTER VAN

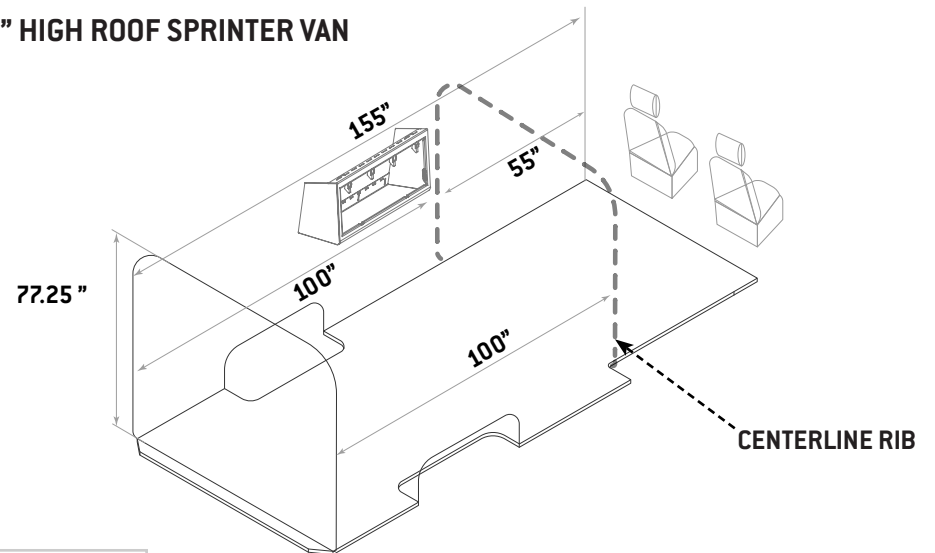


FIG 2

STEP | 02 ADWAG INSTALL

[SKIP TO PAGE 7 FOR DIY INSTALL]

2.1a Determine where you'd like to install your cabinet and insert (2ea) **L-Track Studs** into the rails along the wall and the ceiling.

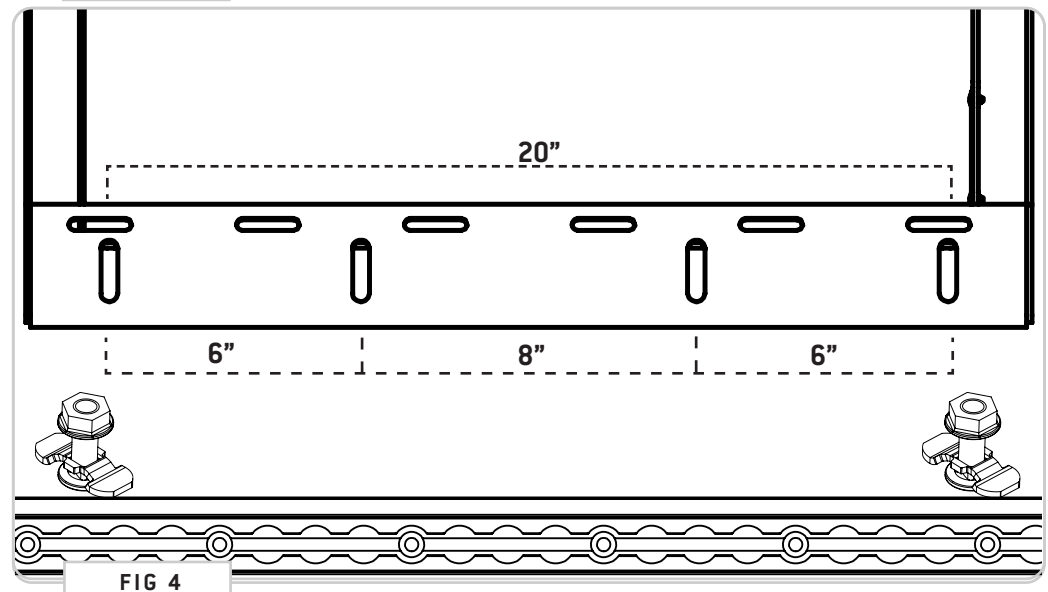
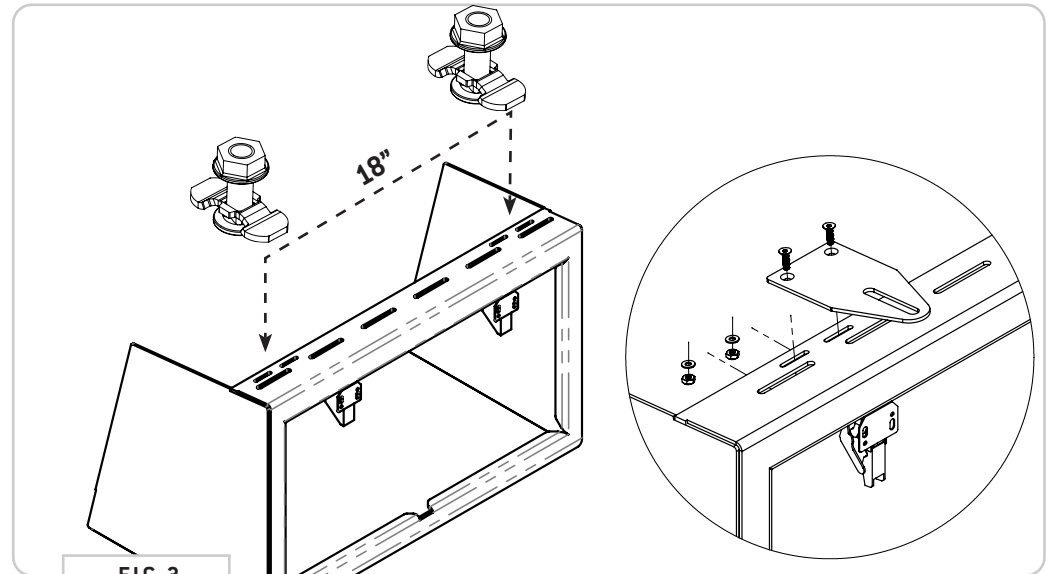
NOTE - The distance between the mounting points are 18" on the upper section and 6"-8" on the lower.

2.2a Install the **Mounting Brackets** to the **Cabinet** using (2ea) **10-32 X 0.6875 Flat Head Hex Drive Screws**, **#10 Flat Washers** and **10-32 Nylon Insert Locknuts**.

2.3a With help, lift the **Cabinet** up onto the **L-Track Studs** and fasten it together with the **L-Track Stud Nuts**.

TOOLS REQUIRED FOR THIS STEP:

- + TAPE MEASURE
- + 1/8" ALLEN WRENCH
- + 3/8" WRENCH
- + 5/8" WRENCH



STEP | 02 DIY INSTALL

The upper and lower mounting surfaces of the Cabinet have multiple horizontal slots to accept hardware for wherever and however you'd like to install them.

The slots can accept 1/4" hardware (i.e. 1/4-20 or #12) for your reference.

It is recommended to install cabinets securely into the vans structural sheet metal using rivet nuts and screws for maximum performance. Sheet metal screws can also be used in some situations.

In FIG 6, note the areas marked in orange. Any spot along this structural sheet metal can be used to mount your cabinet.

2.1b With help, lift the cabinet to the desired location in the van. Identify which mounting slots will be used for the ceiling and wall mounting hardware.

2.2b Mark locations if necessary.

2.3b Mount cabinet with desired hardware.

NOTE - Removing or drilling through existing wall panels may be necessary.

PRO-TIP: Bracing the gaps between these mounting areas with wood or metal furring will provide more surface area for mounting your cabinet to the van.

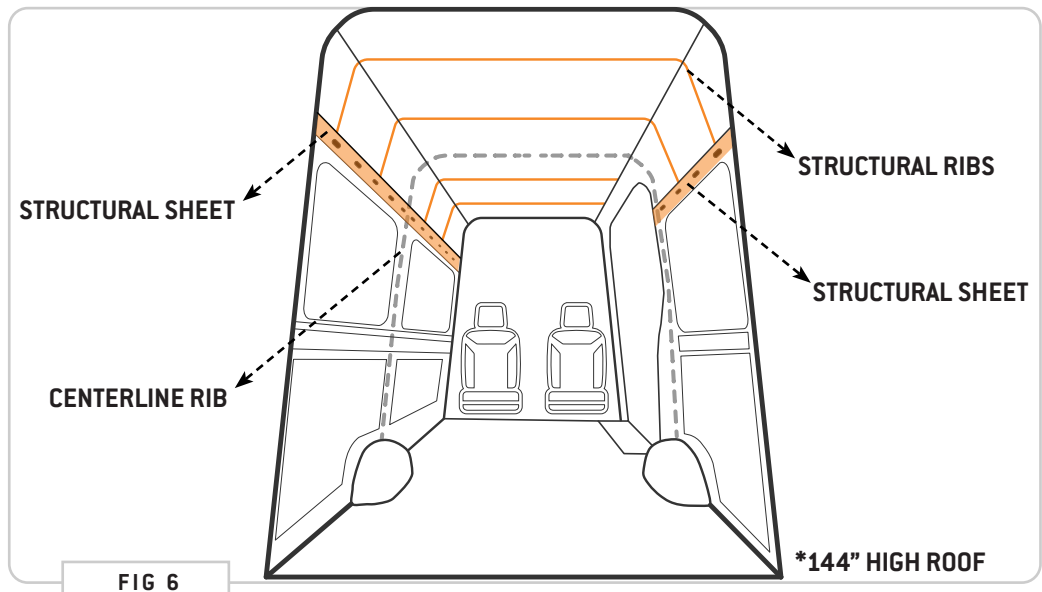
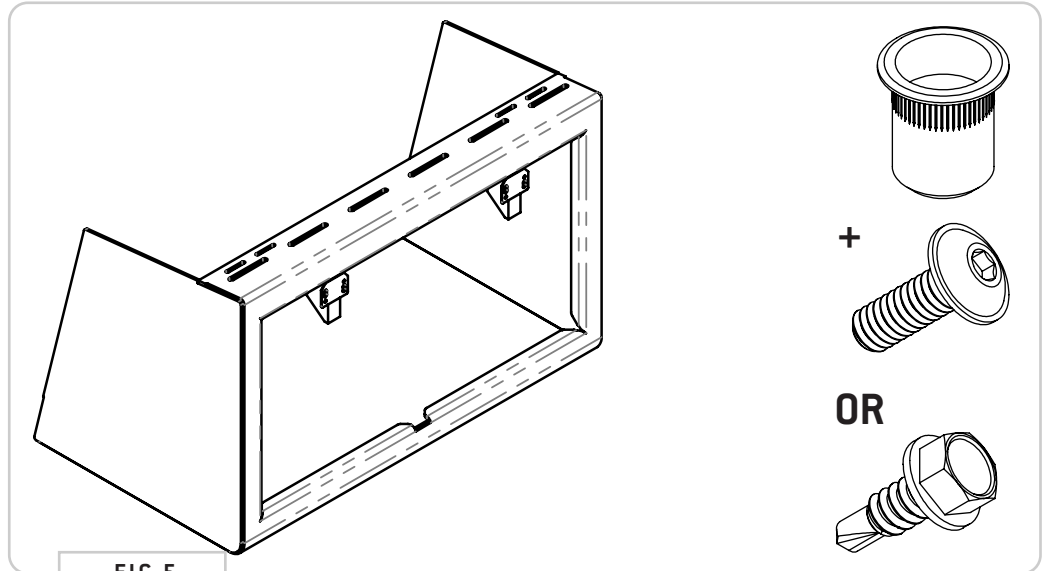
TOOLS REQUIRED FOR THIS STEP:

RIVET NUT METHOD

- + POWER DRILL
- + 3/16" DRILL BIT
- + RIVET NUT TOOL
- + 1/4" MANDREL

TAPPING SCREWS METHOD

- + POWER DRILL
- + 3/16" DRILL BIT
- + IMPACT DRIVER
- + 7/16" SOCKET



TOOLS REQUIRED FOR THIS STEP: + PHILLIPS SCREWDRIVER

STEP | 03 DOOR ASSEMBLY

3.1 Install the **Cabinet Latch** to the **Cabinet Door** in the orientation as shown in **FIG 7**. Start with clearing the end of the latch that houses the adjustment screw through the front slot and it should seat neatly into place.

3.2 Tighten to door using the **Latch Bracket** and **M5 Screw**.

NOTE - *Don't worry about tuning the latch just yet, you'll make these adjustments later.*

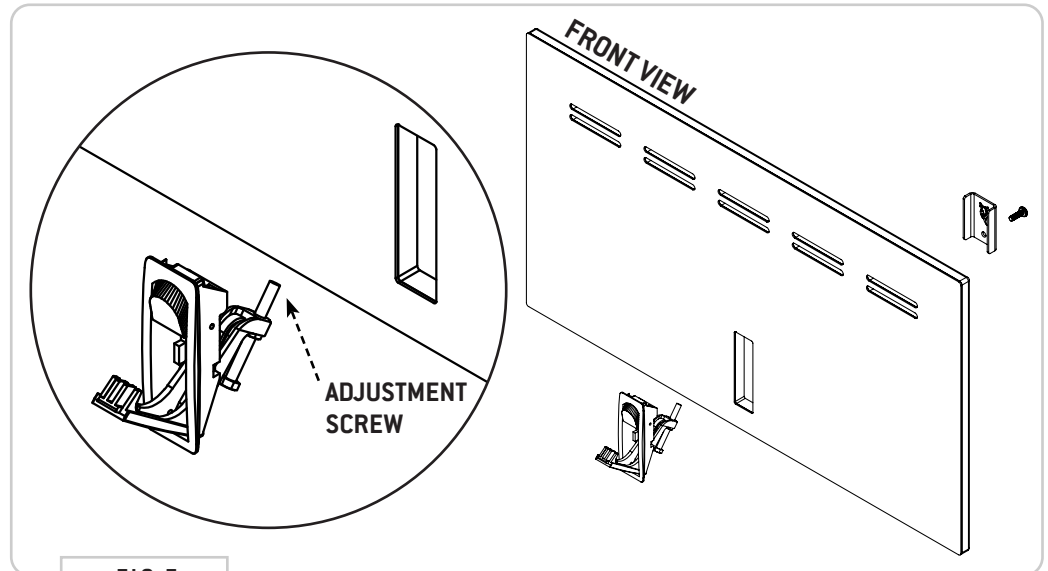


FIG 7

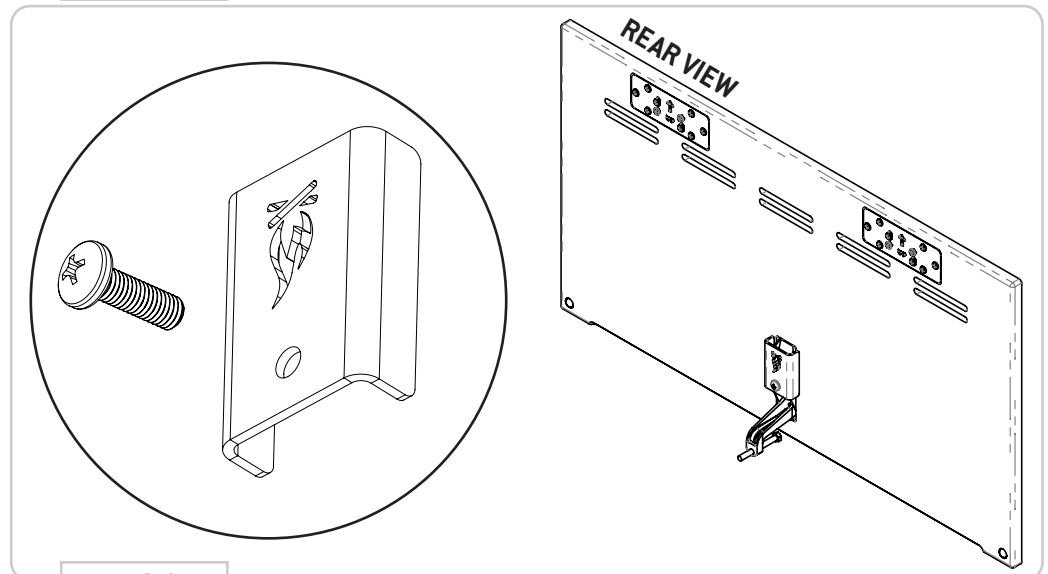


FIG 8

TOOLS REQUIRED FOR THIS STEP: + PHILLIPS SCREWDRIVER

STEP | 04 DOOR INSTALL

4.1 After mounting the **Cabinet** in the van and installing the **Latch** to the door, carefully pull on the **Cabinet Hinges** into the open position as shown in **FIG 9**.

4.2 Mount the Door to the Hinges with (2ea) **6-32 Machine Screws** in the hinge slots as pictured in **FIG 10**.

NOTE - Be sure to use the **Machine Screws** and not the **Wood Screws**, as that would prohibit your ability to adjust the alignment of the doors.

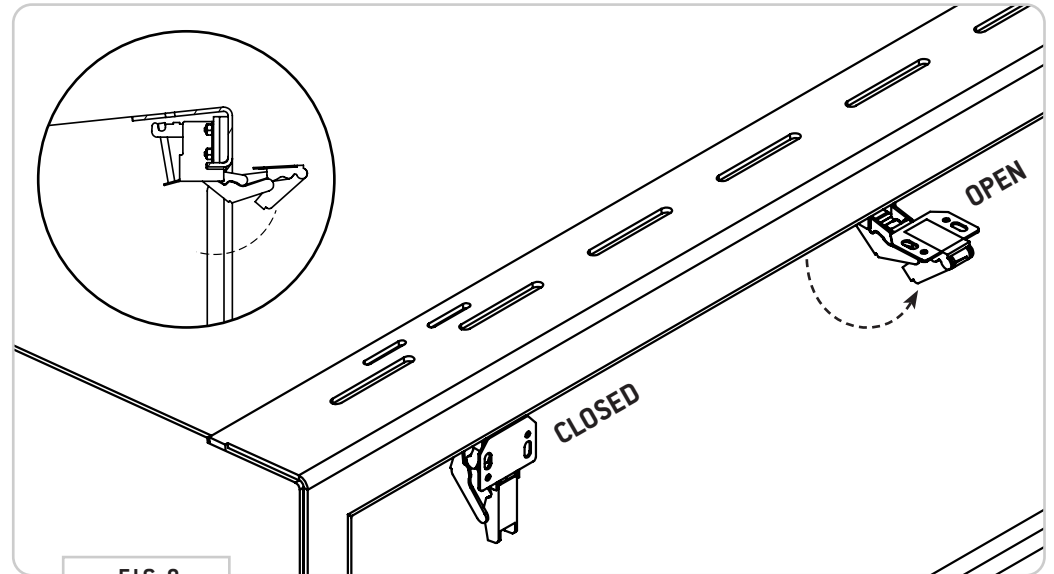


FIG 9

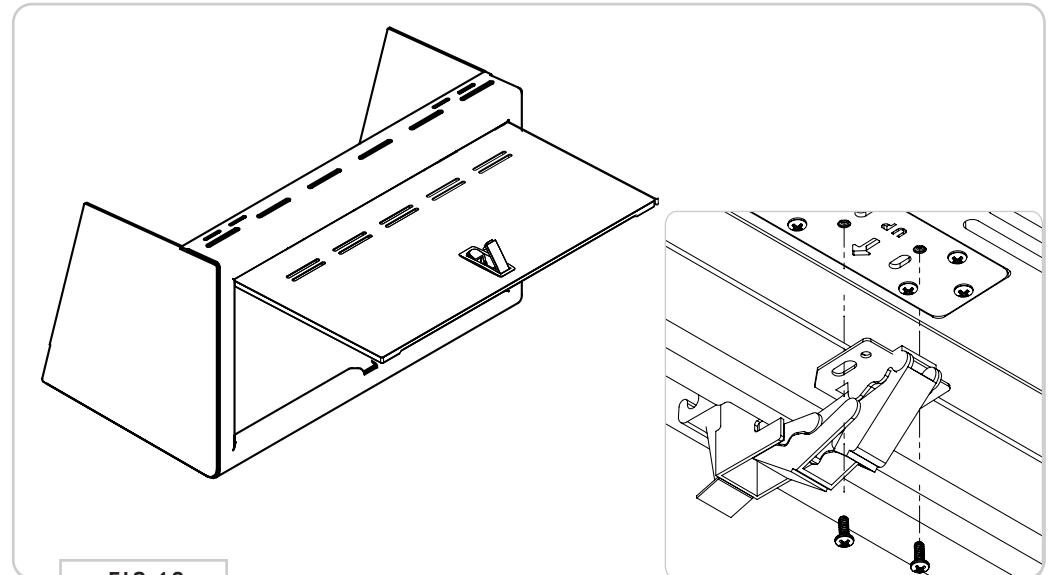


FIG 10

TOOLS REQUIRED FOR THIS STEP: + PHILLIPS SCREWDRIVER

STEP | 05 ALIGNMENT

5.1 Close the door and verify alignment. Adjust as needed by loosening screws and re-positioning door(s). Repeat as necessary.

5.2 Once alignment is achieved, add (2ea) **#6 Wood Screws** into the setting hinge slots as pictured in **FIG 11**.

5.3 Tune the **Cabinet Latch** by turning the adjustment screw to a length that provides a snug compression to the cabinet body when closed. Lock in the adjustment by tightening the **Jam Nut** down against the latch arm.

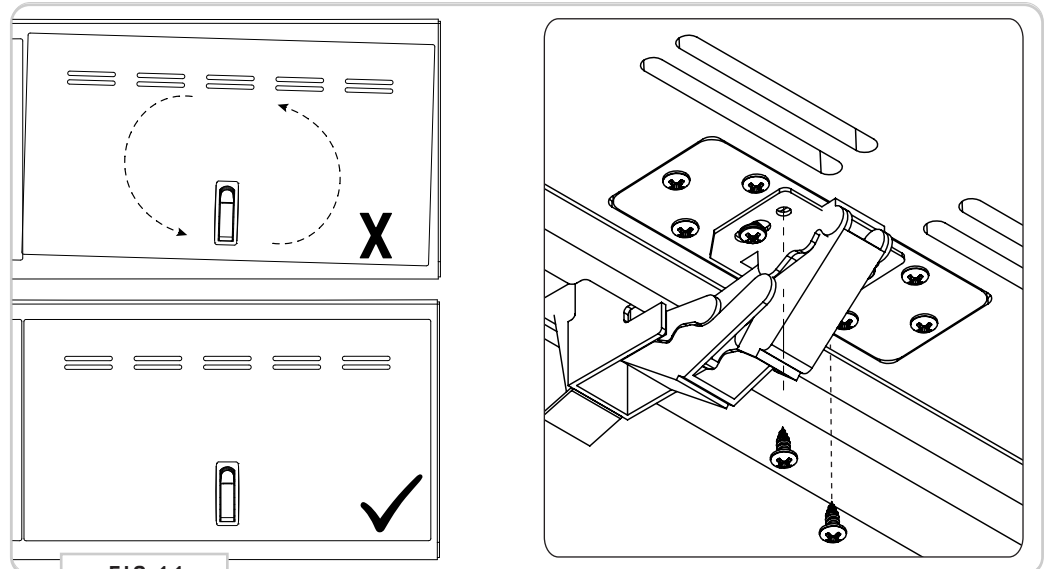


FIG 11

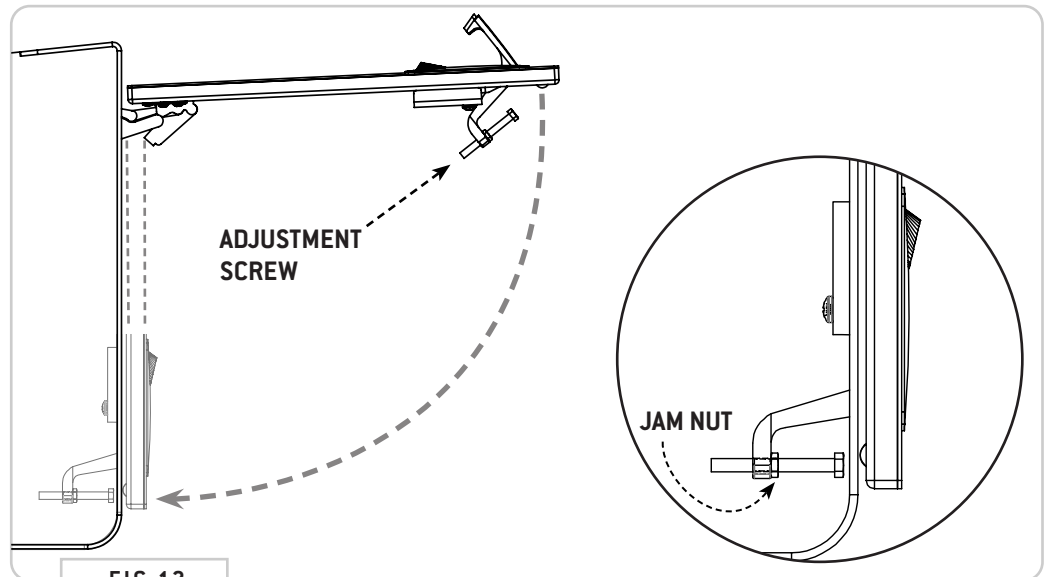


FIG 12

GET OUT AND EXPLORE!

+ LEAVE US A REVIEW

Happy with your new FVC product? We would love to hear (and see) from you! Head to the product page and click "Leave Review." Add a short review and upload a few photos to be showcased on the product page.

+ SHARE YOUR PICS

We love seeing how our customers use their FVC products and following along with your adventures. Tag us in your photos with: @flatlinevanco or send them to us via email. We love posting customer pictures in our feed!

+ NEED ANY HELP?

If you are having any issues with your product, please reach out, and we will make it right. FVC is a company of van and outdoor enthusiasts that design and use our own products, so we want you to be as stoked on your new parts as we are!



@FLATLINEVANCO