



# INSTALLATION GUIDE

## SPRINTER VAN 12 INCH OPEN SHELF

SP5011B



### TOOLS REQUIRED (NOT INCLUDED)

- + PHILLIPS SCREWDRIVER
- + RIVET NUT TOOL
- + POWER DRILL
- + IMPACT DRIVER
- + MARKER

### INSTALL INFO

TIME TO INSTALL THIS PRODUCT: 1 HOUR

Additional help is suggested for a few of the install steps.

### BEFORE YOU START

Please inspect the product and packaging upon delivery to ensure there are no issues and that all parts and hardware are accounted for.

Contact us ASAP if anything is missing at:

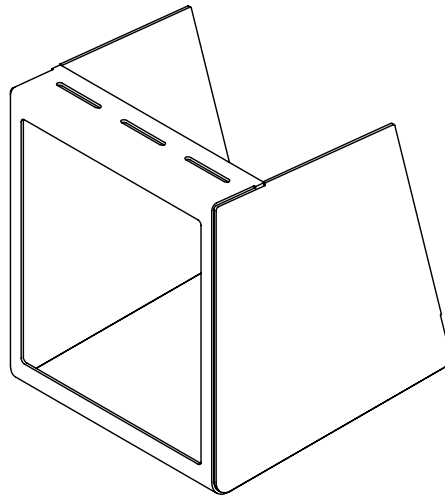
[support@flatlinevanco.com](mailto:support@flatlinevanco.com)

# BEFORE YOU START

All Flatline Van Co products must be properly assembled and secured before attaching to your vehicle. Improper attachment could result in an automobile accident, and could cause serious bodily injury or death to you or to others involved. You are responsible for assembling and securing Flatline Van Co products to your vehicle, checking the mounting points and attachments prior to use, and regularly inspecting the products for wear and or damage. We always recommend you use a professional to install any aftermarket accessories to your vehicle. If you have no mechanical experience and are not thoroughly familiar with the installation procedures, you must have the product installed by a professional installer or other qualified persons. The responsibility is yours and must be taken seriously for everyone's safety.



# PACKAGE CONTENTS



OPEN SHELF

QTY: 1

# INSTALL

## STEP | 01 LAYOUT & INSTALL PREP

Determining where you'd like to install your cabinet is up to you, however there are some tips that make choosing the location a little easier.

See the diagrams **FIG 1** and **FIG 2**. Notice the centerline ribs depicted as a dotted line. This centerline is standard across all sizes of Sprinter Van and can be used as a reference point when measuring your available wall space.

Take the time to measure your available wall space and layout potential cabinet locations before installing.

**NOTE** - Due to the amount of variability and specific needs of each vehicle, we do not supply hardware for DIY installs.

TOOLS REQUIRED FOR THIS STEP: + TAPE MEASURE

### 144" HIGH ROOF + LOW ROOF SPRINTER VAN

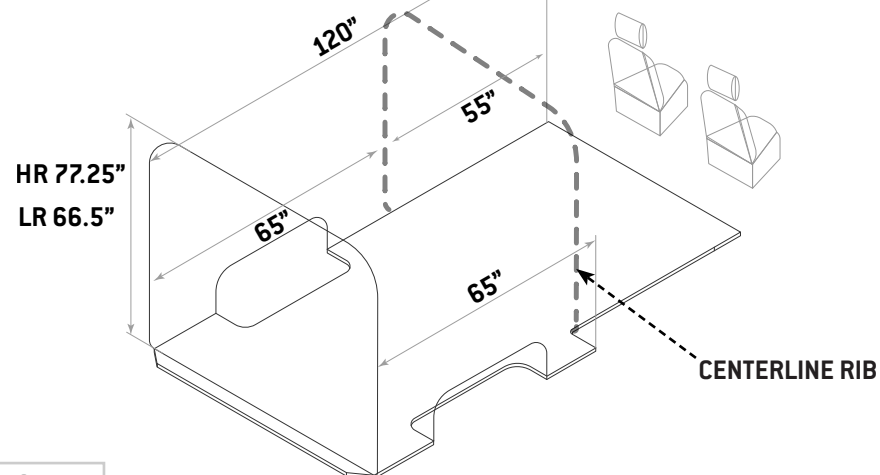


FIG 1

### 170" HIGH ROOF SPRINTER VAN

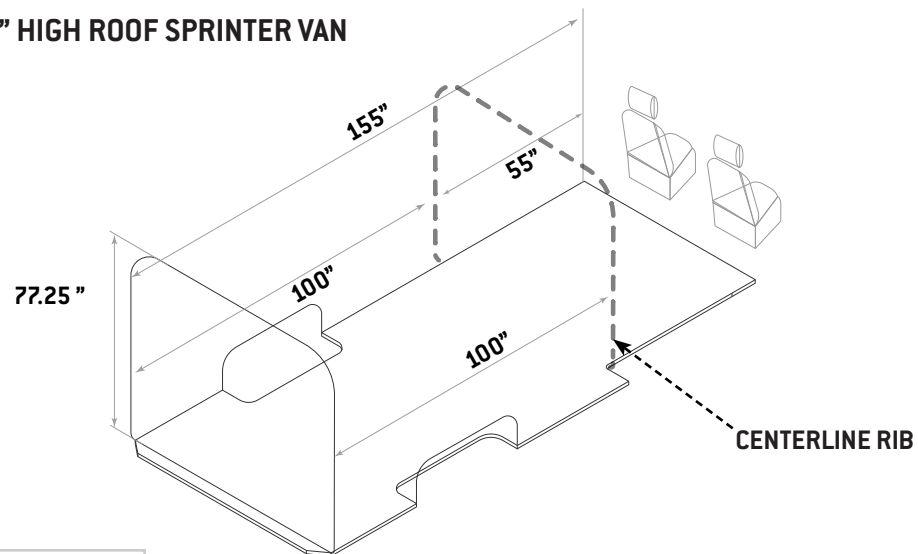


FIG 2

## STEP | 02 DIY INSTALL

The upper and lower mounting surfaces of the Cabinet have multiple horizontal slots to accept hardware for wherever and however you'd like to install them.

**The slots can accept 1/4" hardware (i.e. 1/4-20 or #12) for your reference.**

It is recommended to install cabinets securely into the vans structural sheet metal using rivet nuts and screws for maximum performance. Sheet metal screws can also be used in some situations.

In **FIG 4**, note the areas marked in orange. Any spot along this structural sheet metal can be used to mount your cabinet.

**2.1b** With help, lift the cabinet to the desired location in the van. Identify which mounting slots will be used for the ceiling and wall mounting hardware.

**2.2b** Mark locations if necessary.

**2.3b** Mount cabinet with desired hardware.

**NOTE -** Removing or drilling through existing wall panels may be necessary.

**NOTE -** For additional security, consider drilling through and bolting this shelf to your other Cabinets.

**PRO-TIP:** Bracing the gaps between these mounting areas with wood or metal firing will provide more surface area for mounting your cabinet to the van.

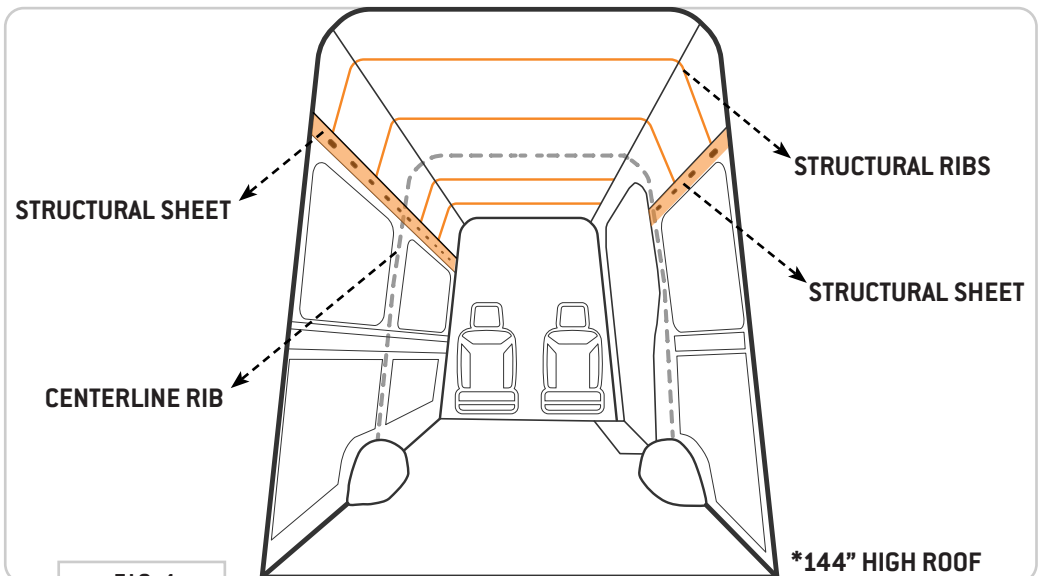
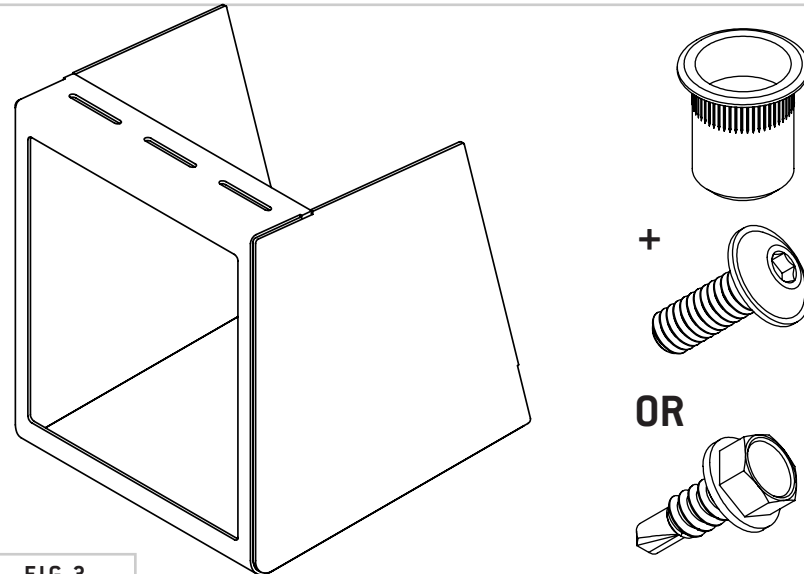
### TOOLS REQUIRED FOR THIS STEP:

#### RIVET NUT METHOD

- + POWER DRILL
- + 3/16" DRILL BIT
- + RIVET NUT TOOL
- + 1/4" MANDREL

#### TAPPING SCREWS METHOD

- + POWER DRILL
- + 3/16" DRILL BIT
- + IMPACT DRIVER
- + 7/16" SOCKET



# GET OUT AND EXPLORE!

## + LEAVE US A REVIEW

---

Happy with your new FVC product? We would love to hear (and see) from you! Head to the product page and click "Leave Review." Add a short review and upload a few photos to be showcased on the product page.

## + SHARE YOUR PICS

---

We love seeing how our customers use their FVC products and following along with your adventures. Tag us in your photos with: @flatlinevanco or send them to us via email. We love posting customer pictures in our feed!

## + NEED ANY HELP?

---

If you are having any issues with your product, please reach out, and we will make it right. FVC is a company of van and outdoor enthusiasts that design and use our own products, so we want you to be as stoked on your new parts as we are!



@FLATLINEVANCO