



# INSTALLATION GUIDE

## SPRINTER VAN ARB COMPRESSOR MOUNT

SP1139B



### TOOLS REQUIRED (NOT INCLUDED)

- + 10MM WRENCH OR SOCKET
- + 7/16" WRENCH OR SOCKET
- + 5/32" ALLEN WRENCH
- + AUTO PANEL PRY TOOL

### INSTALL INFO

TIME TO INSTALL THIS PRODUCT: 1 HOUR

Additional help is suggested for a few of the install steps.

### BEFORE YOU START

Please inspect the product and packaging upon delivery to ensure there are no issues and that all parts and hardware are accounted for.

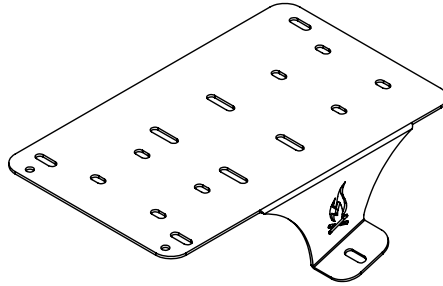
Contact us ASAP if anything is missing at:  
[support@flatlinevanco.com](mailto:support@flatlinevanco.com)

# BEFORE YOU START

All Flatline Van Co products must be properly assembled and secured before attaching to your vehicle. Improper attachment could result in an automobile accident, and could cause serious bodily injury or death to you or to others involved. You are responsible for assembling and securing Flatline Van Co products to your vehicle, checking the mounting points and attachments prior to use, and regularly inspecting the products for wear and or damage. We always recommend you use a professional to install any aftermarket accessories to your vehicle. If you have no mechanical experience and are not thoroughly familiar with the installation procedures, you must have the product installed by a professional installer or other qualified persons. The responsibility is yours and must be taken seriously for everyone's safety.



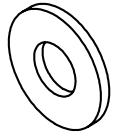
# PACKAGE CONTENTS



COMPRESSOR MOUNT

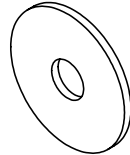
QTY: 1

# HARDWARE



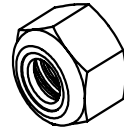
1/4 SCREW FLAT  
WASHER

QTY: 4



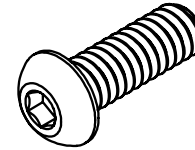
1/4 SCREW X 1  
OVERSIZED FLAT  
WASHER

QTY: 2



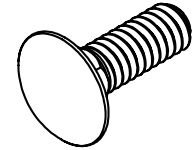
1/4-20 NYLON INSERT  
LOCKNUT

QTY: 4



1/4-20 X 0.75 BUTTON  
HEAD HEX DRIVE  
SCREW

QTY: 2



1/4-20 X 0.75 SQUARE  
NECK CARRIAGE BOLT

QTY: 2

**TOOLS REQUIRED FOR THIS STEP:** + AUTO PANEL PRY TOOL  
+ 10MM WRENCH OR SOCKET

## STEP | 01 LAYOUT AND INSTALL PREP

**1.1 Remove Cabin Air Filter Box:** Remove the **Four Bolts** (two on each side) that hang the **Cabin Air Filter Box** on the **Passenger Side** of the **Engine Bay** (**FIG 1**) using a **10MM Socket**.

**1.2 Release Wiring Harness on Mounting Surface:** Locate the **Wiring Harness** that runs along the **Chassis Mounting Surface** and release it by prying the two **Clips** in **FIG 2**.



FIG 1

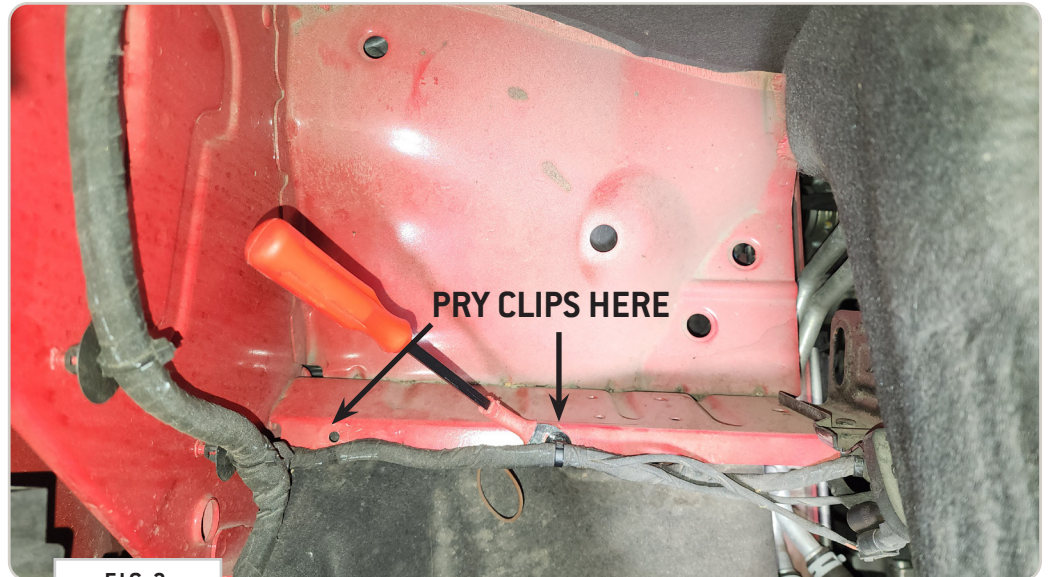


FIG 2



TOOLS REQUIRED FOR THIS STEP: + AUTO PANEL PRY TOOL  
+ 10MM WRENCH OR SOCKET

## STEP | 01 LAYOUT AND INSTALL PREP

**1.3 Remove Inner Fender Liner:** In order to access the underside of the **Chassis Mounting Surface**, remove the **Inner Fender Liner** on the **Passenger Side** by first prying out the **two Push Pins** shown in **FIG 3** and the **three Push Pins** shown in **FIG 4**. Complete the process by removing the four **Plastic Nuts** shown in **FIG 5+6** with a **10MM Socket**.



## STEP | 02 MOUNT COMPRESSOR

**2.1 Attach Compressor to Mount Plate:** Attach the **air compressor** to the **mounting plate** using the hardware supplied with the compressor. While each product will likely differ in the variety of hardware used, be sure to use the **Threadlocker** included in this kit to ensure a secure install.

**NOTE** - *The product pictured as an example is the **Twin Motor Onboard 12V Air Compressor** from ARB.*

TOOLS REQUIRED FOR THIS STEP:

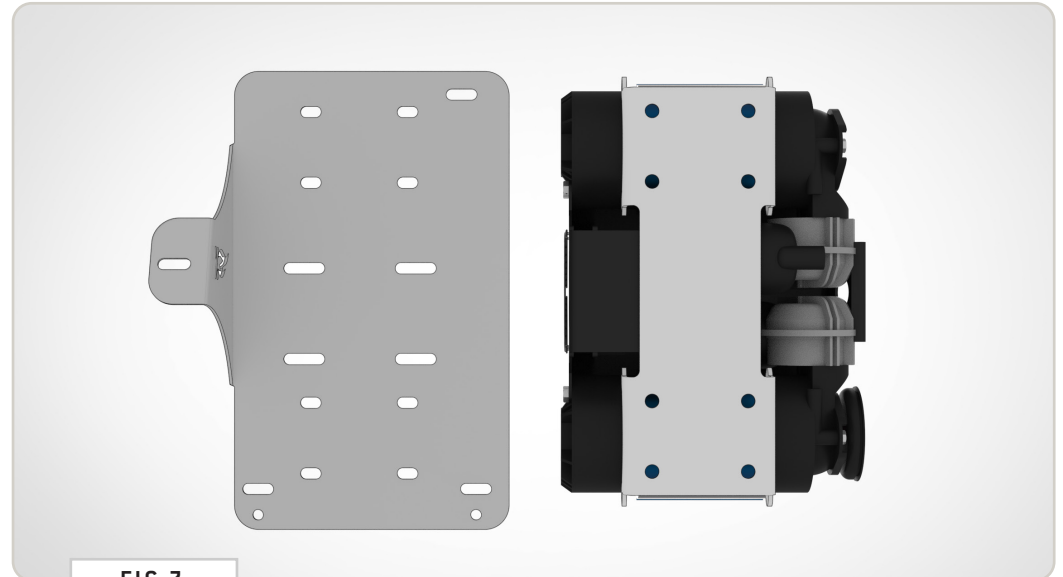


FIG 7

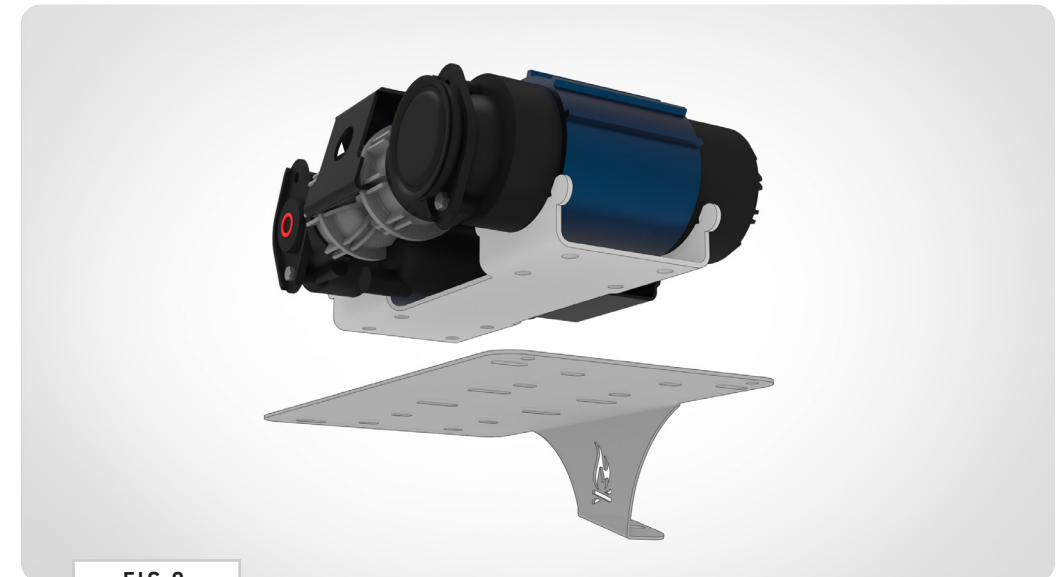


FIG 8

**TOOLS REQUIRED FOR THIS STEP:** + 5/32" ALLEN WRENCH  
+ 7/16" WRENCH OR SOCKET

## STEP | 03 INSTALL TO VAN

**3.1 Position Plated Compressor:** Position the **Mounting Plate** (with the **Compressor** installed) along the **Mounting Surface** in the **Engine Bay** in the orientation shown in **FIG 6**.

**3.2 Thread Carriage Bolts Through Van Body:** Thread in the supplied **1/4-20" x 0.75 Square Neck Carriage Bolts** through the pre-existing **Mounting Holes** shown in **FIG 6+7** and set loosely into place with a **1/4" Oversized Flat Washer** and **Nylon Locknut** (**FIG 11**).

**3.3 Thread Button Head Screws Through Clip Holes:** Thread in the supplied **1/4-20" Button Head Screws** with a **1/4" Flat Washer** through the pre-existing **Mounting Holes** previously housed the **Wiring Harness** shown in **FIG 6+7** and set loosely into place with another **1/4" Flat Washer** and **Nylon Locknut** (**FIG 12**).

**3.4 Tighten All Fasteners:** Once you are satisfied with the alignment and overall positioning of the **Bracket and Compressor**, proceed to tighten all fasteners.

**3.5 Reinstall Van Components:** Re-install van components in the reverse order of removal (i.e. **Fender Liner, Wiring Harness and Cabin Air Filter**).

**NOTE -** There are holes drilled into the **Mounting Plate** to relocate the clips holding the **Wiring Harness**. See **FIG 12** for locations.

**NOTE -** Please consult the manufacturer's guidelines for the final wiring and plumbing of the air compressor system.

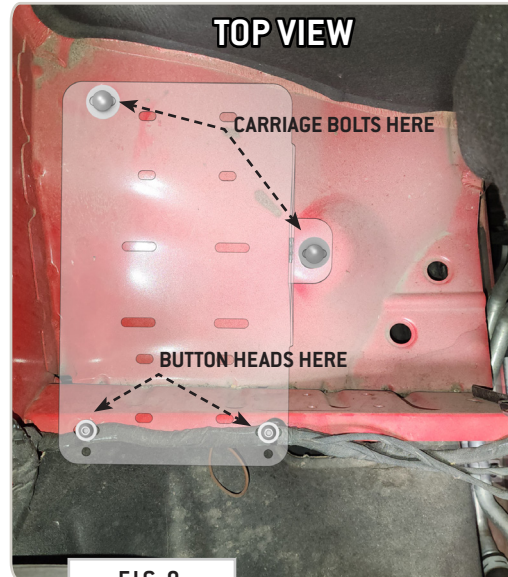


FIG 9

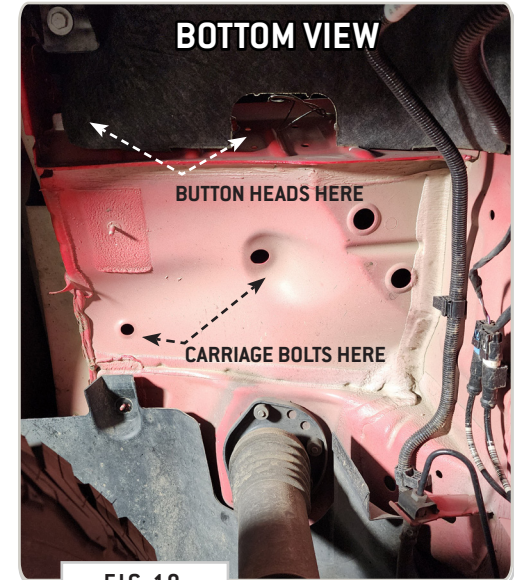


FIG 10

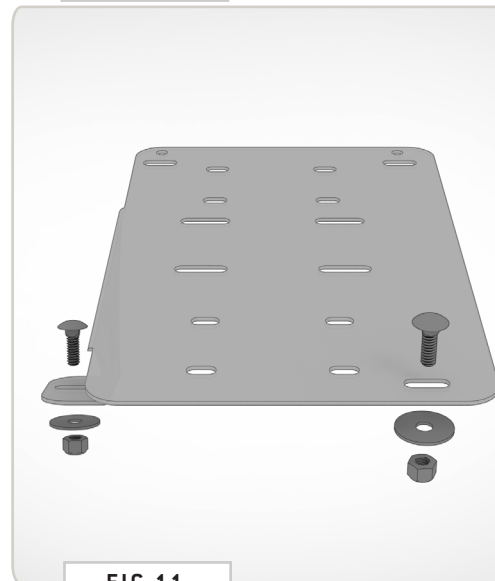


FIG 11

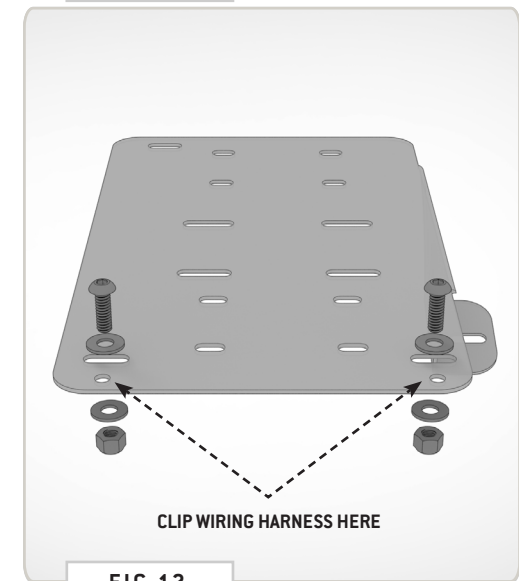


FIG 12



# GET OUT AND EXPLORE!

## + LEAVE US A REVIEW

---

Happy with your new FVC product? We would love to hear (and see) from you! Head to the product page and click "Leave Review." Add a short review and upload a few photos to be showcased on the product page.

## + SHARE YOUR PICS

---

We love seeing how our customers use their FVC products and following along with your adventures. Tag us in your photos with: @flatlinevanco or send them to us via email. We love posting customer pictures in our feed!

## + NEED ANY HELP?

---

If you are having any issues with your product, please reach out, and we will make it right. FVC is a company of van and outdoor enthusiasts that design and use our own products, so we want you to be as stoked on your new parts as we are!



@FLATLINEVANCO