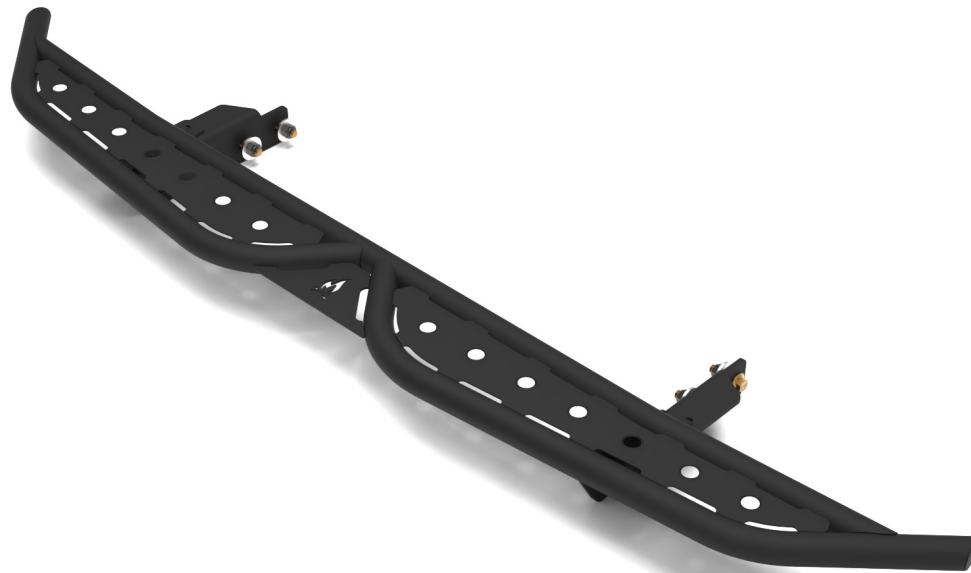




INSTALLATION GUIDE

SPRINTER VAN REAR TUBE STEP

SP1105B



TOOLS REQUIRED (NOT INCLUDED)

- + RATCHET
- + 16MM SOCKET OR WRENCH
- + 19MM SOCKET OR WRENCH
- + 9/16" WRENCH OR SOCKET

INSTALL INFO

TIME TO INSTALL THIS PRODUCT: 45 MINUTES

Additional help is suggested for a few of the install steps.

BEFORE YOU START

Please inspect the product and packaging upon delivery to ensure there are no issues and that all parts and hardware are accounted for.

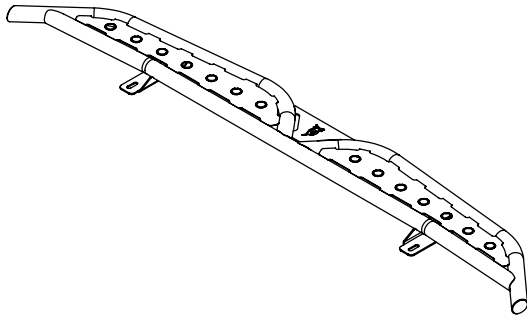
Contact us ASAP if anything is missing at:
support@flatlinevanco.com

BEFORE YOU START

All Flatline Van Co products must be properly assembled and secured before attaching to your vehicle. Improper attachment could result in an automobile accident, and could cause serious bodily injury or death to you or to others involved. You are responsible for assembling and securing Flatline Van Co products to your vehicle, checking the mounting points and attachments prior to use, and regularly inspecting the products for wear and or damage. We always recommend you use a professional to install any aftermarket accessories to your vehicle. If you have no mechanical experience and are not thoroughly familiar with the installation procedures, you must have the product installed by a professional installer or other qualified persons. The responsibility is yours and must be taken seriously for everyone's safety.

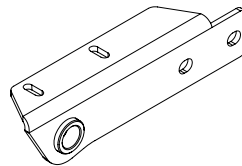


PACKAGE CONTENTS



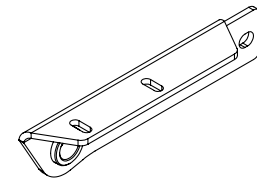
REAR TUBE STEP

QTY: 1



DRIVER SIDE
BRACKET WELDMENT

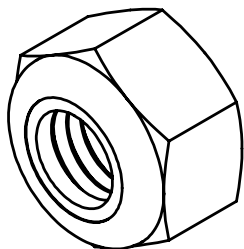
QTY: 1



PASSENGER SIDE
BRACKET WELDMENT

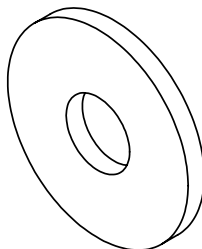
QTY: 1

HARDWARE



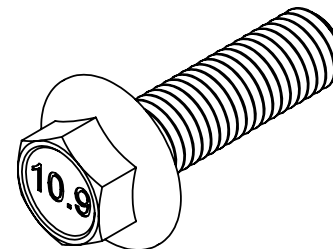
M12-1.75 NYLON INSERT
LOCKNUT

QTY: 4



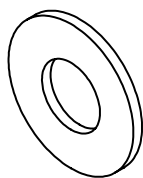
M12 SCREW X 37 O.D.
OVERSIZED FLAT WASHER

QTY: 4



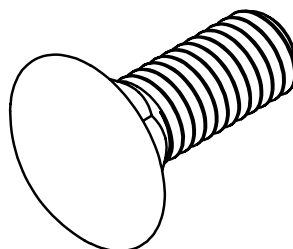
M12-1.75 X 40 FLANGED
HEX HEAD SCREW

QTY: 4



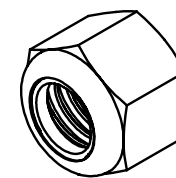
3/8 SCREW FLAT WASHER

QTY: 4



3/8-16 X 1 SQUARE NECK
CARRIAGE BOLT

QTY: 4



M12-1.75 X 40 FLANGED
HEX HEAD SCREW

QTY: 4

INSTALL

STEP | 01 LAYOUT AND INSTALL PREP

1.1 Checking for Factory Step: If your van is equipped with a factory step on the side of the tow hitch (**FIG 1**), remove it before proceeding. If you don't have a factory step, skip to the next step.

1.2 Organize Tools and Parts: Organize and inspect all parts and hardware to ensure they are in good condition and accounted for (**FIG 2**).

NOTE - *If you have an aftermarket hitch, you may need to drill holes to accommodate the brackets. Contact customer service for assistance if needed.*

TOOLS REQUIRED FOR THIS STEP:

- + RATCHET
- + 16MM SOCKET OR WRENCH
- + 19MM SOCKET OR WRENCH
- + 9/16" WRENCH OR SOCKET



FIG 1



FIG 2

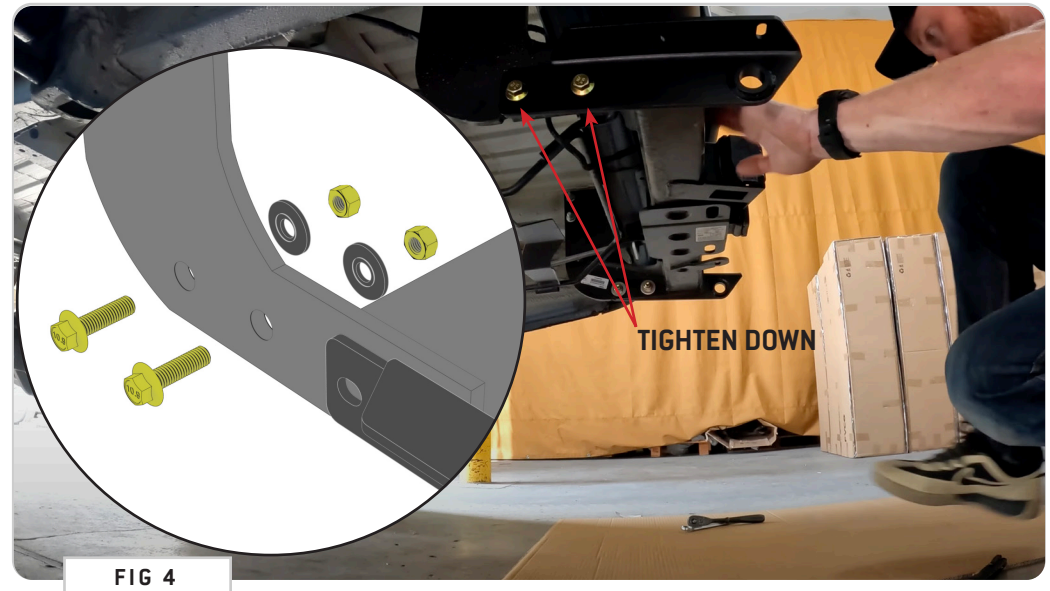
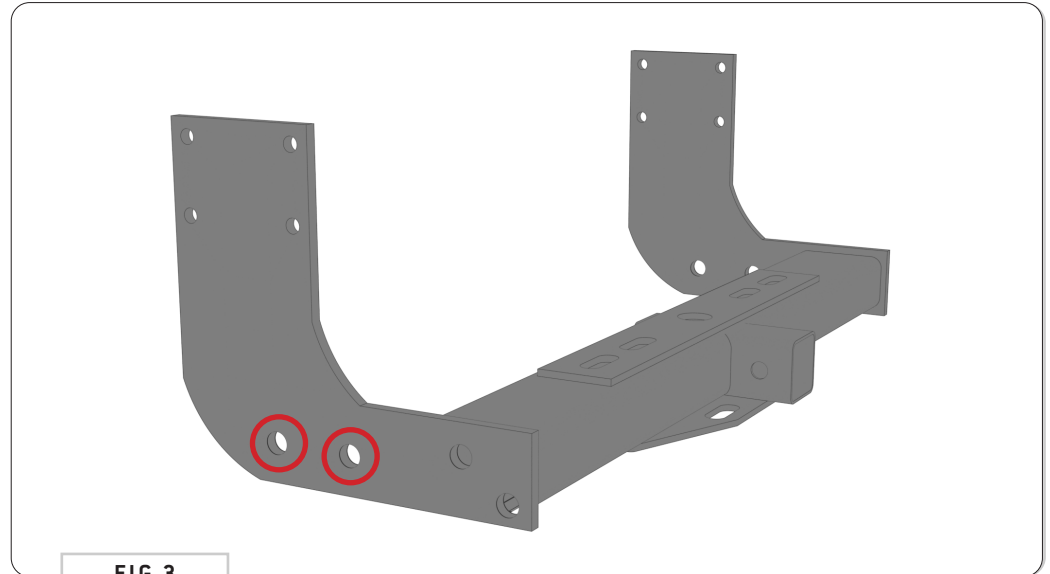
STEP | 02 ATTACH BRACKETS

2.1 Position Brackets: Position the brackets on either side of the factory tow hitch, aligning with the two holes as shown in FIG 3.

2.2 Attach Brackets to Factory Tow Hitch: Insert the **M12 Screws** through the holes and attach with **Washers And Nylon Insert Locknuts** on the opposite side (FIG 4).

NOTE - You may need to clip the zip tie holding the trailer wiring through one of the mount holes and relocate it.

TOOLS REQUIRED FOR THIS STEP: + RATCHET
+ 16MM SOCKET OR WRENCH
+ 19MM SOCKET OR WRENCH



STEP | 03 INSTALL REAR TUBE STEP

3.1 Attach Rear Tube Step to Brackets: Rest the rear tube step on top of the attached brackets (FIG 5) and insert the carriage bolts up from the bottom through the attachment brackets of the rear tube step (FIG 6). Place a washer under each nylon insert locknut and tighten, but leave the hardware loose enough to allow movement of the step.

NOTE - A ratcheting box wrench is useful for those awkward positions when tightening the hardware. You could also flip the hardware stack upside down for additional clearance around your recovery points if needed.

TOOLS REQUIRED FOR THIS STEP: + RATCHET
+ 9/16" WRENCH OR SOCKET

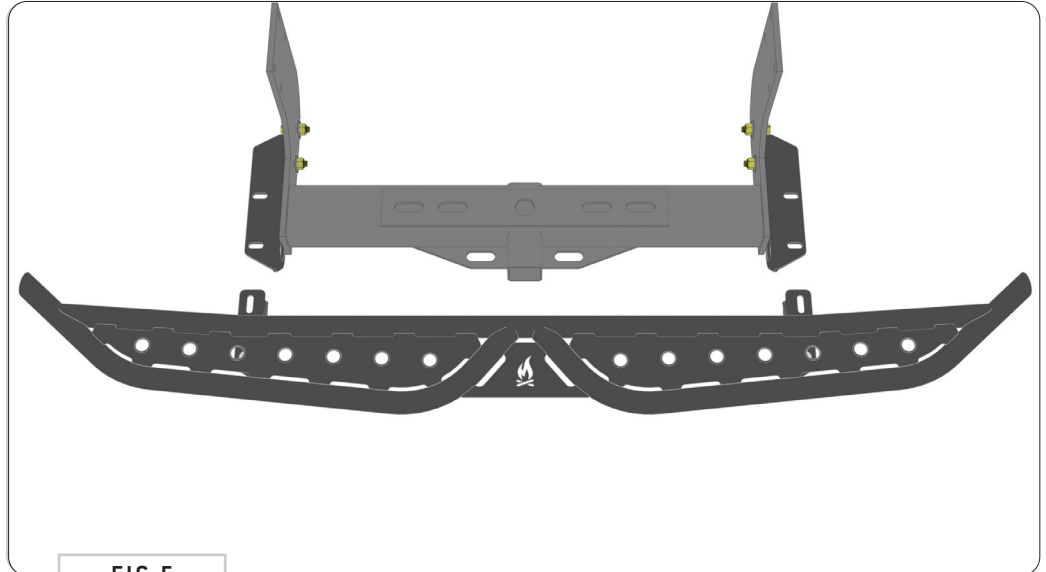


FIG 5

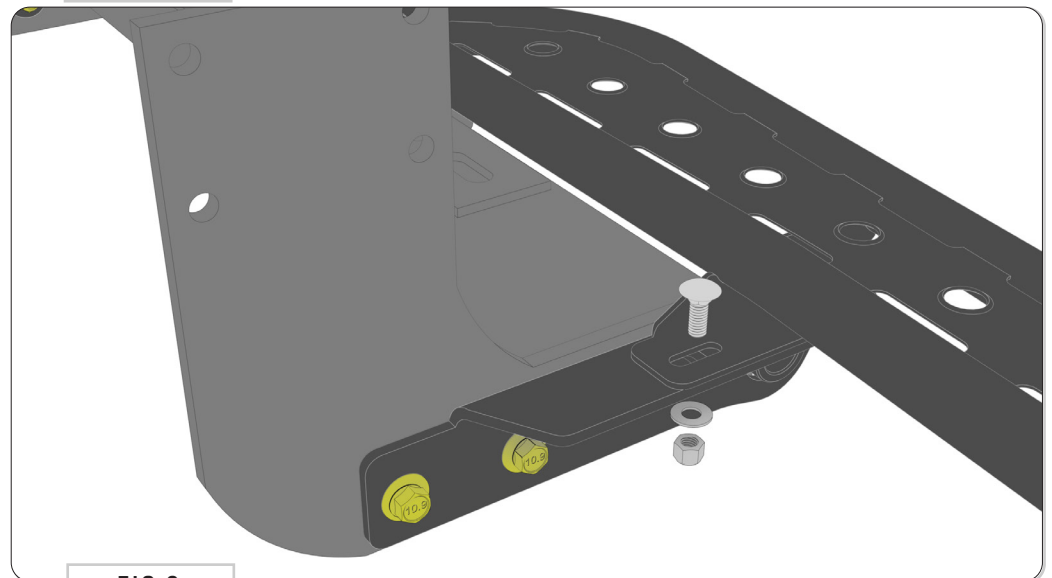


FIG 6

TOOLS REQUIRED FOR THIS STEP: + RATCHET
+ 9/16" WRENCH OR SOCKET

STEP | 04 ALIGNMENT & FINAL CHECK

4.1 Align Rear Tube Step to Bumper: Align the rear step with the bumper of your van (**FIG 7**). Once satisfied with the alignment, fully tighten all fasteners.

4.2 Tighten All Fasteners: Ensure all bolts and nuts are securely tightened. Verify the step is solid and does not move. Check for proper clearance around the hitch mount and lights.

NOTE - Mounting bosses on the rear step are designed to accept 3/4" recovery shackles with a 7/8" pin (**FIG 8**). Using recovery shackles with rubber washers can eliminate any rattling.

NOTE - Regularly check the bolts and nuts to ensure they remain secure over time.



GET OUT AND EXPLORE!

+ LEAVE US A REVIEW

Happy with your new FVC product? We would love to hear (and see) from you! Head to the product page and click "Leave Review." Add a short review and upload a few photos to be showcased on the product page.

+ SHARE YOUR PICS

We love seeing how our customers use their FVC products and following along with your adventures. Tag us in your photos with: @flatlinevanco or send them to us via email. We love posting customer pictures in our feed!

+ NEED ANY HELP?

If you are having any issues with your product, please reach out, and we will make it right. FVC is a company of van and outdoor enthusiasts that design and use our own products, so we want you to be as stoked on your new parts as we are!



@FLATLINEVANCO