



INSTALLATION GUIDE

SPRINTER HEADLINER SHELF CURTAIN ROD SP1010B



TOOLS REQUIRED (NOT INCLUDED)

- + POWER DRILL
- + MARKER
- + 7/16" WRENCH OR SOCKET
- + 9/32" DRILL BIT
- + 5/32" ALLEN WRENCH

INSTALL INFO

TIME TO INSTALL THIS PRODUCT: 30-45 MINUTES

Additional help is suggested for a few of the install steps.
Compatible with all FVC Rear Door Platforms.

BEFORE YOU START

Please inspect the product and packaging upon delivery to ensure there are no issues and that all parts and hardware are accounted for.

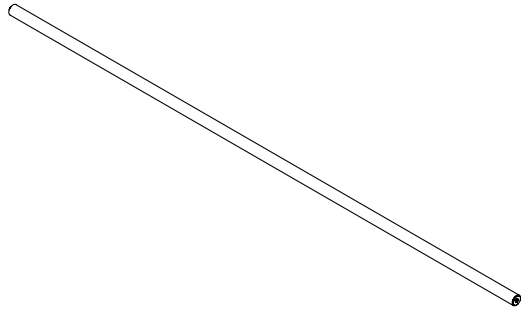
Contact us ASAP if anything is missing at:
support@flatlinevanco.com

BEFORE YOU START

All Flatline Van Co products must be properly assembled and secured before attaching to your vehicle. Improper attachment could result in an automobile accident, and could cause serious bodily injury or death to you or to others involved. You are responsible for assembling and securing Flatline Van Co products to your vehicle, checking the mounting points and attachments prior to use, and regularly inspecting the products for wear and or damage. We always recommend you use a professional to install any aftermarket accessories to your vehicle. If you have no mechanical experience and are not thoroughly familiar with the installation procedures, you must have the product installed by a professional installer or other qualified persons. The responsibility is yours and must be taken seriously for everyone's safety.

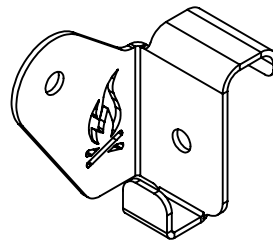


PACKAGE CONTENTS



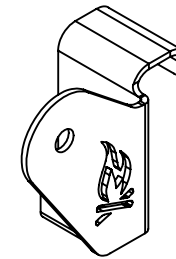
CURTAIN ROD WELDMENT

QTY: 1



DRIVER SIDE BRACKET

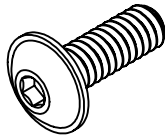
QTY: 1



PASSENGER SIDE CURTAIN BRACKET

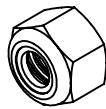
QTY: 1

HARDWARE



1/4-20 X 0.75 FLANGED
BUTTON HEAD HEX DRIVE
SCREW

QTY: 4



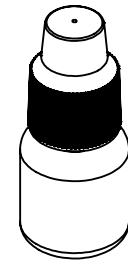
1/4-20 NYLON INSERT
LOCKNUT

QTY: 2



1/4 SCREW FLAT WASHER

QTY: 2



THREADLOCKER

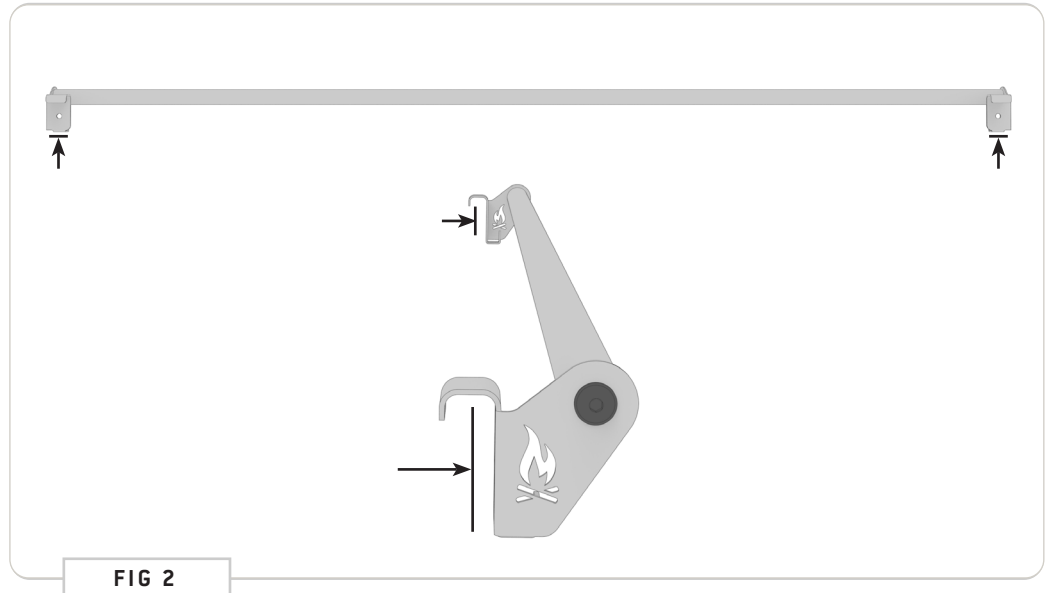
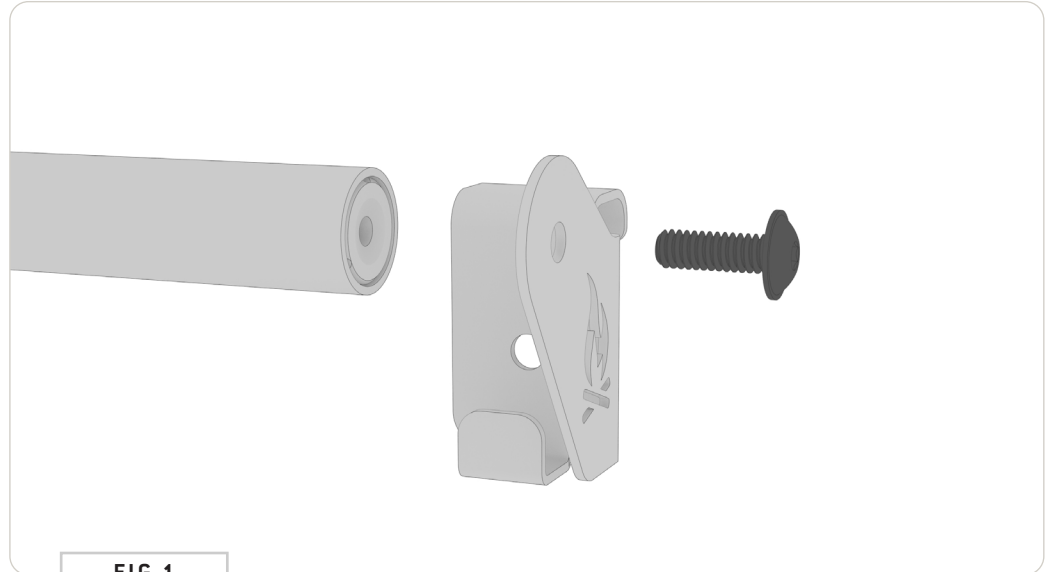
QTY: 1

INSTALL

STEP | 01 ASSEMBLE CURTAIN ROD

1.1 Assemble Curtain Rod: Use (1ea) 1/4-20 X 0.75" Flanged Button Head Screws with Loctite to install Driver and Passenger Side Brackets on the end of the Curtain Rod Weldment (FIG 1). Align the brackets so the mounting faces are parallel (FIG 2) and tighten the screws.

TOOLS REQUIRED FOR THIS STEP: + 5/32" ALLEN WRENCH



STEP | 02 INSTALL CURTAIN ROD

2.1 Position Curtain Rod: Hang the **Curtain Rod** on the **Headliner Shelf** (FIG 3). Position the **Curtain Rod** so that it is centered.

2.2 Mark Headliner Shelf for Drilling: Mark through the mounting holes of the **Curtain Rod** onto the **Headliner Shelf Flange** (FIG 4).

2.3 Drill Mounting Holes: Remove the **Curtain Rod** and drill through the **Headliner Shelf Flange** in the locations marked from the last step (FIG 5).

2.4 Install Curtain Rod to Headliner Shelf: Hang the **Curtain Rod** back onto the **Headliner Shelf**. Put remaining **Screws** through the drilled mounting holes and secure with a **Flat Washer** and **Nylon Locknut** (FIG 6).

TOOLS REQUIRED FOR THIS STEP:

- + POWER DRILL
- + MARKER
- + 7/16" WRENCH OR SOCKET
- + 9/32" DRILL BIT
- + 5/32" ALLEN WRENCH

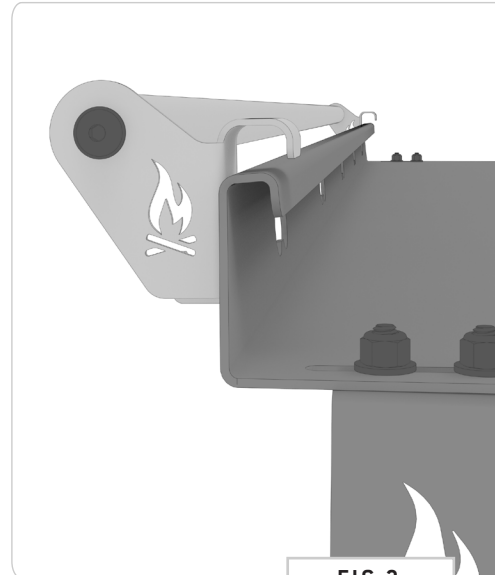


FIG 3

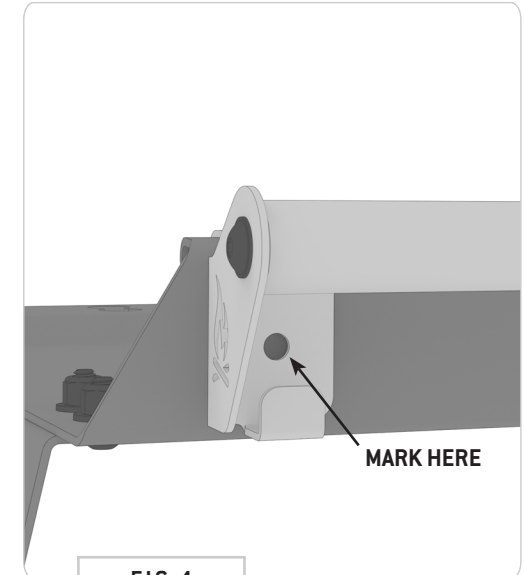


FIG 4



FIG 5

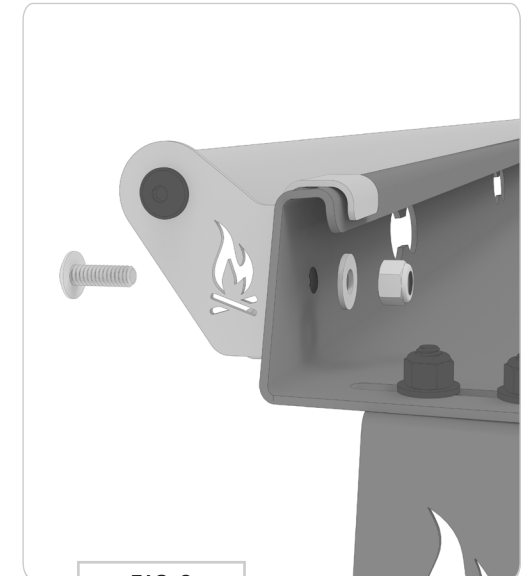


FIG 6

GET OUT AND EXPLORE!

+ LEAVE US A REVIEW

Happy with your new FVC product? We would love to hear (and see) from you! Head to the product page and click "Leave Review." Add a short review and upload a few photos to be showcased on the product page.

+ SHARE YOUR PICS

We love seeing how our customers use their FVC products and following along with your adventures. Tag us in your photos with: @flatlinevanco or send them to us via email. We love posting customer pictures in our feed!

+ NEED ANY HELP?

If you are having any issues with your product, please reach out, and we will make it right. FVC is a company of van and outdoor enthusiasts that design and use our own products, so we want you to be as stoked on your new parts as we are!



@FLATLINEVANCO