



Installation Guide



Step Extension SP1001B

All Flatline Van Co products must be properly assembled and secured before attaching to your vehicle. Improper attachment could result in an automobile accident, and could cause serious bodily injury or death to you or to others involved. You are responsible for assembling and securing Flatline Van Co products to your vehicle, checking the mounting points and attachments prior to use, and regularly inspecting the products for wear and or damage. We always recommend you use a professional to install any aftermarket accessories to your vehicle. If you have no mechanical experience and are not thoroughly familiar with the installation procedures, you must have the product installed by a professional installer or other qualified persons. The responsibility is yours and must be taken seriously for everyone's safety.



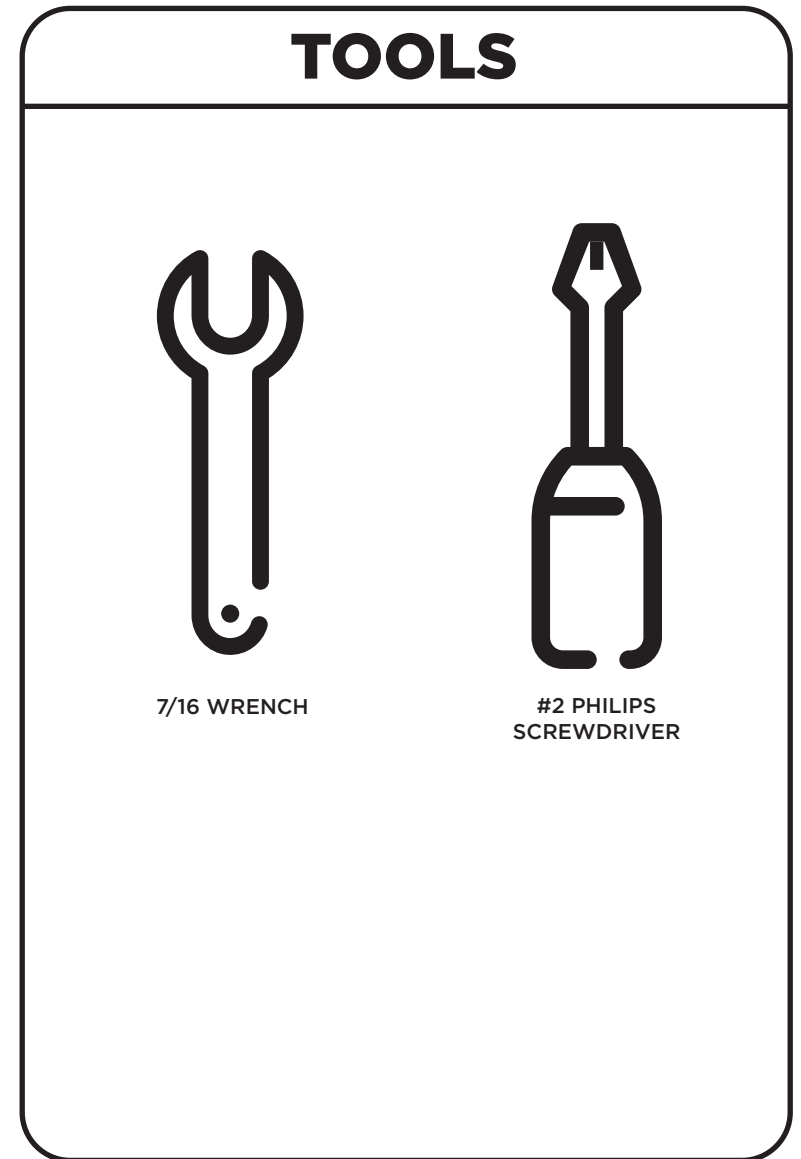
thanks.

THANK YOU!

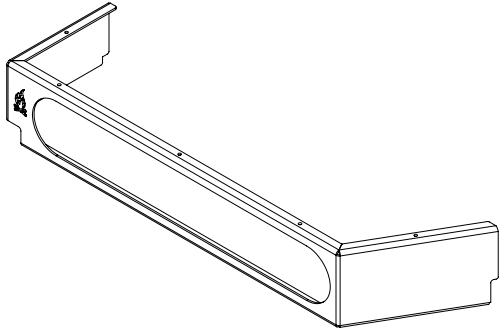
ARE YOU EXCITED ABOUT YOUR NEW STEP EXTENSION? HERE ARE A FEW THINGS TO DO BEFORE BEGINNING THE INSTALLATION PROCESS--

- PLEASE INSPECT THE PRODUCT TO ENSURE THERE WAS NO DAMAGE INCURRED DURING SHIPPING.
- IF THERE IS DAMAGE TO REPORT, PLEASE CONTACT OUR CUSTOMER SERVICE DEPARTMENT AS SOON AS POSSIBLE.
- NEXT, USING THE "PACKAGE CONTENTS" PAGE, CHECK INVENTORY AND FAMILIARIZE YOURSELF WITH THE PARTS AND HARDWARE.
- GATHER ALL TOOLS REQUIRED FOR INSTALL.
 - 7/16 BOX WRENCH OR SOCKET
 - PHILIPS HEAD SCREWDRIVER
 - IMPACT DRIVER OR DRILL

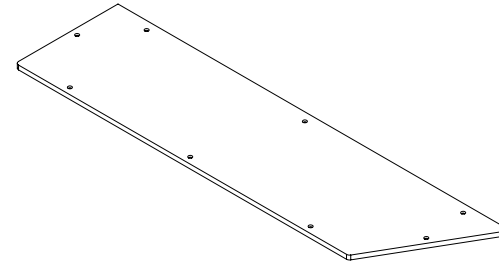
ESTIMATED INSTALL TIME- 1.5 HRS



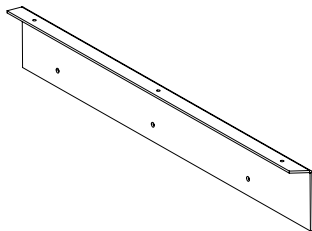
PACKAGE CONTENTS



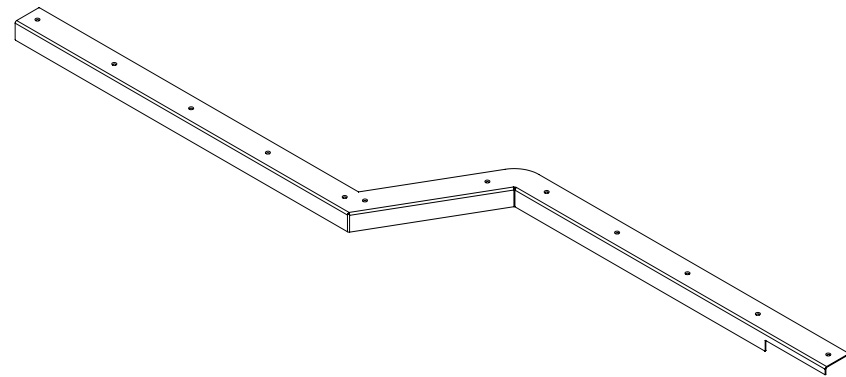
FLOOR SUPPORT EXTENSION
QTY - 1



FLOORING EXTENSION
QTY - 1

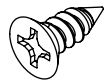


SUPPORT BRACKET
QTY - 1



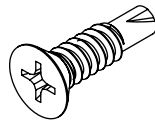
STEP EXTENSION TRIM
QTY - 1

HARDWARE



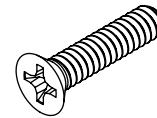
#6 X 0.375 FLAT HEAD UNDERCUT
PHILLIPS DRIVE SCREW

QTY - 12



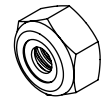
#8 X 0.625 FLAT HEAD
DRILLING SCREW

QTY - 7



6-32 X 0.625 FLAT HEAD
PHILLIPS DRIVE SCREW

QTY - 8



6-32 NYLON INSERT
LOCKNUT

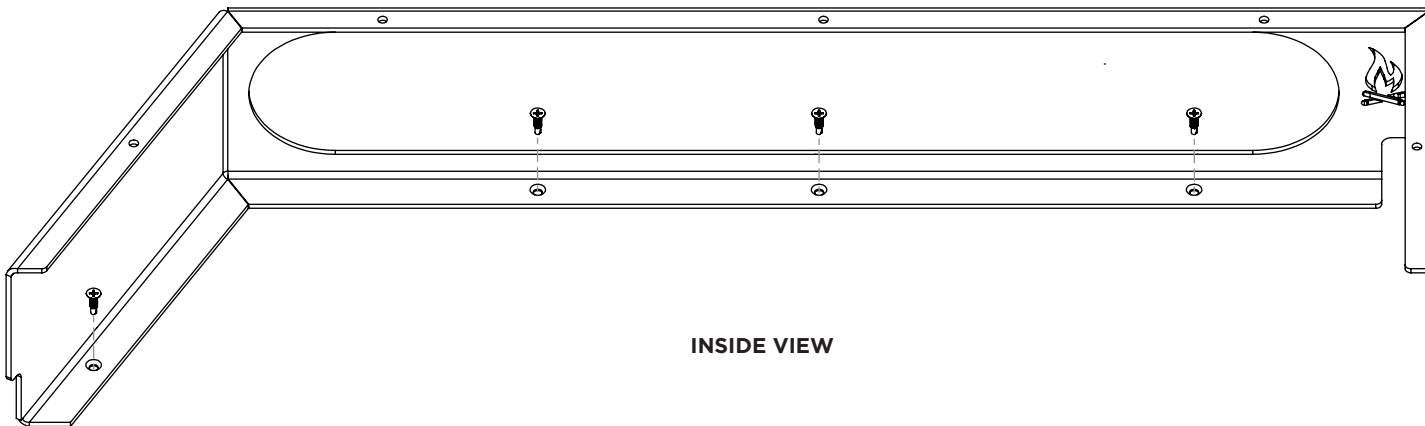
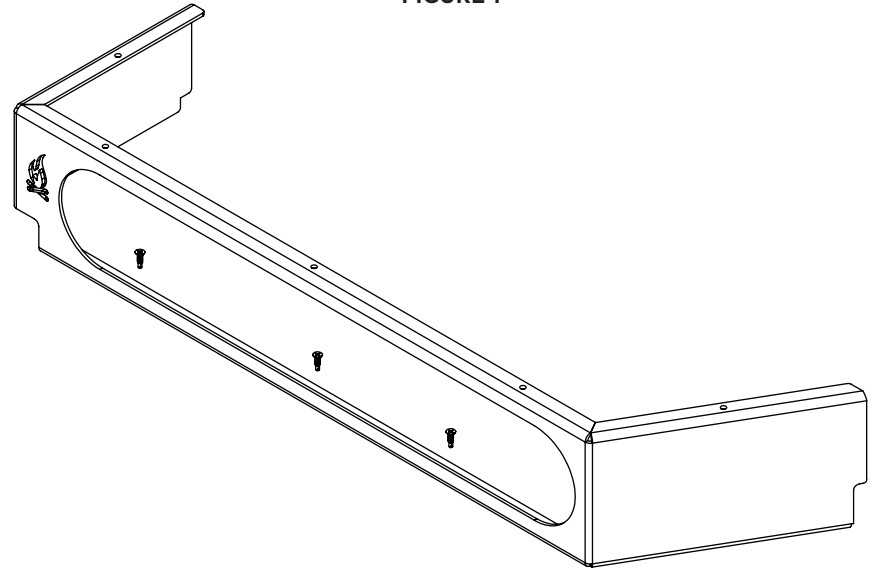
QTY - 8

LET'S GET STARTED!

1. FIRST, GRAB THE **FLOOR SUPPORT EXTENSION** AND POSITION IT IN THE LEFT CORNER OF YOUR STEP. IT'S A GOOD IDEA TO DRY FIT THE **FLOORING EXTENSION** PIECE TO ENSURE YOU'RE POSITIONED CORRECTLY, AS WELL AS THE TRIM PIECE. THEN, SCREW THE **FLOOR SUPPORT EXTENSION** DOWN TO YOUR STOCK PLASTIC STEP USING 4 OF THE **#8 X 0.625 FLAT HEAD DRILLING SCREWS** IN THE 4 PRE-DRILLED HOLES ALREADY LOCATED FOR YOU (SHOWN IN THE **INSIDE VIEW** BELOW)

NOTE- ALIGNMENT OF ALL THE PRE-DRILLED HOLES IS CRITICAL FOR A HEADACHE FREE INSTALLATION. DON'T BE AFRAID TO DRY FIT MULTIPLE TIMES THROUGHOUT THE PROCESS TO ENSURE EVERYTHING IS ALIGNED PROPERLY.

FIGURE 1



2. ONCE YOU HAVE THE **SUPPORT EXTENSION** SECURED; GRAB THE **WOOD FLOORING EXTENSION** ALONG WITH THE **SUPPORT BRACKET** AND BOLT THEM TOGETHER WITH 3 OF THE **6-32 X 0.625 FLAT HEAD PHILLIPS DRIVE SCREWS** AND **6-32 NYLON INSERT LOCKNUTS**. SNUG THESE DOWN AND PROCEED TO NEXT STEP.

NOTE- IF YOU HAVE REPLACED YOUR FACTORY FLOOR (OR DIDN'T HAVE ONE) WITH A NEW SUBFLOOR WE SUGGEST YOU USE THE PROVIDED FLOORING EXTENSION AS A TEMPLATE TO CUT A NEW PIECE FOR THE SAME FLOORING MATERIAL. IF YOU USE A PLYWOOD THICKER THAN 9MM OR 3/8" YOU WILL NEED TO PURCHASE LONGER 6-32 FLAT HEAD SCREWS.

DETAIL A

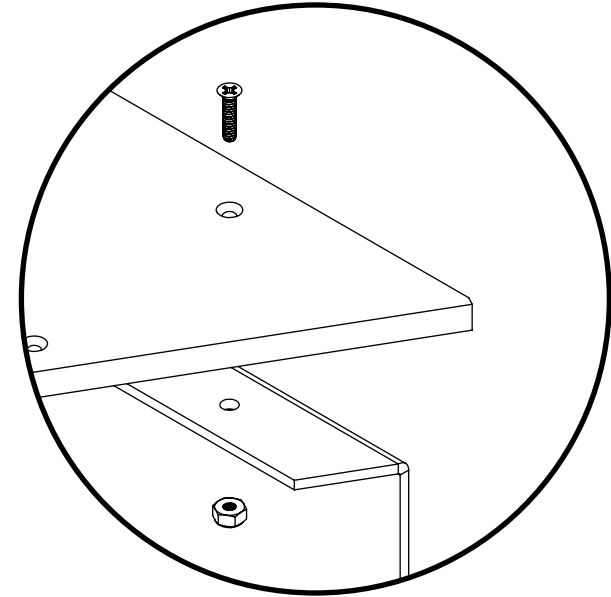


FIGURE 2

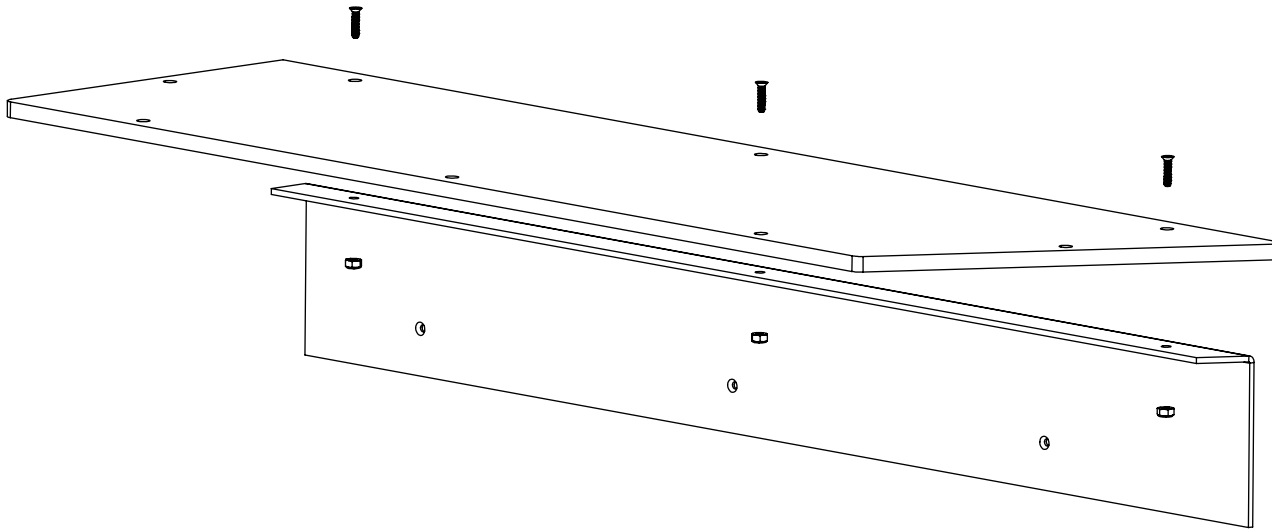
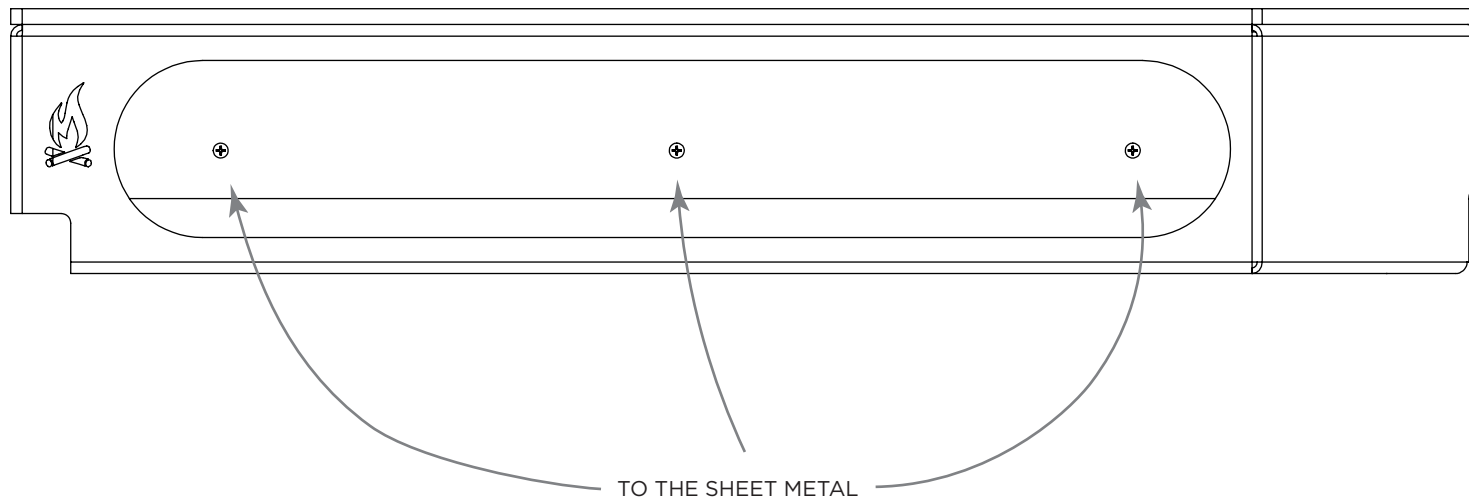
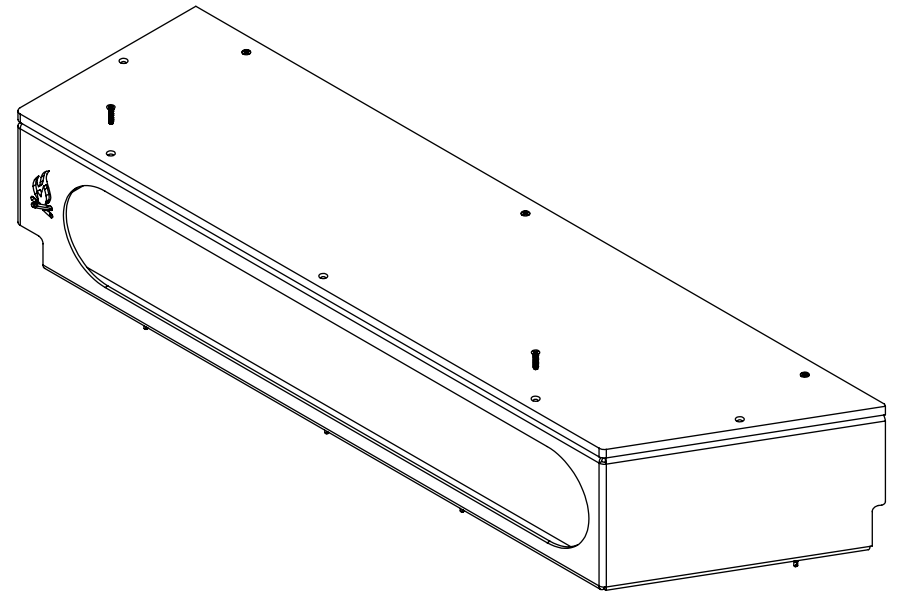
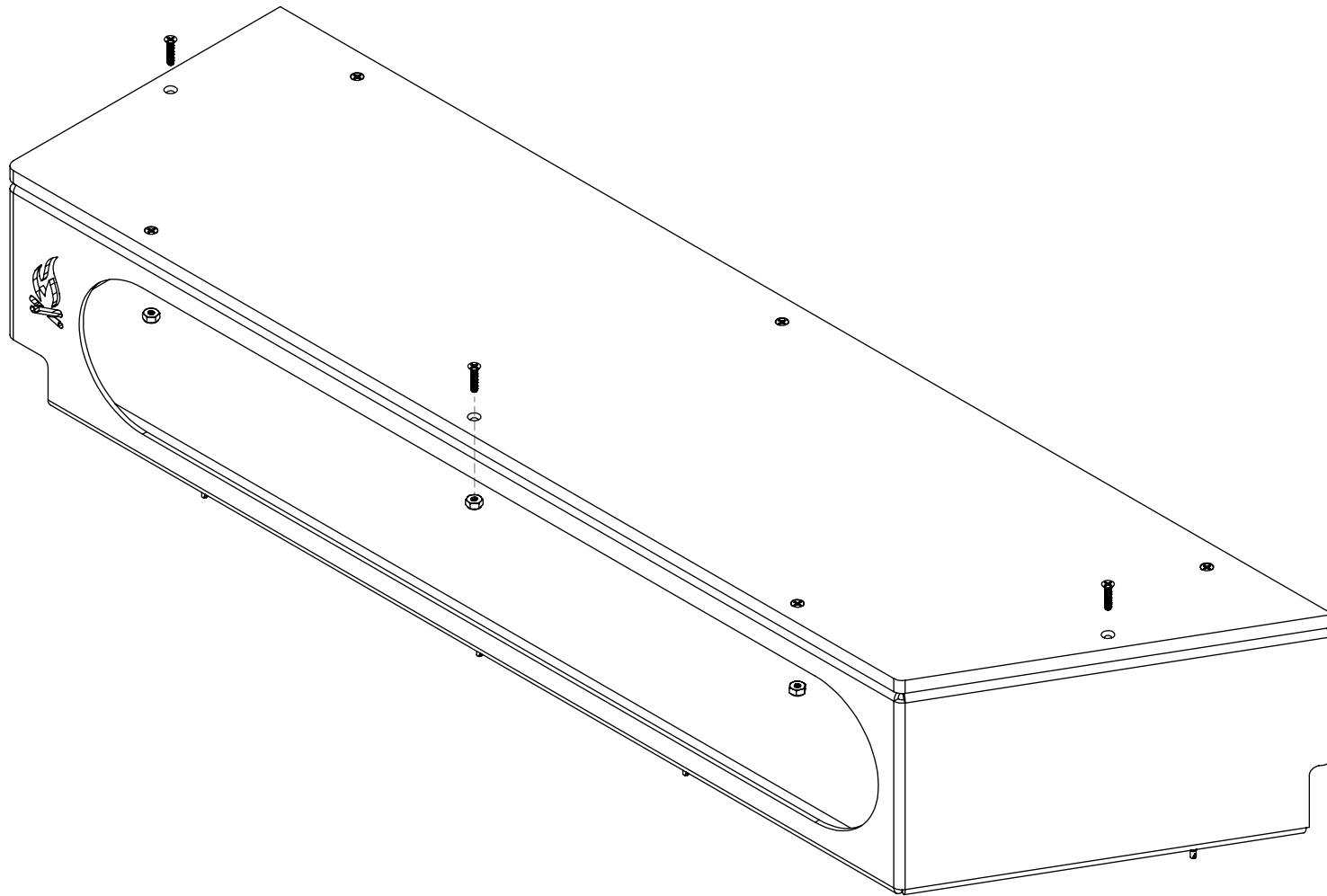


FIGURE 3

3. TAKE THE **FLOORING EXTENSION** THAT YOU JUST ASSEMBLED AND LAY IT DOWN ON TOP OF THE **FLOOR SUPPORT EXTENSION**. INSERT 2 OF THE **6-32 X 0.625 FLAT HEAD PHILLIPS DRIVE SCREWS** IN THE LOCATIONS INDICATED ON THE RIGHT IN **FIGURE 3** TO ENSURE ALIGNMENT OF THE PRE-DRILLED HOLES.
4. NEXT, ENSURE THAT THE FLOORING EXTENSION SITS FLUSH WITH THE FLOOR OF YOUR VAN (YOU MAY NEED TO HOLD IT UP) AND, USING YOUR IMPACT DRIVER, SCREW 3 **#8 X 0.625 FLAT HEAD DRILLING SCREWS** IN THE 3 HOLES OF THE SUPPORT BRACKET INTO THE SHEET METAL OF YOUR STEP.

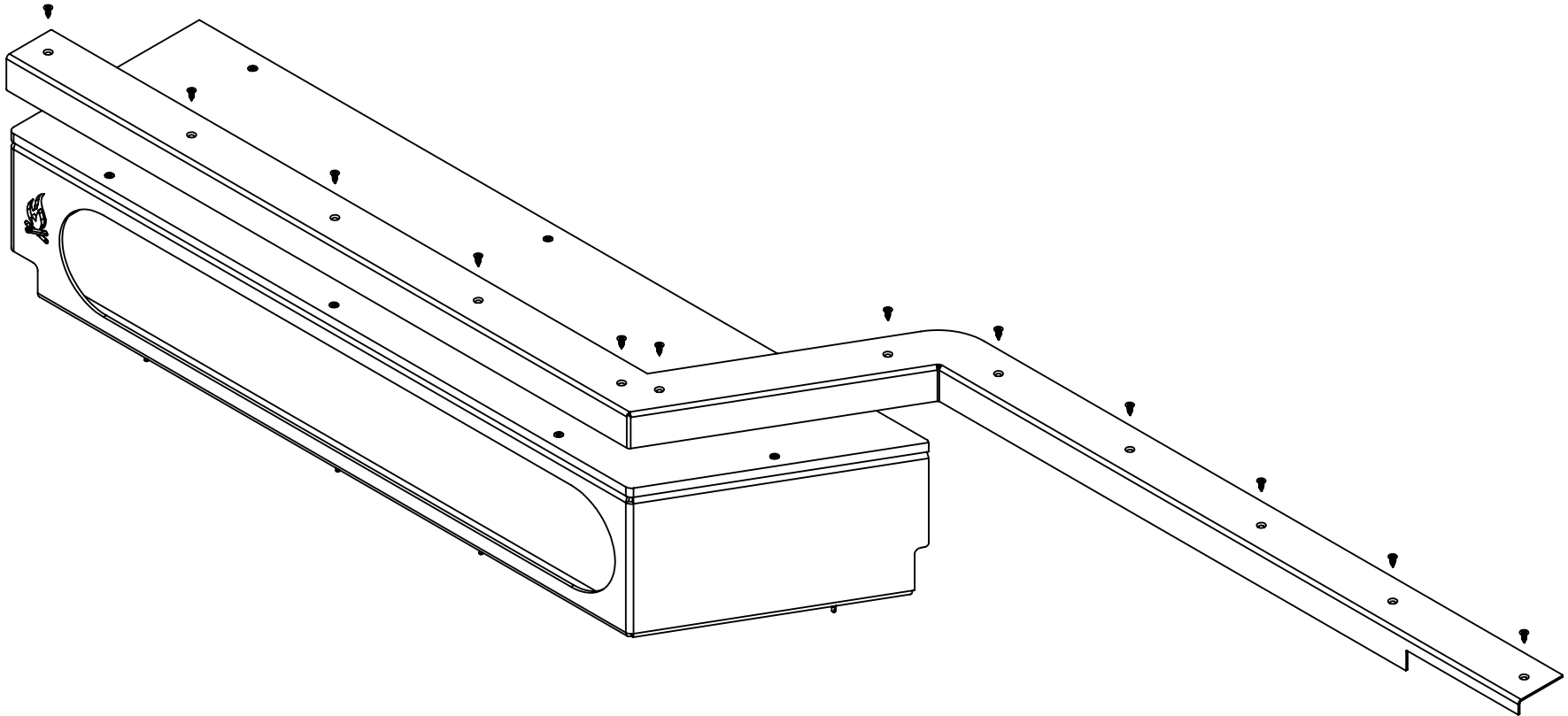


5. AFTER SECURING THE SUPPORT BRACKET TO THE SHEET METAL OF THE VAN; YOU CAN NOW FINISH SECURING THE **FLOORING EXTENSION** TO THE **FLOOR SUPPORT EXTENSION** USING THE REMAINDER OF THE **6-32 X 0.625 FLAT HEAD PHILLIPS DRIVE SCREWS** AND **6-32 NYLON INSERT LOCKNUTS**. SNUG THESE DOWN TIGHT TO PREVENT SQUEAKS IN THE FLOOR.



6. LAST STEP IS TO SCREW DOWN THE TRIM PIECE USING THE **#6 X 0.375 FLAT HEAD UNDERCUT PHILLIPS DRIVE SCREWS**. MAKE SURE YOUR TRIM PIECE IS BUTTED UP TIGHT TO THE EXTENSION ON ALL FACES, AND FITS APPROPRIATELY WITH THE TRIM AND BODY PIECES OF YOUR VAN BEFORE YOU BEGIN SCREWING IT DOWN. LEAVING A HAND PRESSED ON IT TO HOLD IN PLACE WHILE SCREWING IT DOWN HELPS.

NOTE- IF YOU'VE INSTALLED ADDITIONAL FLOORING ON TOP OF THE STOCK FLOORING OF YOUR VAN, WE RECOMMEND PURCHASING LONGER SCREWS TO SECURE THE TRIM PIECE DOWN. HOLES ARE SPEC'D FOR A #6 FLAT HEAD SCREW (STAINLESS PREFERRED)



GET OUT AND EXPLORE!

LEAVE US A REVIEW

Happy with your new FVC product? We would love to hear (and see) from you! Head to the product page and click "Leave Review." Add a short review and upload a few photos to be showcased on the product page.

SHARE YOUR PHOTOS WITH US

We love seeing how our customers use their FVC products and following along with your adventures. Tag us in your photos with @flatlinevanco or send them to us via email. We love posting customer pictures in our feed!

CUSTOMER SUPPORT

If you are having any issues with your product, please reach out, and we will make it right. FVC is a company of van and outdoor enthusiasts that design and use our own products, so we want you to be as stoked on your new parts as we are!



@flatlinevanco



facebook.com/flatlinevanco



youtube.com/c/flatlinevanco



support@flatlinevanco.com



thanks!