



Installation Guide



Sprinter Side Ladder SP0201B

All Flatline Van Co products must be properly assembled and secured before attaching to your vehicle. Improper attachment could result in an automobile accident, and could cause serious bodily injury or death to you or to others involved. You are responsible for assembling and securing flatline van co products to your vehicle, checking the mounting points and attachments prior to use, and regularly inspecting the products for wear and or damage. We always recommend you use a professional to install any aftermarket accessories to your vehicle. If you have no mechanical experience and are not thoroughly familiar with the installation procedures, you must have the product installed by a professional installer or other qualified persons. The responsibility is yours and must be taken seriously for everyone's safety.

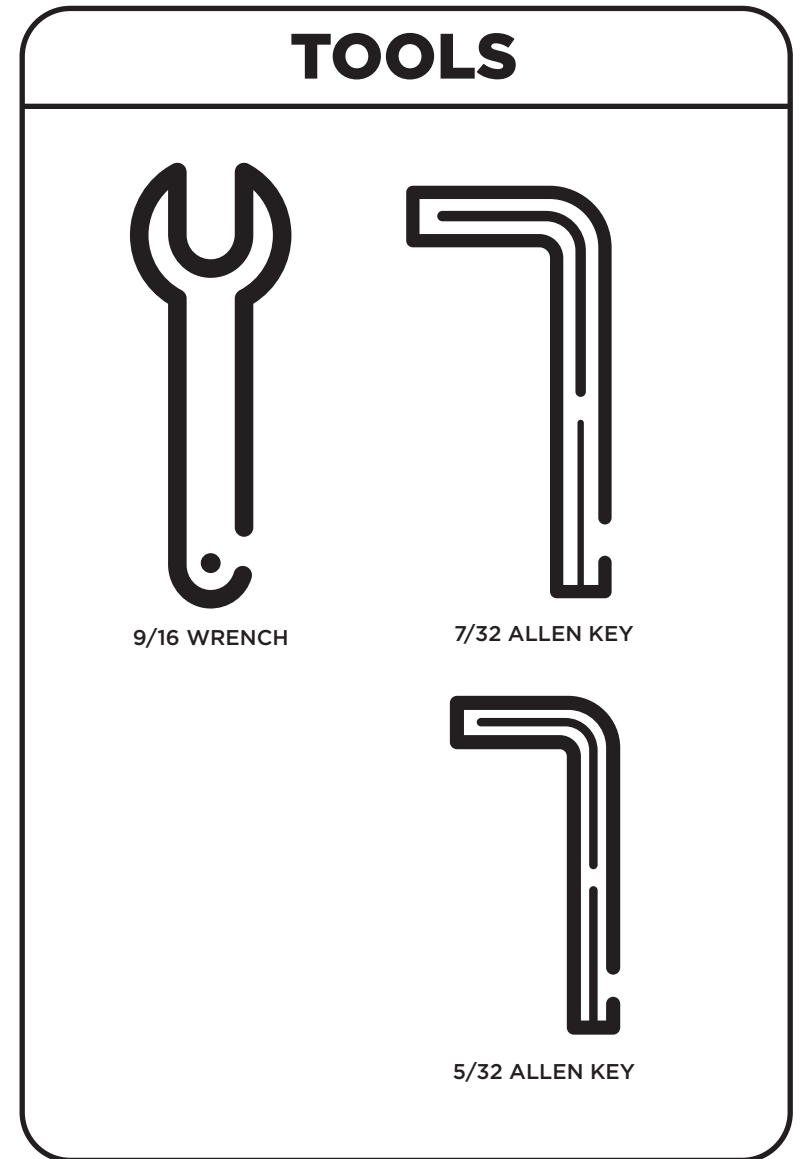


thanks.

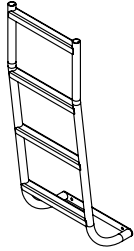
THANK YOU!

ARE YOU EXCITED ABOUT YOUR NEW SPRINTER SIDE LADDER? HERE ARE A FEW THINGS TO DO BEFORE BEGINNING THE INSTALLATION PROCESS--

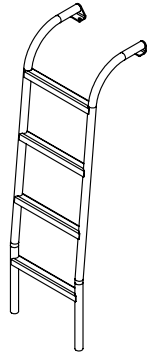
- PLEASE INSPECT THE PRODUCT TO ENSURE THERE WAS NO DAMAGE INCURRED DURING SHIPPING.
- IF THERE IS DAMAGE TO REPORT, PLEASE CONTACT OUR CUSTOMER SERVICE DEPARTMENT AS SOON AS POSSIBLE.
- NEXT, USING THE "PACKAGE CONTENTS" PAGE, CHECK INVENTORY AND FAMILIARIZE YOURSELF WITH THE PARTS AND HARDWARE.
- GATHER ALL TOOLS REQUIRED FOR INSTALL.
 - 9/16 BOX WRENCH OR SOCKET
 - 7/32 HEX KEY ALLEN WRENCH
 - POWER DRILL
 - 1/8" DRILL BIT
- HAVING A SECOND PERSON TO HELP OUT IS RECOMMENDED.



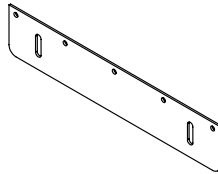
PACKAGE CONTENTS



LADDER BOTTOM
QTY-1



LADDER TOP
QTY-1



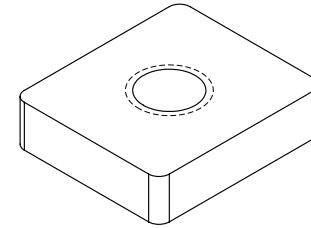
MOUNT PLATE
QTY-1



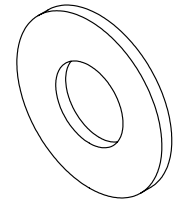
SUPPORT BRACKET
QTY-1



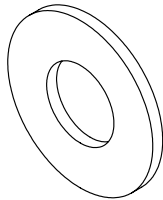
COUPLER
QTY-2



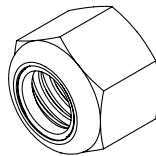
RAIL NUT
QTY-2



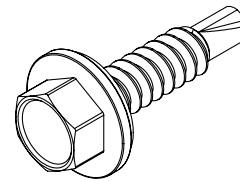
3/8 FLAT WASHER
QTY-4



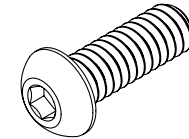
3/8 BELLEVILLE LOCK
WASHER
QTY-2



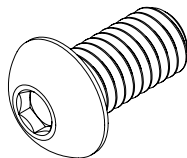
3/8-16 NYLOCK
QTY-3



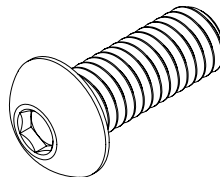
1/4 SELF DRILLING
SCREW
QTY-5



1/4-20 BUTTON HEAD SCREW
QTY-8



3/8-16 X .75" BUTTON HEAD
SCREW
QTY-2



3/8-16 X 1" BUTTON HEAD
SCREW
QTY-3



STICKER PACK
QTY-1

FVCO
Installation Guide



Low Pro Roof Rack 144
SP0101B

INSTALLATION GUIDE
QTY-1

LET'S GET STARTED!

- 1. PLACE THE LADDER HALVES FRONT SIDE DOWN, INSERT THE COUPLERS INTO ONE HALF (SEE **FIGURE 1**), AND TIGHTEN DOWN USING THE 1/4-20 SCREWS.
- 2. SLIDE THE OTHER LADDER HALF ONTO THE COUPLERS AND TIGHTEN DOWN.
NOTE- IF DESIRED YOU CAN USE BLUE LOCTITE ON THE SCREWS.

FIGURE 2

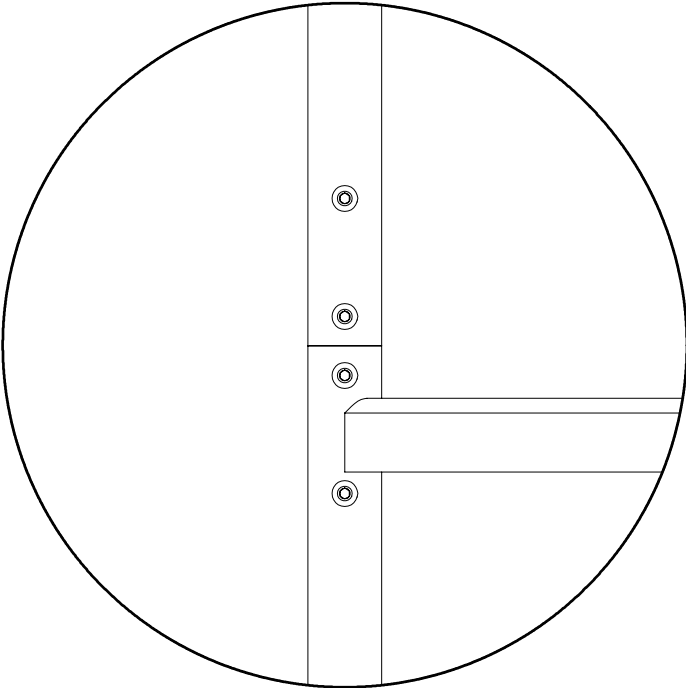
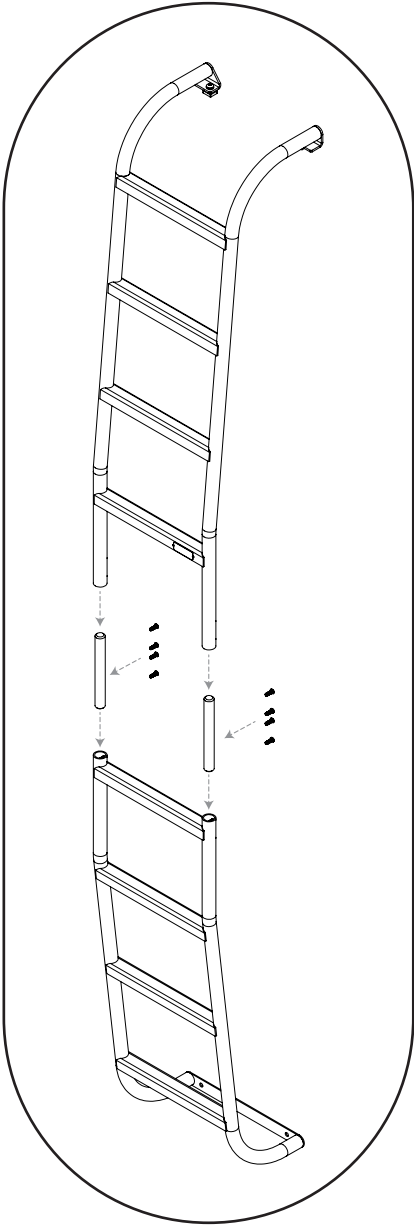


FIGURE 1



3. NEXT, SLIDE THE TWO (2) RAIL NUTS INTO THE ROOF RAIL ON YOUR VAN.
NOTE- IF YOU'VE ALREADY INSTALLED A ROOF RACK, THIS MAY BE TIME CONSUMING.

4. NOW POSITION THE LADDER ON THE VAN, HANGING IT ON THE ROOF RAIL. LOOSELY SCREW THE TOP OF THE LADDER DOWN TO THE ROOF RAIL USING THE 3/8-16 X .75" SCREWS AND THE 3/8 BELLEVILLE LOCK WASHERS JUST ENOUGH THAT IT IS SNUG (SEE **FIGURE 3**)

NOTE- WE LIKE TO PLACE THE LADDER AS CLOSE TO THE REAR WHEEL WELL AS WE CAN. SEE IMAGE BELOW.

RAIL NUT

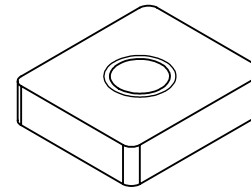
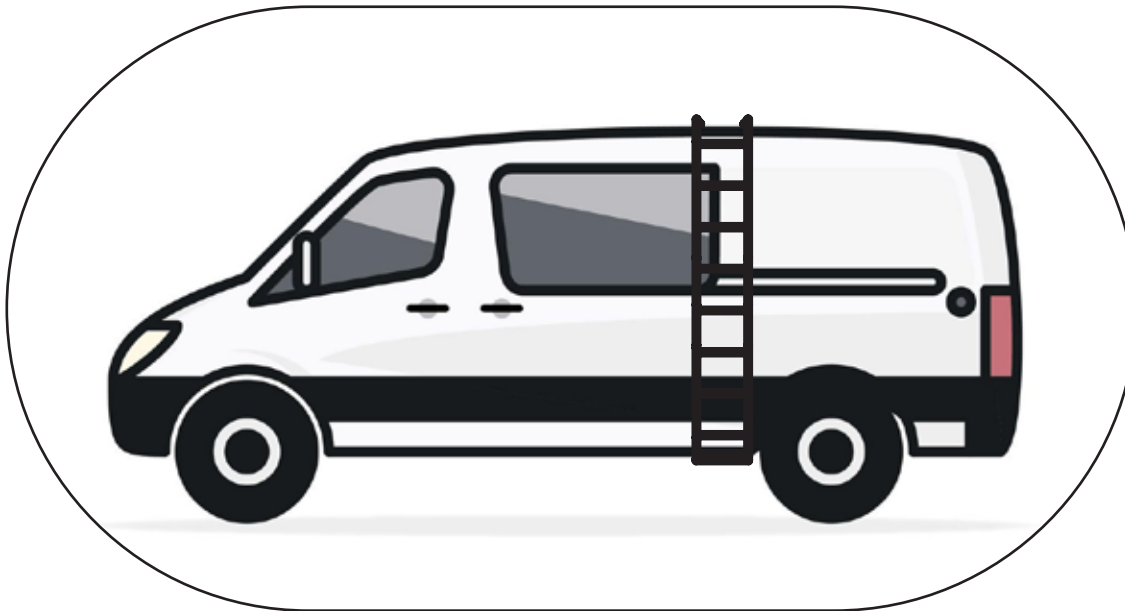
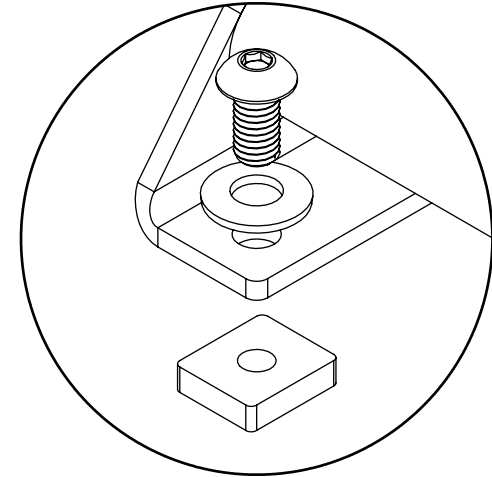


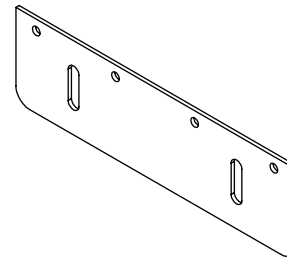
FIGURE 3



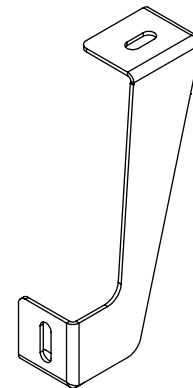
5. TAKE THE MOUNT PLATE AND THE SUPPORT BRACKET (SEE RIGHT) AND LOOSELY ATTACH THEM TO THE BOTTOM OF THE LADDER USING THE 3/8-16 X 1" SCREWS, 3/8 FLAT WASHERS, AND 3/8-16 NYLOCK NUTS. SEE REF PHOTO 1 & 2
- NOTE-** MAKE SURE THAT THE LADDER IS STRAIGHT UP AND DOWN.

6. LOCATE THE SUPPORT BRACKET ON THE CHASSIS BEAM SHOWN IN REF PHOTO 2 & 3 AND USE IT TO MARK THE THRU HOLE TO BE DRILLED. ONCE MARKED, SWING THE BRACKET OUT OF THE WAY SO YOU CAN ACCESS WITH POWER DRILL. AFTER DRILLING, SWING THE BRACKET BACK IN PLACE AND LOOSELY ATTACH USING THE REMAINING 3/8-16 X 1" SCREW, 3/8 FLAT WASHERS, AND 3/8-16 NYLOCK NUT.
- NOTE-** LEAVE THIS SUPPORT BRACKET LOOSE AS YOU FIT EVERY THING IN PLACE, OR YOU'LL LIKELY NEED TO LOOSEN IT AGAIN.

MOUNT PLATE



SUPPORT BRACKET



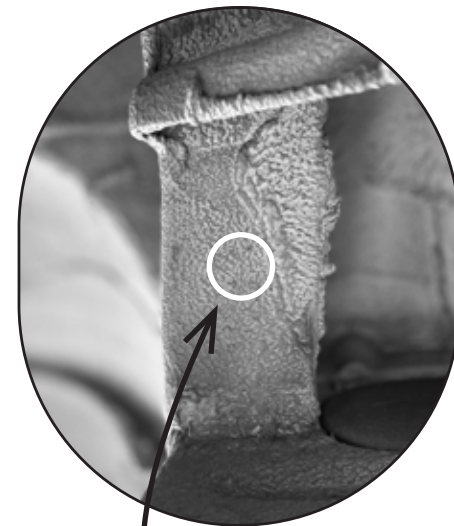
REF PHOTO 1



REF PHOTO 2



REF PHOTO 3



DRILL 1/2" THRU HOLE HERE

GET OUT AND EXPLORE!

LEAVE US A REVIEW

Happy with your new FVC product? We would love to hear (and see) from you! Head to the product page and click "Leave Review." Add a short review and upload a few photos to be showcased on the product page.

SHARE YOUR PHOTOS WITH US

We love seeing how our customers use their FVC products and following along with your adventures. Tag us in your photos with @flatlinevanco or send them to us via email. We love posting customer pictures in our feed!

CUSTOMER SUPPORT

If you are having any issues with your product, please reach out, and we will make it right. FVC is a company of van and outdoor enthusiasts that design and use our own products, so we want you to be as stoked on your new parts as we are!



@flatlinevanco



facebook.com/flatlinevanco



youtube.com/c/flatlinevanco



support@flatlinevanco.com



thanks!