



## Installation Guide



## Low Pro F80 Kit SP0109B

All Flatline Van Co products must be properly assembled and secured before attaching to your vehicle. Improper attachment could result in an automobile accident, and could cause serious bodily injury or death to you or to others involved. You are responsible for assembling and securing flatline van co products to your vehicle, checking the mounting points and attachments prior to use, and regularly inspecting the products for wear and or damage. We always recommend you use a professional to install any aftermarket accessories to your vehicle. If you have no mechanical experience and are not thoroughly familiar with the installation procedures, you must have the product installed by a professional installer or other qualified persons. The responsibility is yours and must be taken seriously for everyone's safety.



thanks.

# THANK YOU!

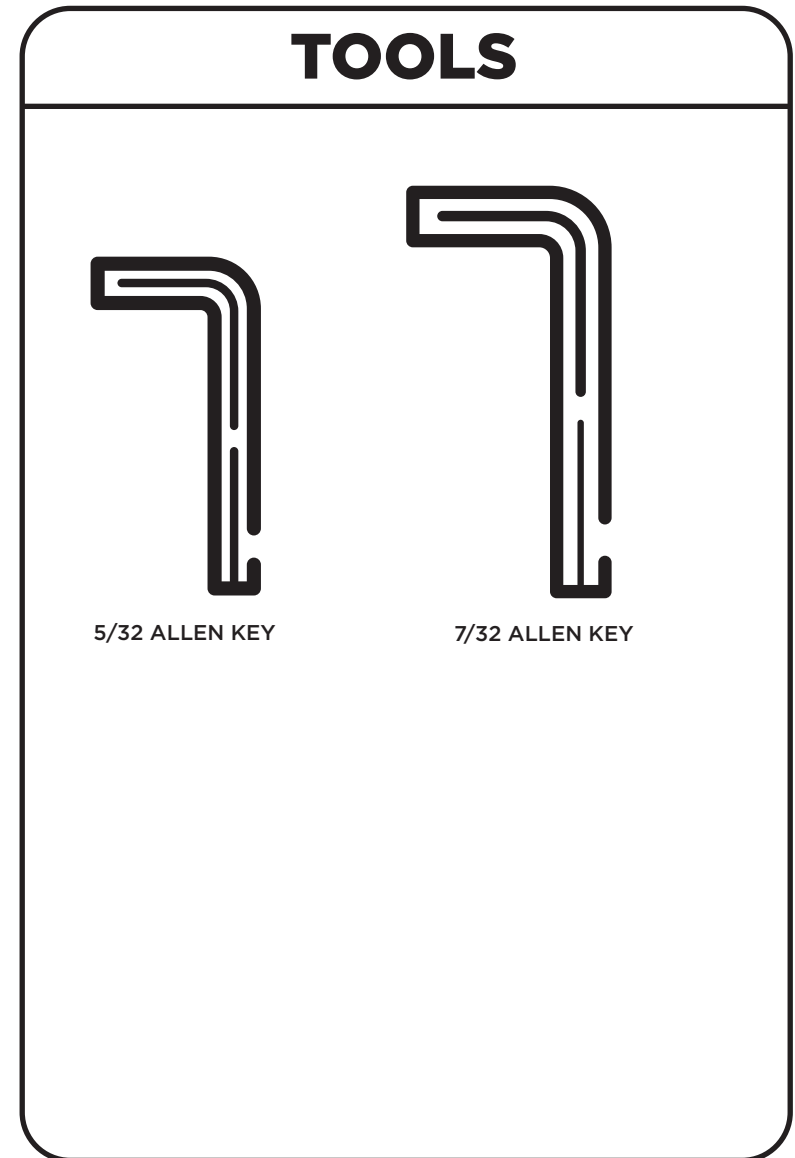
ARE YOU EXCITED ABOUT YOUR NEW LOW PRO ROOF RACK AND F80 AWNING KIT? HERE ARE A FEW THINGS TO DO BEFORE BEGINNING THE INSTALLATION PROCESS--

- PLEASE INSPECT THE PRODUCT TO ENSURE THERE WAS NO DAMAGE INCURRED DURING SHIPPING.
- IF THERE IS DAMAGE TO REPORT, PLEASE CONTACT OUR CUSTOMER SERVICE DEPARTMENT AS SOON AS POSSIBLE.
- NEXT, USING THE "PACKAGE CONTENTS" PAGE, CHECK INVENTORY AND FAMILIARIZE YOURSELF WITH THE PARTS AND HARDWARE.
- GATHER ALL TOOLS REQUIRED FOR INSTALL.
  - 5/32 HEX KEY ALLEN WRENCH
  - 7/32 HEX KEY ALLEN WRENCH

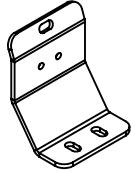
**NOTE-**

YOU WILL NEED TO REUSE HARDWARE FROM YOUR LOW PRO ROOF RACK TO INSTALL THE F80 KIT. IF YOU NEED ADDITIONAL HARDWARE PLEASE REACH OUT TO OUR CUSTOMER SERVICE TEAM.

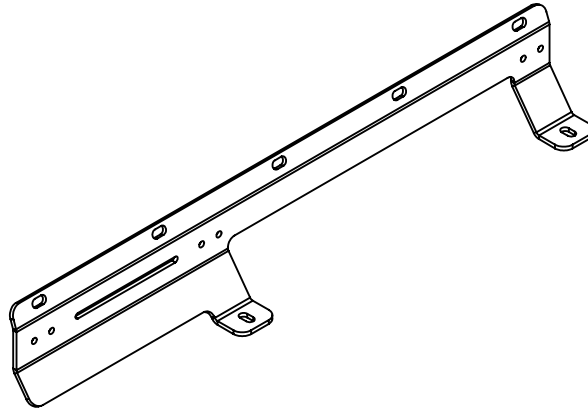
THIS INSTALLATION GUIDE DOES NOT COVER THE INSTALL PROCESS OF YOUR FIAMMA F80 AWNING. PLEASE REFER TO THE INSTALLATION GUIDE PROVIDED WITH YOUR AWNING FOR INFORMATION. THE FVC F80 AWNING KIT DOES NOT ALTER OR CHANGE THE PROCESS DEFINED BY FIAMMA.



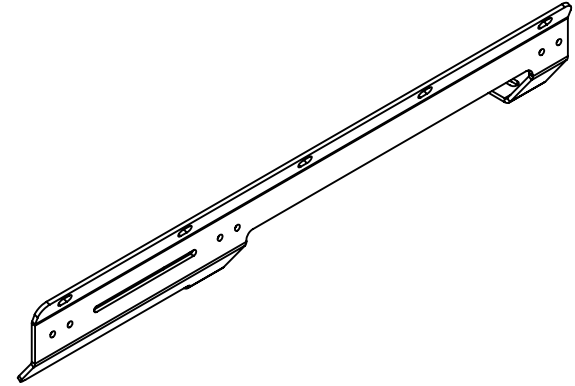
# PACKAGE CONTENTS



CENTER BRACKET  
QTY-6



REAR BRACKET  
QTY-1



FRONT BRACKET  
QTY-1



STICKER PACK  
QTY-1



INSTALLATION GUIDE  
QTY-1

# LET'S GET STARTED!

1. IF YOU ARE INSTALLING THIS KIT AT THE SAME TIME AS YOUR LOW PRO ROOF RACK, SLIDE THE APPROPRIATE AMOUNT OF RAIL NUTS INTO THE PASSENGER SIDE ROOF TRACK TO ACCOMMODATE YOUR F80 BRACKETS.

IF YOU ARE INSTALLING THE F80 WITH A LOW PRO THAT HAS ALREADY BEEN FITTED TO YOUR VAN, YOU'LL RE-USE EXISTING RAIL NUTS IN THE TRACK. IF YOU HAVE TOO MANY OR TOO FEW; YOU'LL NEED TO ADD OR REMOVE AS NECESSARY. WE SELL PACKS OF ADDITIONAL RAIL NUTS IF YOU NEED MORE.

2. NEXT, GRAB YOUR F80 BRACKETS AND START PLACING THEM IN POSITION ON THE ROOF TRACK. YOU'LL WANT TO ORIENT THEM IN LINE WITH WHERE YOU WANT YOUR CROSSBARS TO BE LOCATED (OR WHERE YOUR EXISTING CROSSBARS OR LOCATED) IT IS IMPORTANT THAT THE FRONT AND REAR BRACKETS ALIGN WITH THE RESPECTIVE ENDS OF YOUR LOW PRO RACK.

**NOTE-** BELOW IS AN EXAMPLE LAYOUT OF F80 BRACKETS WITH THE LOW PRO ROOF RACK. NOTE THAT WE ARE ONLY SHOWING TWO (2) OF THE CENTER BRACKETS INSTALLED; YOU CAN USE AS MANY AS NEEDED IN ANY POSITION AS LONG AS THEY DON'T INTERFERE WITH YOUR FIAMMA MOUNTING BRACKETS.

RAIL NUT

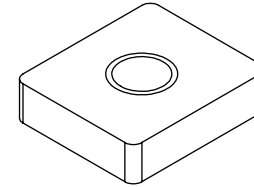
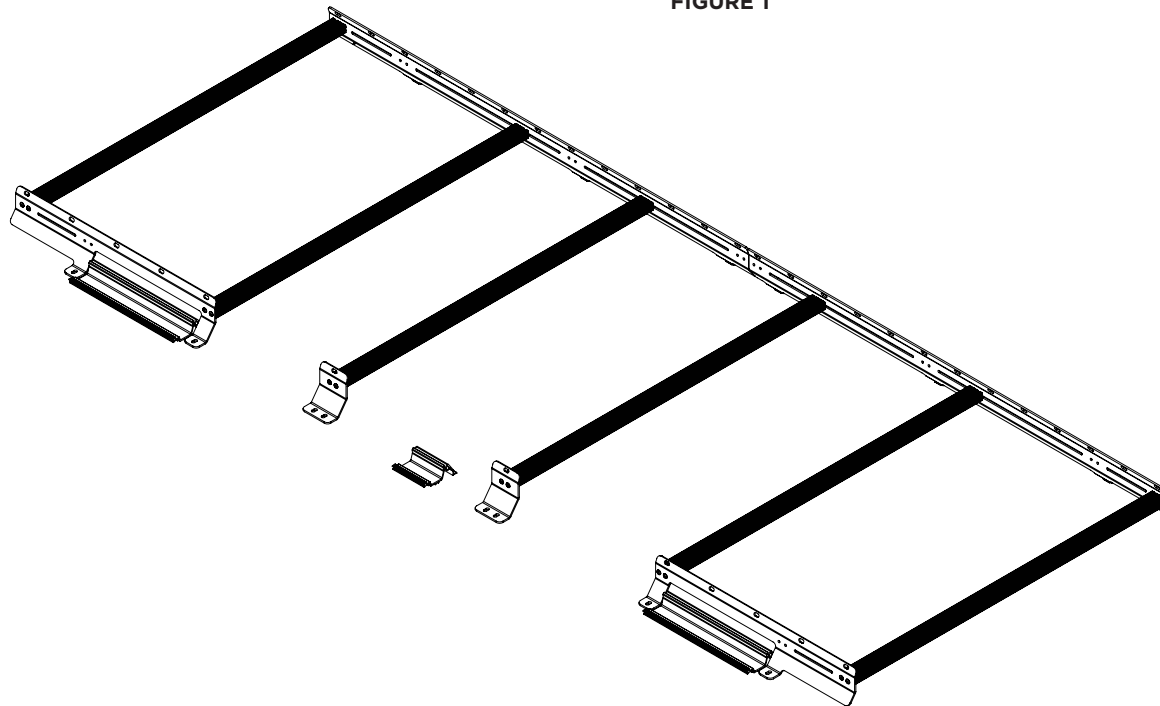


FIGURE 1



3. NOW YOU CAN START AFFIXING THE BRACKETS TO THE ROOF TRACK AND CROSSBARS. TIGHTEN THE BOLTS TO THE CROSSBARS FIRST, AND THEN TIGHTEN DOWN TO THE ROOF TRACK.

4. ONCE YOU'VE TIGHTENED THE BRACKETS DOWN YOU CAN PLACE YOUR FIAMMA MOUNTING BRACKETS IN THEIR APPROPRIATE POSITION. SEE **FIGURE 2 & 3** FOR DETAIL. THIS IS THE LAST STEP, PLEASE REFER TO THE FIAMMA GUIDE TO COMPLETE INSTALLATION OF YOUR AWNING.

FIGURE 2

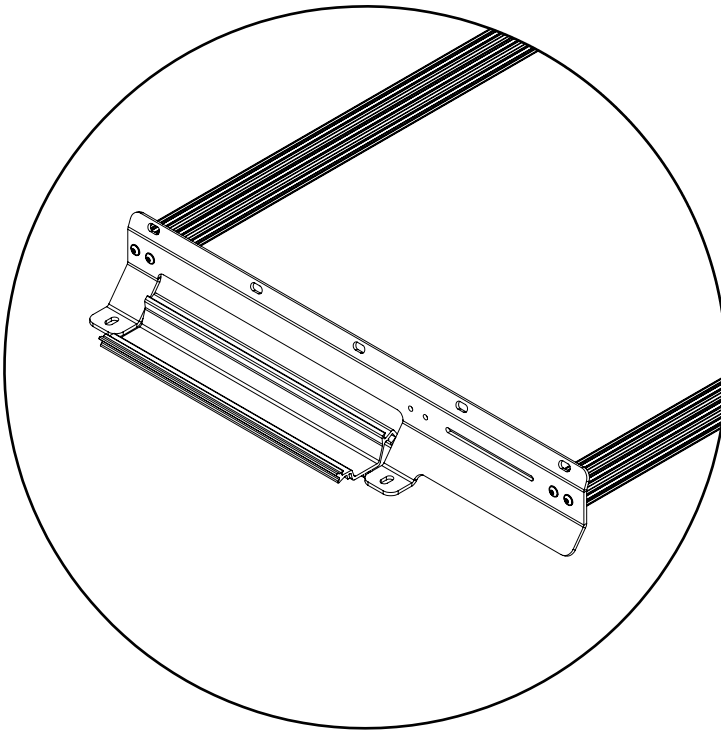
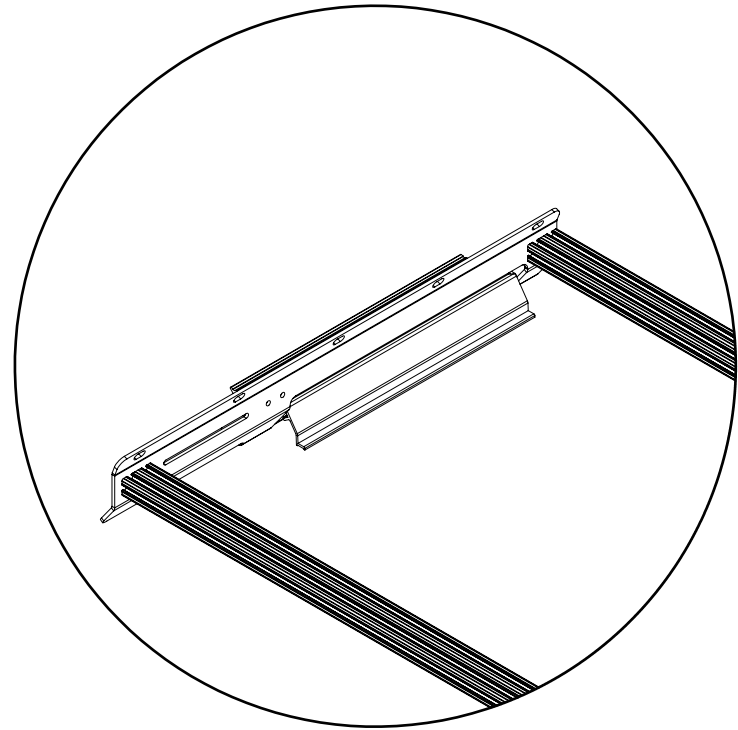


FIGURE 3



# GET OUT AND EXPLORE!

## LEAVE US A REVIEW

Happy with your new FVC product? We would love to hear (and see) from you! Head to the product page and click "Leave Review." Add a short review and upload a few photos to be showcased on the product page.

## SHARE YOUR PHOTOS WITH US

We love seeing how our customers use their FVC products and following along with your adventures. Tag us in your photos with @flatlinevanco or send them to us via email. We love posting customer pictures in our feed!

## CUSTOMER SUPPORT

If you are having any issues with your product, please reach out, and we will make it right. FVC is a company of van and outdoor enthusiasts that design and use our own products, so we want you to be as stoked on your new parts as we are!



**@flatlinevanco**



**facebook.com/flatlinevanco**



**youtube.com/c/flatlinevanco**



**support@flatlinevanco.com**



**thanks!**