



INSTALLATION GUIDE

SPRINTER VAN LOW PRO ROOF RACK F80 KIT SP0109B

TOOLS REQUIRED (NOT INCLUDED)

- + 7/32" ALLEN WRENCH
- + 5/32" ALLEN WRENCH
- + 3/16" ALLEN WRENCH

INSTALL INFO

TIME TO INSTALL THIS PRODUCT: 1 HOUR

Additional help is suggested for a few of the install steps.

BEFORE YOU START

Please inspect the product and packaging upon delivery to ensure there are no issues and that all parts and hardware are accounted for.

Contact us ASAP if anything is missing at:
support@flatlinevanco.com

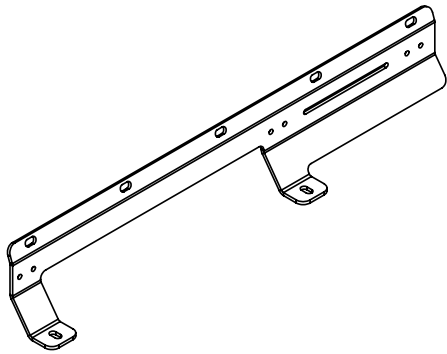


BEFORE YOU START

All Flatline Van Co products must be properly assembled and secured before attaching to your vehicle. Improper attachment could result in an automobile accident, and could cause serious bodily injury or death to you or to others involved. You are responsible for assembling and securing Flatline Van Co products to your vehicle, checking the mounting points and attachments prior to use, and regularly inspecting the products for wear and or damage. We always recommend you use a professional to install any aftermarket accessories to your vehicle. If you have no mechanical experience and are not thoroughly familiar with the installation procedures, you must have the product installed by a professional installer or other qualified persons. The responsibility is yours and must be taken seriously for everyone's safety.

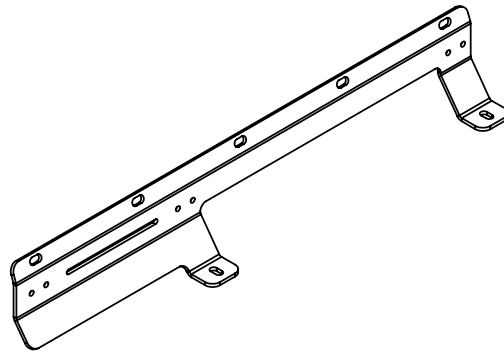


PACKAGE CONTENTS



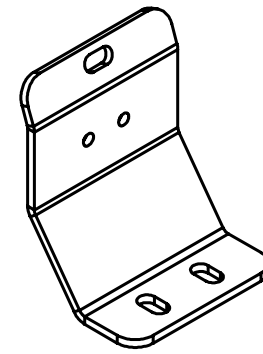
PASSENGER FRONT SIDE RAIL

QTY: 1



PASSENGER REAR SIDE RAIL

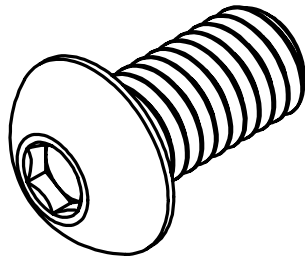
QTY: 1



CENTER BRACKET

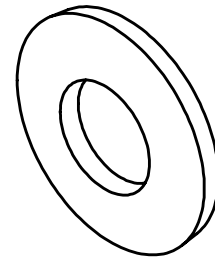
QTY: 6

HARDWARE



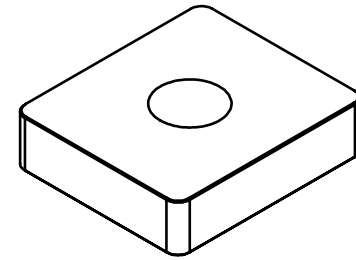
3/8-16 X 0.75 BUTTON
HEAD HEX DRIVE
SCREW

QTY: 10



3/8 SCREW BELLEVILLE
SPRING LOCK
WASHER

QTY: 10



SPRINTER RAIL NUT

QTY: 10

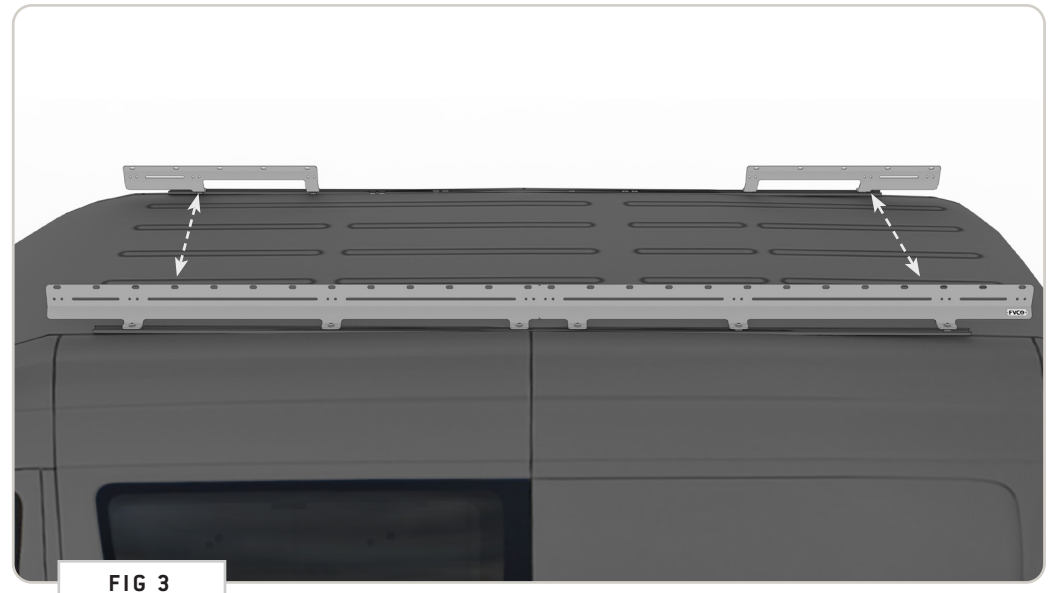
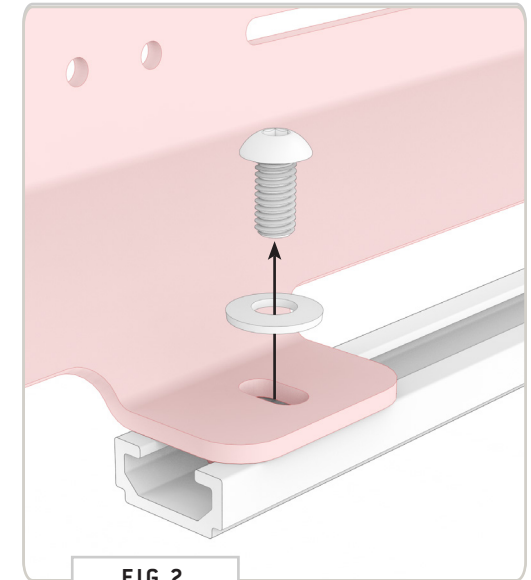
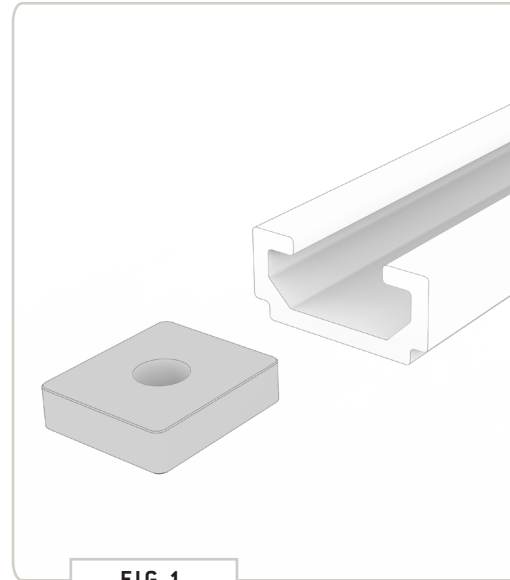
STEP | 01 LAYOUT AND INSTALL PREP

1.1 Install Prep: If you are installing this kit at the same time as your **Low Pro Roof Rack**, slide the appropriate amount of **Rail Nuts** into the passenger side roof track to accommodate your **F80 Brackets** (**FIG 1**). If you are installing the F80 with a Low Pro that has already been fitted to your van, you'll need to remove the **Passenger Side Rails** (**FIG 2**) and re-use existing **Rail Nuts** in the track. If you have too many or too few; you'll need to add or remove as necessary. We sell packs of additional **Rail Nuts** if you need more.

1.2 Layout Front and Rear F80 Brackets: Next, find your **Front And Rear F80 Brackets** and align them with the corresponding rails of the **Driver's Side** (**FIG 3**). Loosely attach to the roof rails using the **3/8-16" Button Head Screws & 3/8" Lock Washers**.

TOOLS REQUIRED FOR THIS STEP:

- + 7/32" ALLEN WRENCH
- + 5/32" ALLEN WRENCH
- + 3/16" ALLEN WRENCH



TOOLS REQUIRED FOR THIS STEP: + 7/32" ALLEN WRENCH

STEP | 01 LAYOUT AND INSTALL PREP

1.3 Layout Center F80 Brackets: Grab your **Center Brackets** and space them out in between the **Front And Rear Brackets**. **FIG 4 and 5** depict an example layout of **F80 Brackets** with the **Low Pro Roof Rack**. We show two center brackets installed, but use as many as needed as long as they don't interfere with your **Fiamma Mounting Brackets**. Loosely attach to the roof rails using the **3/8-16" Button Head Screws & 3/8" Lock Washers**.

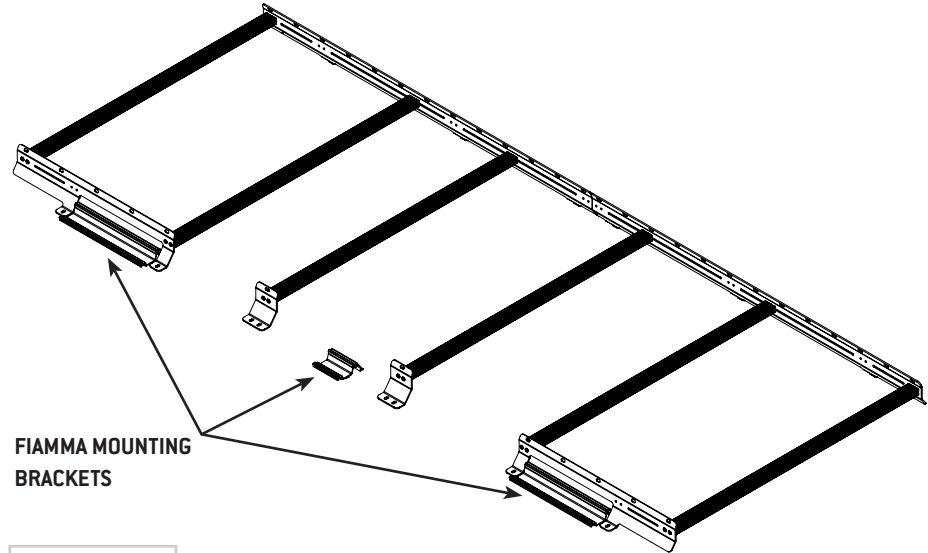


FIG 4

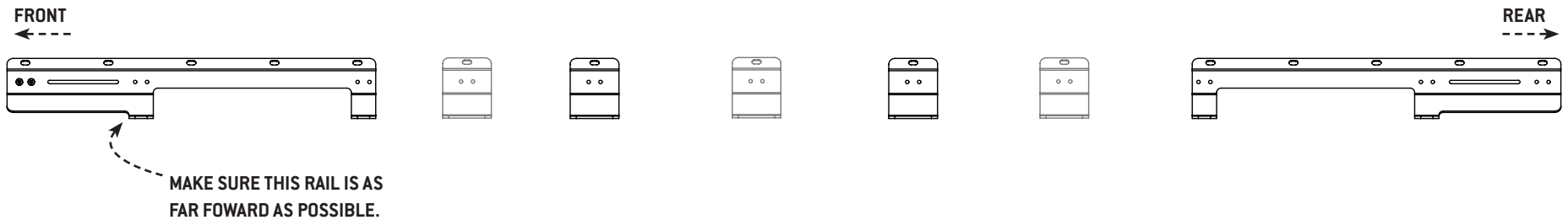


FIG 5

- TOOLS REQUIRED FOR THIS STEP:**
- + 7/32" ALLEN WRENCH
 - + 3/16" ALLEN WRENCH
 - + 5/32" ALLEN WRENCH

STEP | 02 INSTALL F80 KIT

2.1 Install to Crossbars and Roof Rail: Now you can start affixing the **Brackets** to the **Roof Rail** and **Crossbars**. Tighten the bolts to the **Crossbars** first (**FIG 6**), and then tighten down to the **Roof Rail** (**FIG 7**).

2.2 Layout Fiamma Mounting Brackets: Once you've tightened the brackets down you can place your **Fiamma Mounting Brackets** in their appropriate position. See **Figures 8 and 9** for detail. This is the last step, please refer to the fiamma guide to complete installation of your **Awning**.

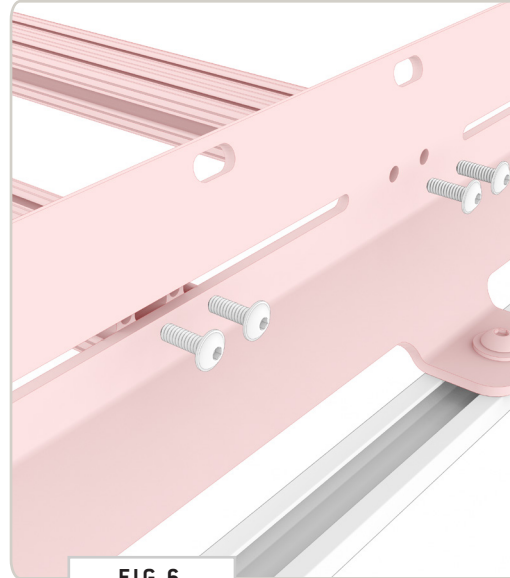


FIG 6

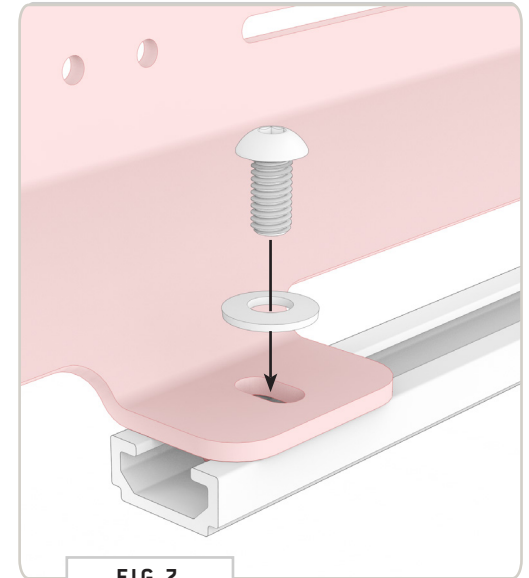
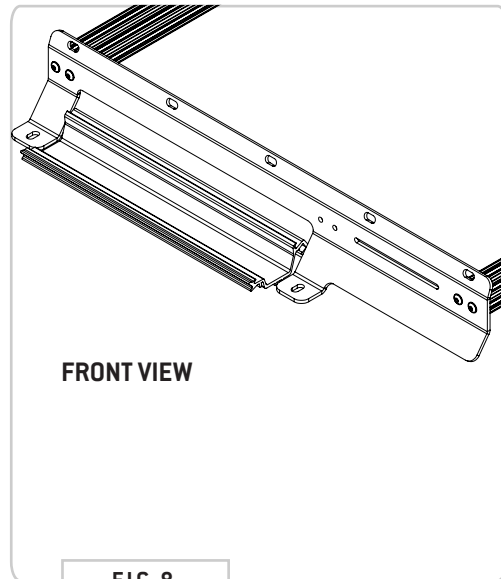
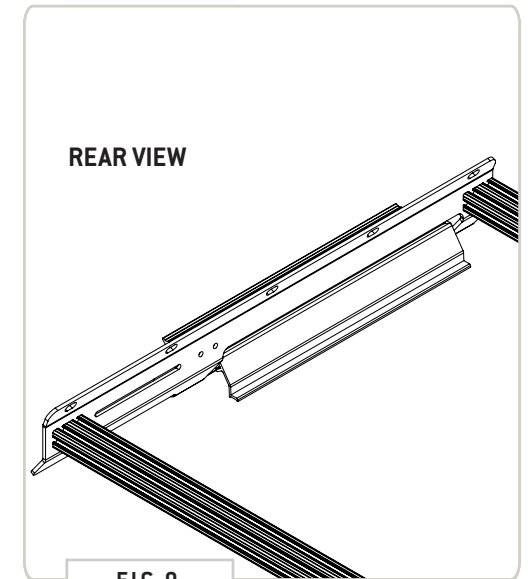


FIG 7



FRONT VIEW

FIG 8



REAR VIEW

FIG 9

GET OUT AND EXPLORE!

+ LEAVE US A REVIEW

Happy with your new FVC product? We would love to hear (and see) from you! Head to the product page and click "Leave Review." Add a short review and upload a few photos to be showcased on the product page.

+ SHARE YOUR PICS

We love seeing how our customers use their FVC products and following along with your adventures. Tag us in your photos with: @flatlinevanco or send them to us via email. We love posting customer pictures in our feed!

+ NEED ANY HELP?

If you are having any issues with your product, please reach out, and we will make it right. FVC is a company of van and outdoor enthusiasts that design and use our own products, so we want you to be as stoked on your new parts as we are!



@FLATLINEVANCO