



# INSTALLATION GUIDE

## PROMASTER VAN LOW PRO ROOF RACK - 159" HIGH ROOF EXT PM0103B



### TOOLS REQUIRED (NOT INCLUDED)

- + RATCHET
- + 7/16" WRENCH OR SOCKET
- + 1/2" WRENCH OR SOCKET
- + 5/32" ALLEN WRENCH
- + 3/16" ALLEN WRENCH

### INSTALL INFO

TIME TO INSTALL THIS PRODUCT: 1-2 HOURS

Additional help is suggested for a few of the install steps.

### BEFORE YOU START

Please inspect the product and packaging upon delivery to ensure there are no issues and that all parts and hardware are accounted for.

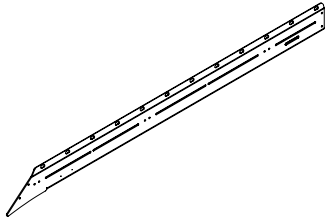
Contact us ASAP if anything is missing at:  
[support@flatlinevanco.com](mailto:support@flatlinevanco.com)

# BEFORE YOU START

All Flatline Van Co products must be properly assembled and secured before attaching to your vehicle. Improper attachment could result in an automobile accident, and could cause serious bodily injury or death to you or to others involved. You are responsible for assembling and securing Flatline Van Co products to your vehicle, checking the mounting points and attachments prior to use, and regularly inspecting the products for wear and or damage. We always recommend you use a professional to install any aftermarket accessories to your vehicle. If you have no mechanical experience and are not thoroughly familiar with the installation procedures, you must have the product installed by a professional installer or other qualified persons. The responsibility is yours and must be taken seriously for everyone's safety.

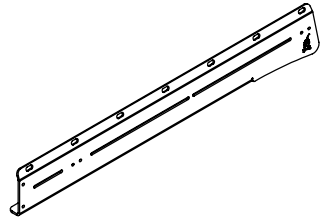


# PACKAGE CONTENTS



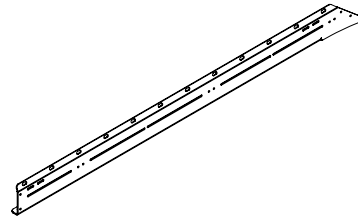
FRONT DRIVER RAIL

QTY: 1



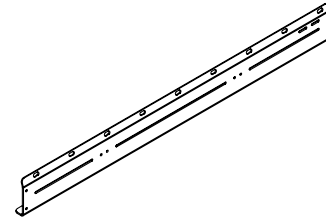
REAR DRIVER RAIL

QTY: 1



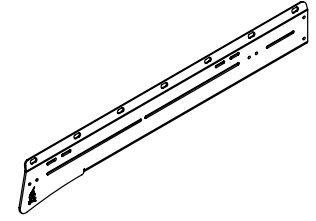
FRONT PASSENGER RAIL

QTY: 1



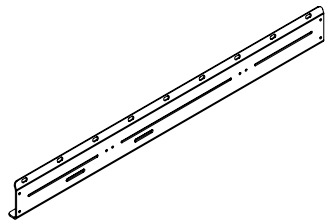
PASS MID RAIL

QTY: 1



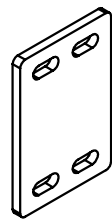
REAR PASSENGER RAIL

QTY: 1



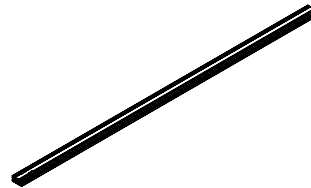
DRIVER MID RAIL

QTY: 1



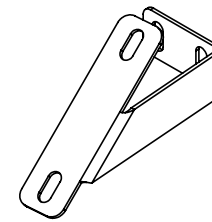
RAIL CONNECTING PLATES

QTY: 2



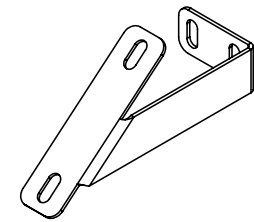
CROSSBARS

QTY: 7



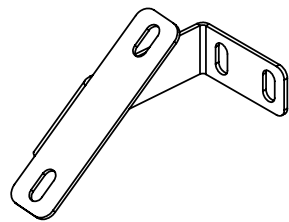
FAIRING BRACKET 2

QTY: 1



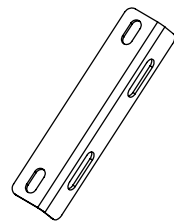
FAIRING BRACKET 3

QTY: 1



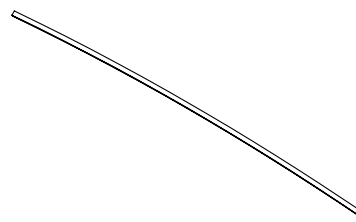
FAIRING BRACKET 4

QTY: 1



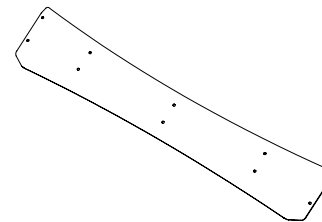
FAIRING BRACKET 1

QTY: 2



FAIRING GASKET

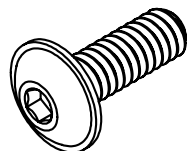
QTY: 1



FRONT FAIRING

QTY: 1

# HARDWARE



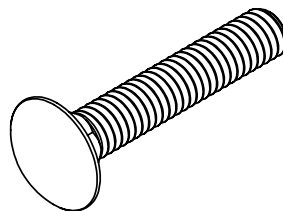
1/4-20 X 0.75  
FLANGED BUTTON  
HEAD HEX DRIVE

QTY: 46



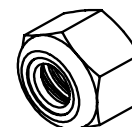
1/4-20 X 0.5 BUTTON  
HEAD HEX DRIVE  
SCREW

QTY: 6



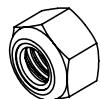
5/16-18 X 1.75  
SQUARE NECK  
CARRIAGE BOLT

QTY: 12



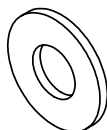
5/16-18  
NYLON INSERT  
LOCKNUT

QTY: 12



1/4-20 NYLON INSERT  
LOCKNUT

QTY: 22



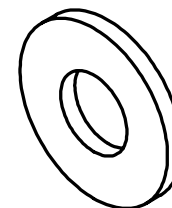
1/4" SCREW FLAT  
WASHER

QTY: 28



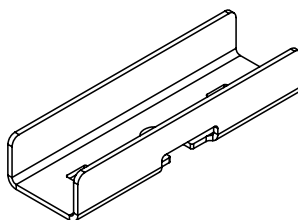
1/4" SCREW BELLEVILLE  
SPRING LOCK WASHER

QTY: 6



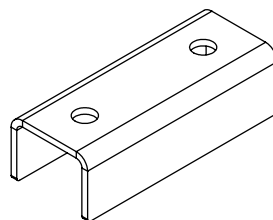
5/16" SCREW FLAT  
WASHER

QTY: 12



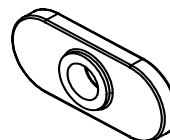
ANCHOR STUD BRACKET

QTY: 10



CLAMP BRACKET

QTY: 10



1/4-20 T-NUTS

QTY: 6

## STEP | 01 LANDING PAD INSTALL

**1.1 Install Anchor Stud Brackets:** Insert two 5/16-18 Carriage Bolts through an **Anchor Stud Bracket** (FIG 1) and slide the assembly into place along one of the **Anchor Stud** along the rooftop of the van (FIG 2).

**NOTE -** Slide the **Anchor Stud Bracket** under the **Anchor Stud** on the roof. For best results, slide it from the inside towards the outside of the van.

**1.2 Position Clamp Brackets:** Once all of the **Anchor Stud Brackets** have been placed, slide the **Clamp Bracket** down over the top of them as shown in FIG 3.

### TOOLS REQUIRED FOR THIS STEP:

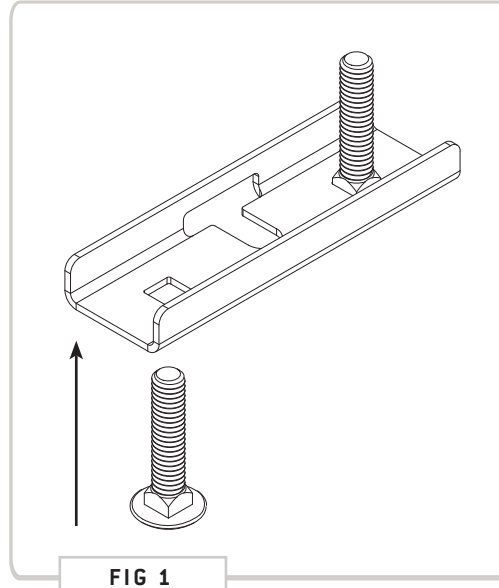


FIG 1

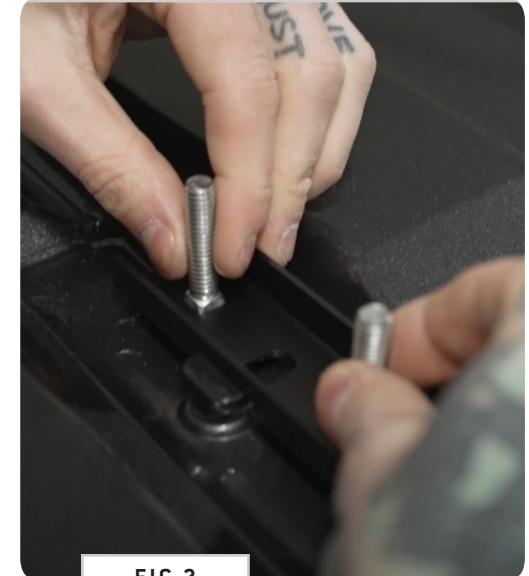


FIG 2



FIG 3

**TOOLS REQUIRED FOR THIS STEP:**

- + 7/16" WRENCH OR SOCKET
- + 5/32" ALLEN WRENCH
- + 3/16" ALLEN WRENCH

**STEP | 02 SIDE RAIL INSTALL**

**2.1 Install Side Rails:** Place the **Side Rails** onto the protruding **5/16" Carriage Bolts** and loosely secure them with **5/16" Washers and Nylock Locknuts** (FIG 4+5).

**2.2 Secure Rails With Connecting Plates:** Utilize **Rail Connecting Plates** to connect the front and rear rails together using **1/4"-20 Flanged Head Screws, Flat Washers and Nylock Locknuts** (FIG 6+7).



FIG 4

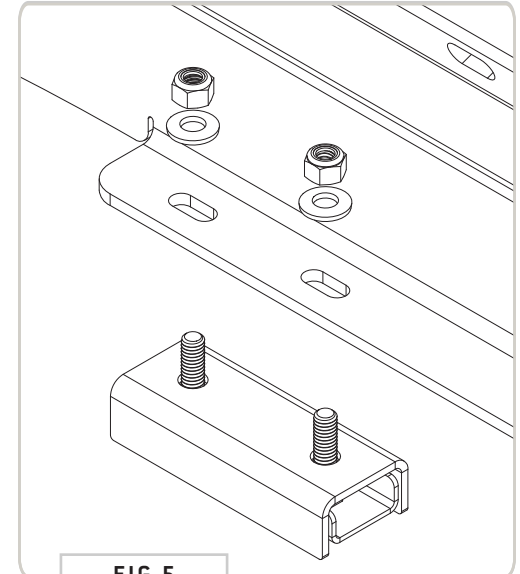


FIG 5



FIG 6

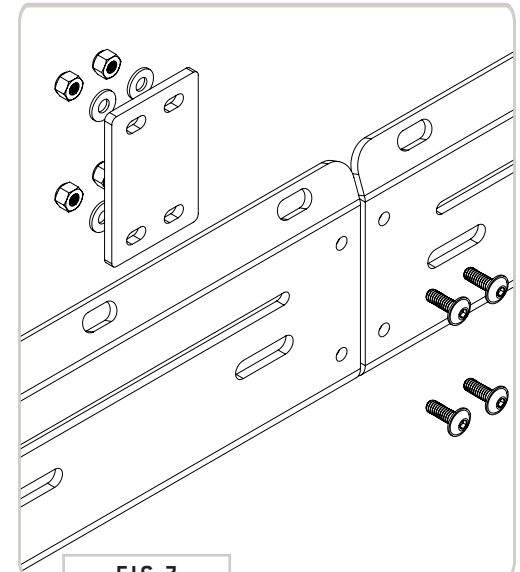


FIG 7

## STEP | 03 CROSSBAR INSTALL

**3.1 Layout Crossbar Locations:** Position the crossbars in your desired locations, loosely threading in the **1/4-20 Flange Head Screws** to hold in place (**FIG 8+9**).

**NOTE** - Leave one crossbar aside for mounting the fairing in the next step.

**TOOLS REQUIRED FOR THIS STEP:** + 3/16" ALLEN WRENCH  
+ 5/32" ALLEN WRENCH

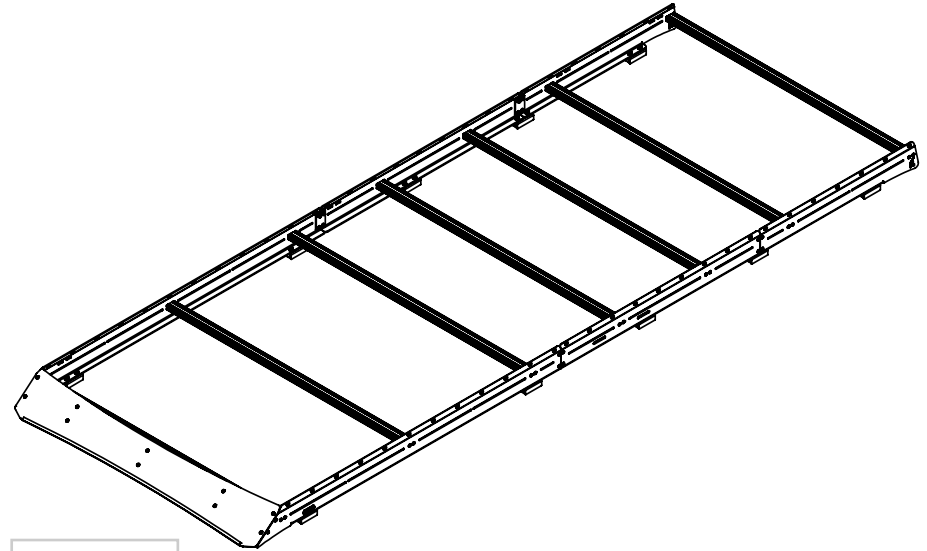


FIG 8



FIG 9



**TOOLS REQUIRED FOR THIS STEP:** + 5/32" ALLEN WRENCH  
 + 3/16" ALLEN WRENCH

## STEP | 04 FAIRING ASSEMBLY

**4.1 Fairing Assembly:** Loosely assemble the **Fairing Brackets** with (2ea) 1/4-20" Button Head Screws, Lock Washers and T-Nuts as shown in **FIG 10**. Slide the assemblies into the crossbar (**FIG 11**) along the locations shown in **FIG 12**.



FIG 10

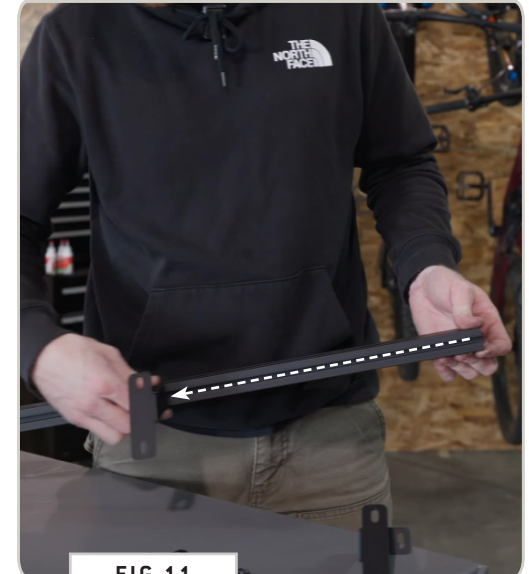


FIG 11

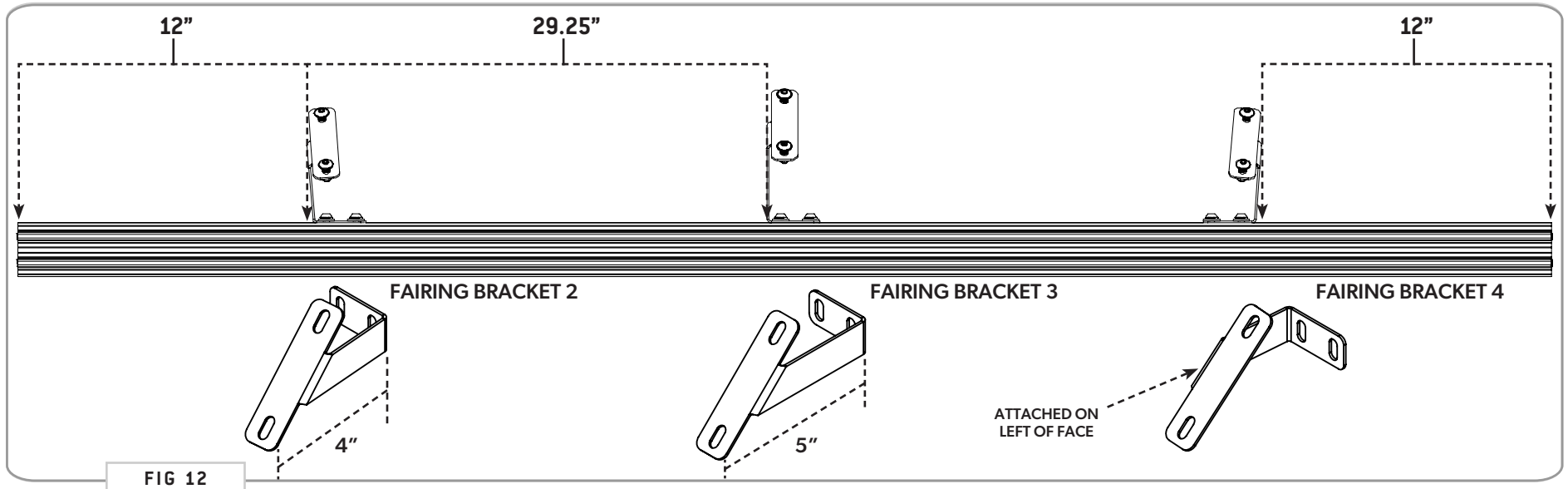


FIG 12



**TOOLS REQUIRED FOR THIS STEP:** + 5/32" ALLEN WRENCH  
+ 3/16" ALLEN WRENCH  
+ 7/16" WRENCH OR SOCKET

## STEP | 04 FAIRING ASSEMBLY

**4.2 Secure Fairing Brackets to Crossbar:** Align holes in face of **Fairing** to those of the **Fairing Brackets** to confirm correct fitment and secure to **Crossbar** by tightening down the **1/4"-20" Button Head Screws** (FIG 13).

**4.3 Attach Fairing:** Loosely attach the **Fairing** to the **Fairing Brackets** using **1/4"-20 Flanged Head Screws, Flat Washers and Nylock Locknuts** (FIG 14).

**4.4 Attach Fairing Brackets 1 and 5:** Loosely attach **Fairing Brackets 1 and 5** to the **Fairing Assembly** using **1/4"-20 Flanged Head Screws, Flat Washers and Nylock Locknuts**. Note that the flanged face of these Fairing Brackets will face outward as shown in FIG 15.

**4.5 Attach Trim Gasket:** Complete the assembly by attaching the **Trim Gasket** (FIG 16). Make sure that the "bulbed" side of the trim is facing the Crossbar, as that will be the part that sits against the van.

**PRO-TIP:** Gently tap the **Trim Gasket** using a mallet to seat it down tight against the **Fairing**.



FIG 13

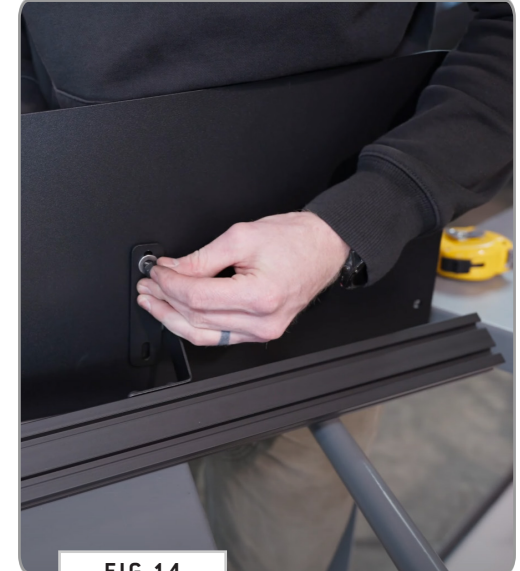


FIG 14



FIG 15

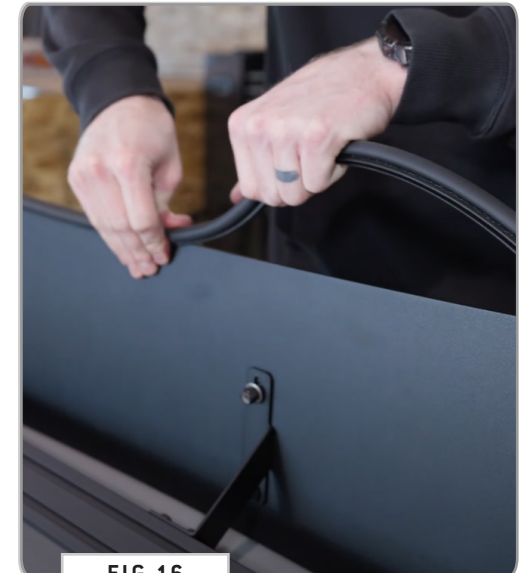


FIG 16

## STEP | 05 FAIRING INSTALL

**5.1 Install Fairing:** With help, lift the **Fairing Assembly** up to the front of your **Roof Rack** and gently lay it down on a soft surface (**FIG 17**).

**5.2 Tighten Fairing to Brackets:** There is a bit of adjustment built in to the **Fairing Brackets** so that you maintain a tight seal against the van body during install. Proceed to tighten down the fasteners holding the **Fairing** to the **Fairing Brackets** once you've determined an appropriate fit (**FIG 18**).

**5.3 Tighten Fairing to Side Rails:** Tighten down the fasteners holding the **Fairing Assembly** to the **Side Rails** (**FIG 19**).

**TOOLS REQUIRED FOR THIS STEP:**

- + 5/32" ALLEN WRENCH
- + 3/16" ALLEN WRENCH
- + 7/16" WRENCH OR SOCKET



FIG 17



FIG 18

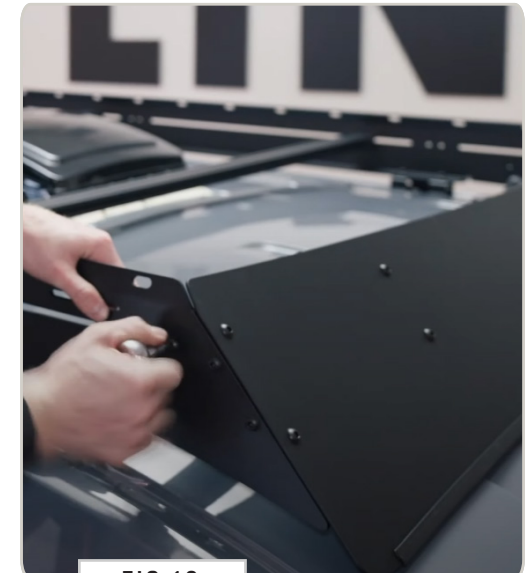


FIG 19

## STEP | 06 ADJUSTMENTS AND TUNING

**6.1 Secure Crossbars:** Begin tightening the **Crossbars** into place, starting with the front-most crossbar.

**6.2 Front-To-Back Adjustment:** Check to make sure you are happy with your alignment to the van Front-To-Back. Once you are happy with how the rack is aligned, proceed to tighten down fasteners holding the **Side Rails** to the **Landing Pads** (FIG 20).

**6.3 Fiamma Awning Install (Optional):** If installing a **Fiamma F45s Or Similar Awning**; we have conveniently placed **Mounting Holes** as shown in FIG 21 for you to bolt your support brackets to.

**TOOLS REQUIRED FOR THIS STEP:** + 3/16" ALLEN WRENCH  
+ 5/32" ALLEN WRENCH  
+ 7/16" WRENCH OR SOCKET



FIG 20

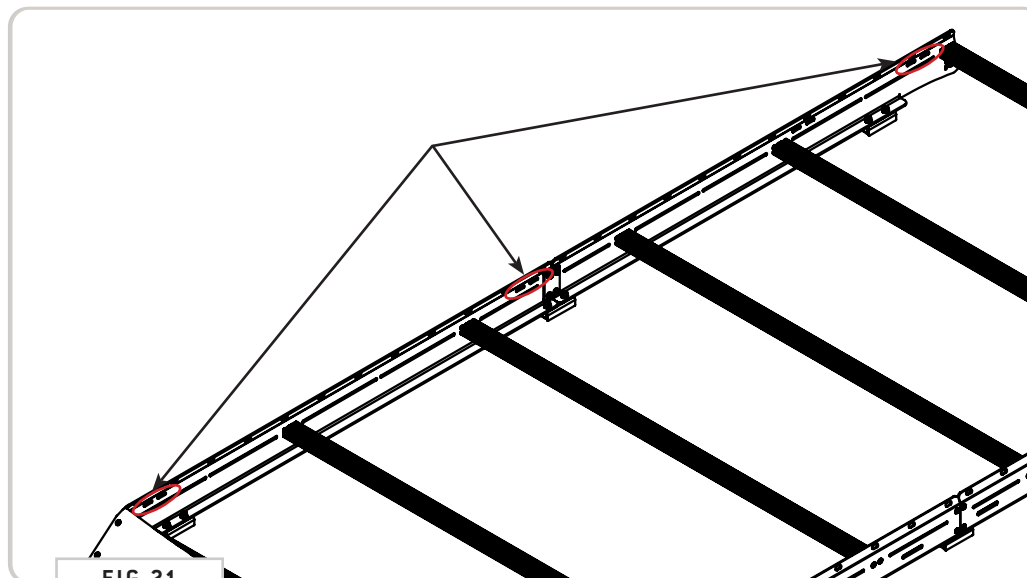


FIG 21

# GET OUT AND EXPLORE!

## + LEAVE US A REVIEW

---

Happy with your new FVC product? We would love to hear (and see) from you! Head to the product page and click "Leave Review." Add a short review and upload a few photos to be showcased on the product page.

## + SHARE YOUR PICS

---

We love seeing how our customers use their FVC products and following along with your adventures. Tag us in your photos with: @flatlinevanco or send them to us via email. We love posting customer pictures in our feed!

## + NEED ANY HELP?

---

If you are having any issues with your product, please reach out, and we will make it right. FVC is a company of van and outdoor enthusiasts that design and use our own products, so we want you to be as stoked on your new parts as we are!



@FLATLINEVANCO